



Chipsmall Limited consists of a professional team with an average of over 10 year of expertise in the distribution of electronic components. Based in Hongkong, we have already established firm and mutual-benefit business relationships with customers from,Europe,America and south Asia,supplying obsolete and hard-to-find components to meet their specific needs.

With the principle of “Quality Parts,Customers Priority,Honest Operation,and Considerate Service”,our business mainly focus on the distribution of electronic components. Line cards we deal with include Microchip,ALPS,ROHM,Xilinx,Pulse,ON,Everlight and Freescale. Main products comprise IC,Modules,Potentiometer,IC Socket,Relay,Connector.Our parts cover such applications as commercial,industrial, and automotives areas.

We are looking forward to setting up business relationship with you and hope to provide you with the best service and solution. Let us make a better world for our industry!



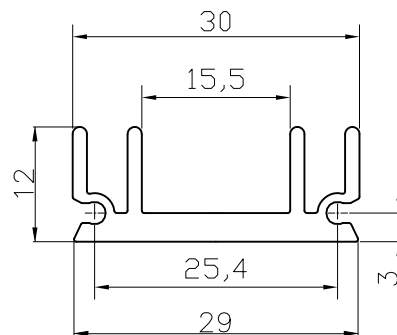
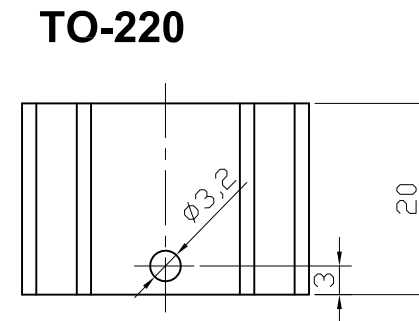
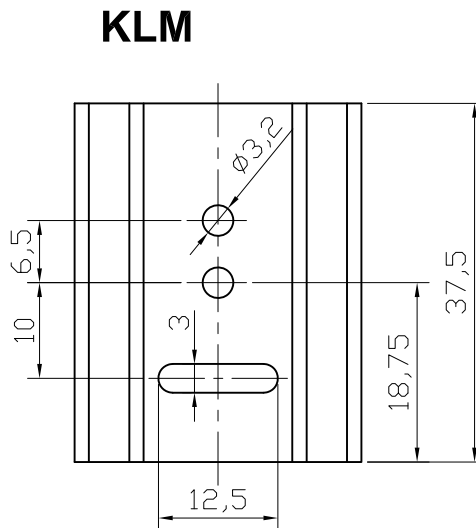
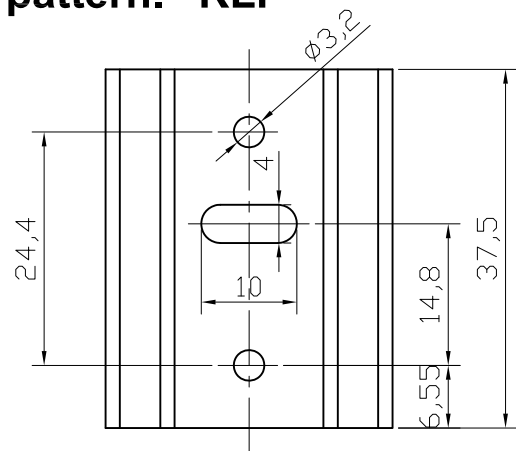
## Contact us

Tel: +86-755-8981 8866 Fax: +86-755-8427 6832

Email & Skype: info@chipsmall.com Web: www.chipsmall.com

Address: A1208, Overseas Decoration Building, #122 Zhenhua RD., Futian, Shenzhen, China






Material: AL6063-T5  
Finish: Black anodized

P/N	Hole pattern	Thermal resistance (K/W)
V6560N	TO-220	15
V6560K	KLP	13
V6560R	KLM	13

**RoHS compliant**  
Unit:mm

Scale	Free				Date	Name	Customer-No.
TOLERANCE					Drawn	16.01.2013	Amy
					Approved	16.01.2013	Amy
DIM	±0.25						
Angle	TOL	Id.	Modification	Date			
		©	Drawn	16.01.2013	Amy	ASSMANN WSW-No. V6560x	
						Drawing-No.	ASS 2067 HS
						Replace	rev00
							Sheet

**RoHS compliant**  
Unit:mm