



Chipsmall Limited consists of a professional team with an average of over 10 year of expertise in the distribution of electronic components. Based in Hongkong, we have already established firm and mutual-benefit business relationships with customers from,Europe,America and south Asia,supplying obsolete and hard-to-find components to meet their specific needs.

With the principle of “Quality Parts,Customers Priority,Honest Operation,and Considerate Service”,our business mainly focus on the distribution of electronic components. Line cards we deal with include Microchip,ALPS,ROHM,Xilinx,Pulse,ON,Everlight and Freescale. Main products comprise IC,Modules,Potentiometer,IC Socket,Relay,Connector.Our parts cover such applications as commercial,industrial, and automotives areas.

We are looking forward to setting up business relationship with you and hope to provide you with the best service and solution. Let us make a better world for our industry!



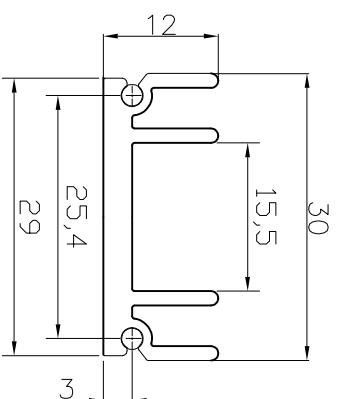
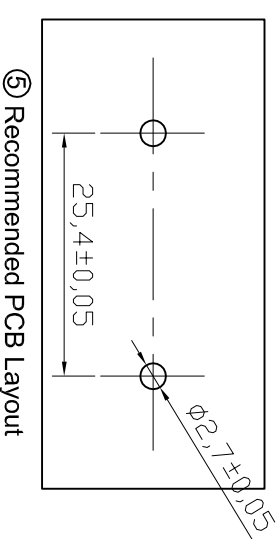
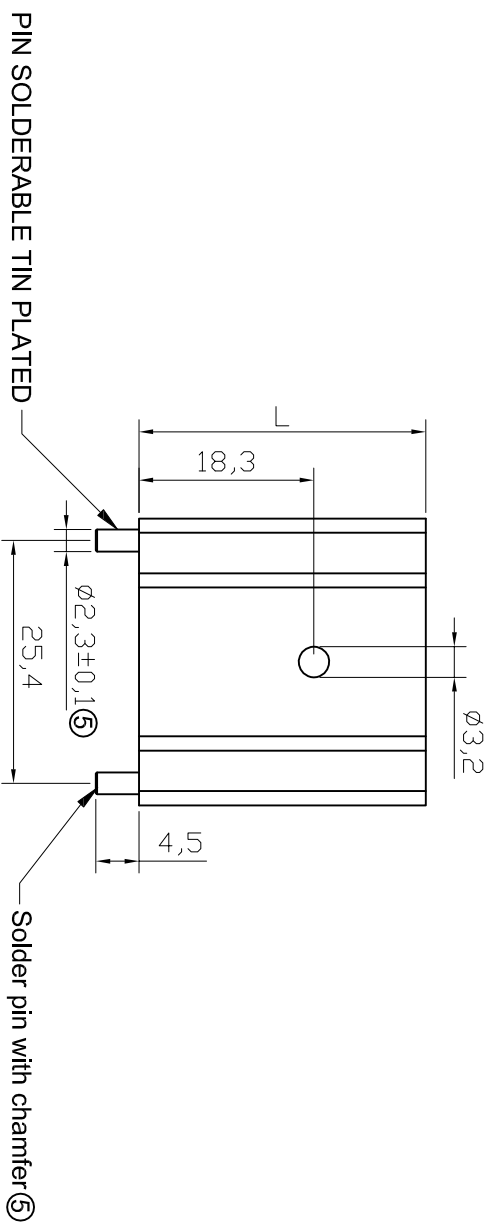
Contact us

Tel: +86-755-8981 8866 Fax: +86-755-8427 6832

Email & Skype: info@chipsmall.com Web: www.chipsmall.com

Address: A1208, Overseas Decoration Building, #122 Zhenhua RD., Futian, Shenzhen, China





Material: AL 6063 T5
Finish: Black anodize

P/N	L	Thermal resistance(K/W)
V/6560W	25MM	10
V/6560X	37.5MM	8
V/6560Y	50MM	7
V/6560W3	20MM	
V/6560X2	35MM	
V/6560W5	21MM	

ROHS compliant
Unit: mm

Scale	Free						
TOLERANCE							
X.	±X	⑤	Add PCB layout information	24.02.2014	Any	Drawn	17.11.2005
X.X	±X	④	Change production plant	07.06.2013	Any	Approved	24.02.2014
UNIT	±0.2	③	Modify drawing layout	10.03.2010	Alex		
DIM	Tol	②	Update	11.08.2009	Dean		
X.°	±X°	①	Drawn	17.11.2005	Storb		
X.X°	±X°						
Angle	TOL	Id.	Modification	Date	Name		

ASSMANN
components

ASSMANN WSW-No. V6560X
Drawing-No. ASS 0595 HS
Replace

1	2	3	4	5	6	7
A						
B						
C						
D						
E						
F						
G						
H						