



Chipsmall Limited consists of a professional team with an average of over 10 year of expertise in the distribution of electronic components. Based in Hongkong, we have already established firm and mutual-benefit business relationships with customers from,Europe,America and south Asia,supplying obsolete and hard-to-find components to meet their specific needs.

With the principle of “Quality Parts,Customers Priority,Honest Operation,and Considerate Service”,our business mainly focus on the distribution of electronic components. Line cards we deal with include Microchip,ALPS,ROHM,Xilinx,Pulse,ON,Everlight and Freescale. Main products comprise IC,Modules,Potentiometer,IC Socket,Relay,Connector.Our parts cover such applications as commercial,industrial, and automotives areas.

We are looking forward to setting up business relationship with you and hope to provide you with the best service and solution. Let us make a better world for our industry!



Contact us

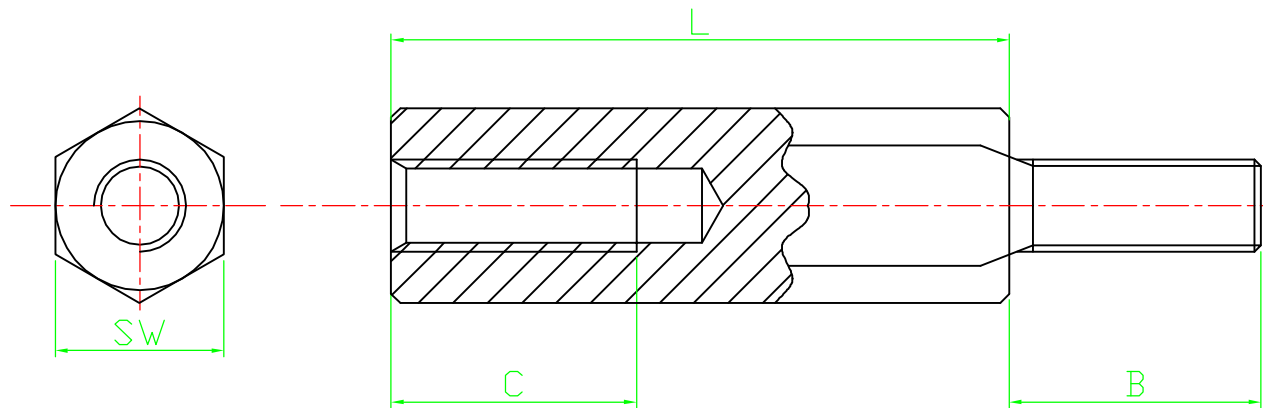
Tel: +86-755-8981 8866 Fax: +86-755-8427 6832

Email & Skype: info@chipsmall.com Web: www.chipsmall.com

Address: A1208, Overseas Decoration Building, #122 Zhenhua RD., Futian, Shenzhen, China




RoHS compliant



Width across flat(SW)5.5
Thread M3

Option	Dimensions		
	L	B	C min
A	5	8	2.5
B	8	8	5
C	10	8	6
D	12	8	8
E	15	8	8
F	18	8	8
G	20	8	8
H	25	8	8
K	30	8	8
L	35	8	8
M	40	8	8

Scale	1:1					Date	Name	Customer-No.
TOLERANCE						Drawn	20.08.2009	Dean
X.	±X					Approved	10.03.2010	Andy
X.X	±X							
X.XX	±X							
DIM	TOL	②	Modify drawing layout	10.03.2010	Dean			
X.°	±X°	①	Drawn	20.08.2009	Dean			
X.X°	±X°					Drawing-No.		ASS 0912 HS
Angle	TOL	ld.	Modification	Date	Name	Replace		rev02
								Sheet

Customer-No.		
ASSMANN WSW-No.		V6621x
Drawing-No.		ASS 0912 HS
Replace		Sheet

