



Chipsmall Limited consists of a professional team with an average of over 10 year of expertise in the distribution of electronic components. Based in Hongkong, we have already established firm and mutual-benefit business relationships with customers from,Europe,America and south Asia,supplying obsolete and hard-to-find components to meet their specific needs.

With the principle of "Quality Parts,Customers Priority,Honest Operation,and Considerate Service",our business mainly focus on the distribution of electronic components. Line cards we deal with include Microchip,ALPS,ROHM,Xilinx,Pulse,ON,Everlight and Freescale. Main products comprise IC,Modules,Potentiometer,IC Socket,Relay,Connector.Our parts cover such applications as commercial,industrial, and automotives areas.

We are looking forward to setting up business relationship with you and hope to provide you with the best service and solution. Let us make a better world for our industry!



Contact us

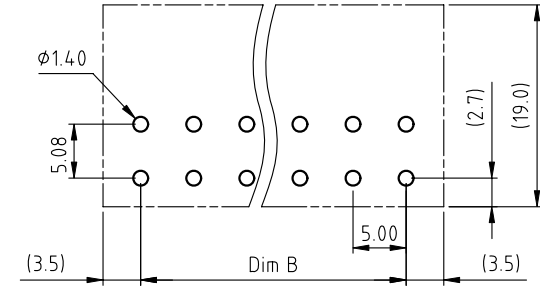
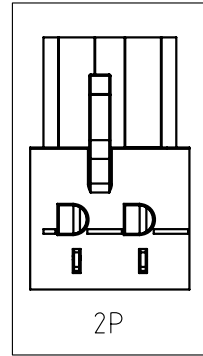
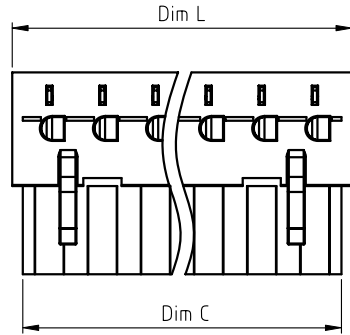
Tel: +86-755-8981 8866 Fax: +86-755-8427 6832

Email & Skype: info@chipsmall.com Web: www.chipsmall.com

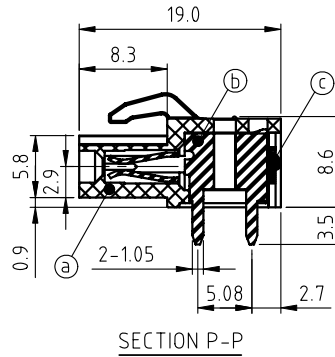
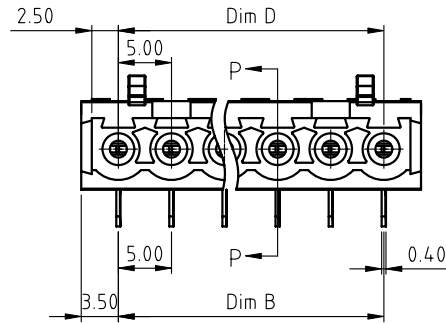
Address: A1208, Overseas Decoration Building, #122 Zhenhua RD., Futian, Shenzhen, China



PRODUCT NUMBER	PITCH
V7xx71x100J0G	5.00 mm



RECOMMENDED P.C.B LAYOUT
TOP VIEW



Material:

- Item ① Terminal body: Thermoplastic (UL94V-0)
- Item ② Female contact: PhBz(CuSn), Tin plated
- Item ③ Terminal cover: Thermoplastic (UL94V-0)

Electrical cULus

- Voltage rating: 300VAC
- Current rating: 10A
- Withstanding Voltage: 1.6kv
- Operating temperature: -40°C to +115°C
- Soldering temperature: 260°C±5°C/5 Sec
- Safety Approval: cULus

PART NO.: V7 xx 7 1 x 1 00J0 G

DIM		TOL				
		2P-5P	6P-10P	11P-15P	16P-20P	21P-24P
Dim L	N×5.0+2.0	±0.15	±0.20	±0.25	±0.30	±0.40
Dim B	(N-1)×5.0	±0.15	±0.20	±0.25	±0.30	±0.40
Dim C	N×5.0	0 -0.20		0 -0.30		
Dim D	(N-1)×5.0	±0.15	±0.20	±0.25	±0.30	±0.40

- Solid block
- No. of poles
- 02 2poles
- 03 3poles
-
- 24 24poles

- Color
- 0 Black (RAL9005)
 - 2 Red (RAL3001/D)
 - 3 Orange(RAL2011/P)
 - 4 Yellow(RAL1018/A)
 - 5 Green(RAL6018/T)
 - 6 Blue (RAL5015/A)
 - 8 Grey(RAL7035/D)
 - 9 White(RAL1102)
 - C Green(RAL6018/U)

RoHS compliant
(lead<4%)
In copper Alloy

mat'l. code		surface ASME Y14.5	tolerance ASME Y14.5	projection	product family TERMINAL BLOCK
ltr	ecn no	dr	date	 MM	title TERMINAL BLOCK PLUGGABLE PCB PLUG,RIGHT ANGLE
tolerances unless otherwise specified					
angles		X.±0.5		scale	dwg no V7xx71x100J0G
X*1°		X.XX±0.3			
dr		EVIN ZHONG	043014		size A4
engr		EVIN ZHONG	043014		type CUSTOMER Drawing
chr		HANKE FENG	043014		
appd		SHI JUN	043014		
sheet index	revision	A			
	sheet	1			