



Chipsmall Limited consists of a professional team with an average of over 10 year of expertise in the distribution of electronic components. Based in Hongkong, we have already established firm and mutual-benefit business relationships with customers from,Europe,America and south Asia,supplying obsolete and hard-to-find components to meet their specific needs.

With the principle of “Quality Parts,Customers Priority,Honest Operation,and Considerate Service”,our business mainly focus on the distribution of electronic components. Line cards we deal with include Microchip,ALPS,ROHM,Xilinx,Pulse,ON,Everlight and Freescale. Main products comprise IC,Modules,Potentiometer,IC Socket,Relay,Connector.Our parts cover such applications as commercial,industrial, and automotives areas.

We are looking forward to setting up business relationship with you and hope to provide you with the best service and solution. Let us make a better world for our industry!



Contact us

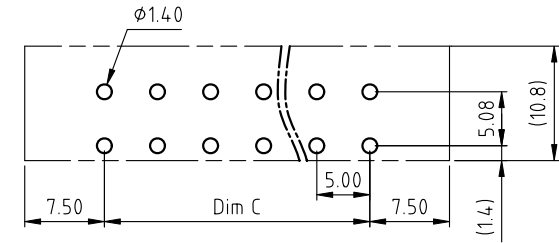
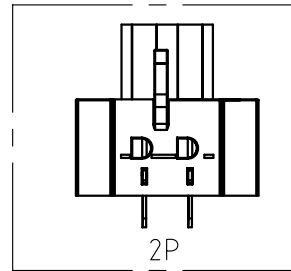
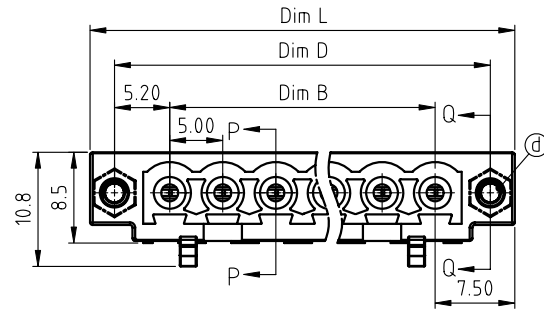
Tel: +86-755-8981 8866 Fax: +86-755-8427 6832

Email & Skype: info@chipsmall.com Web: www.chipsmall.com

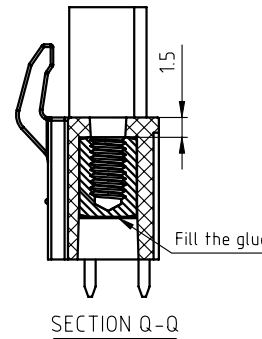
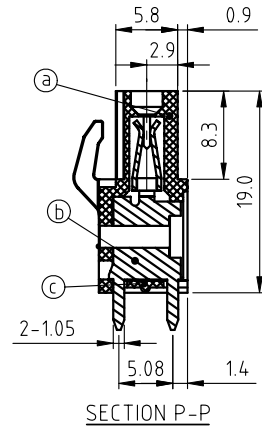
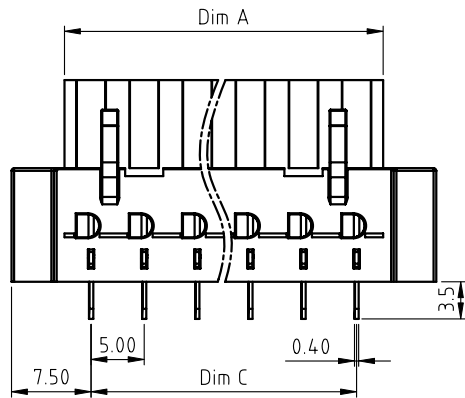
Address: A1208, Overseas Decoration Building, #122 Zhenhua RD., Futian, Shenzhen, China



PRODUCT NUMBER	PITCH
V7xx72x000J0G	5.00 mm



RECOMMENDED P.C.B LAYOUT
TOP VIEW



Material:

- Item ① Terminal housing: Thermoplastic (UL94V-0)
- Item ② Female contact: PhBz(CuSn), Tin plated
- Item ③ Terminal cover: Thermoplastic (UL94V-0)
- Item ④ Flange Nut: Brass M2.5

Electrical cULus

- Voltage rating: 300VAC
- Current rating: 10A
- Withstanding Voltage: 1.6kv
- Operating temperature: -40°C to +115°C
- Soldering temperature: 260°C±5°C/5 Sec
- Safety Approval:

N=Number of poles

Dim L=N×5.0+10.0

Dim A=N×5.0

Dim B=(N-1)×5.0

Dim C=(N-1)×5.0

Dim D=(N-1)×5.0+10.4

poles	Dim L	Dim A	Dim B	Dim C	Dim D
2-6p	±0.15	0	±0.15	±0.15	±0.15
7-12p	±0.20	-0.20	±0.20	±0.20	±0.20
13-18p	±0.30	0	±0.30	±0.30	±0.30
19-24p	±0.40	-0.30	±0.40	±0.40	±0.40

PART NO.: V7 xx 7 2 x 0 00J0 G

	Color	RoHS compliant
Solid block	0 Black (RAL9005)	(lead<4%)
No. of poles	2 Red (RAL3001/D)	In copper Alloy
02 2poles	3 Orange(RAL2011/P)	
03 3poles	4 Yellow(RAL1018/A)	
... ..	5 Green(RAL6018/T)	
24 24poles	6 Blue (RAL5015/A)	
	8 Grey(RAL7035/D)	
	9 White(RAL1102)	
	C Green(RAL6018/U)	

mat'l. code		surface ASME Y14.5	tolerance ASME Y14.5	projection	product family TERMINAL BLOCK
ltr	ecn no	dr	date	 MM	title TERMINAL BLOCK
tolerances unless otherwise specified					
angles		X.±0.5		scale	PLUGGABLE PCB PLUG, WITH FLANGE, VERTICAL
X*±1°		X.XX±0.1			
dr	ENGR	chr	appd		sheet 1 of 1 size V7xx72x000J0G A4 type CUSTOMER Drawing
EVIN ZHONG	043014	HANKE FENG	SHI JUN		
EVIN ZHONG	043014				
sheet index	revision sheet	A	1		