



Chipsmall Limited consists of a professional team with an average of over 10 year of expertise in the distribution of electronic components. Based in Hongkong, we have already established firm and mutual-benefit business relationships with customers from,Europe,America and south Asia,supplying obsolete and hard-to-find components to meet their specific needs.

With the principle of “Quality Parts,Customers Priority,Honest Operation,and Considerate Service”,our business mainly focus on the distribution of electronic components. Line cards we deal with include Microchip,ALPS,ROHM,Xilinx,Pulse,ON,Everlight and Freescale. Main products comprise IC,Modules,Potentiometer,IC Socket,Relay,Connector.Our parts cover such applications as commercial,industrial, and automotives areas.

We are looking forward to setting up business relationship with you and hope to provide you with the best service and solution. Let us make a better world for our industry!



## Contact us

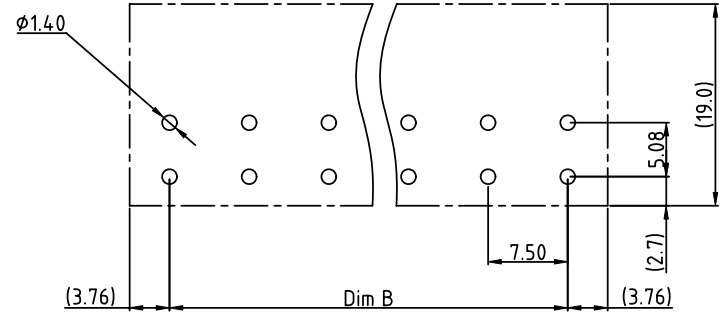
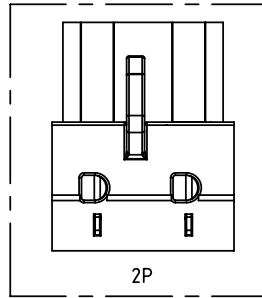
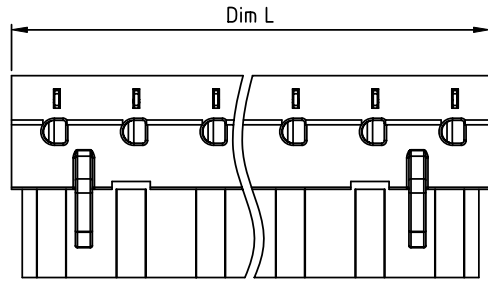
Tel: +86-755-8981 8866 Fax: +86-755-8427 6832

Email & Skype: info@chipsmall.com Web: www.chipsmall.com

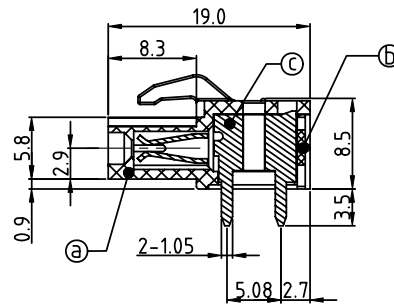
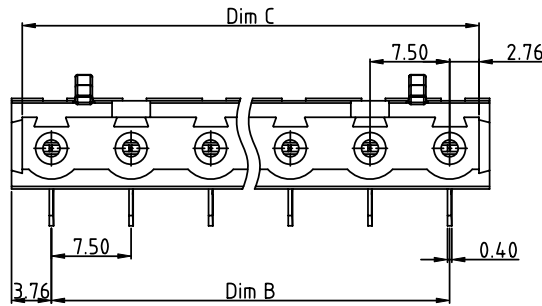
Address: A1208, Overseas Decoration Building, #122 Zhenhua RD., Futian, Shenzhen, China



PRODUCT NUMBER	PITCH
V7xxA1x100J0G	7.50 mm



RECOMMENDED P.C.B LAYOUT  
TOP VIEW



Material:

- Item ① Terminal body: Thermoplastic (UL94V-0)
- Item ② Terminal Cover: Thermoplastic (UL94V-0)
- Item ③ Female contact: PhBz(CuSn), Tin plated

Electrical cULus

- Voltage rating: 300VAC
- Current rating: 10A
- Withstanding Voltage: 1.6kv
- Operating temperature: -40°C to +115°C
- Soldering temperature: 260°C±5°C/5 Sec
- Safety Approval:

PART NO.: V7 xx A 1 x 1 00J0 G

N=Number of poles  
Dim L=(N-1)×7.50+7.52  
Dim B=(N-1)×7.50  
Dim C=(N-1)×7.50+5.52

poles	Tolerance
2-5p	±0.15
6-10p	±0.25
11-16p	±0.35

Solid block	No. of poles	Color	RoHS compliant
0	2	Black (RAL9005)	lead<4% In copper Alloy
2	3	Red (RAL3001/D)	
02	3	Orange(RAL2011/P)	
03	4	Yellow(RAL1018/A)	
...	5	Green(RAL6018/T)	
16	6	Blue (RAL5015/A)	
	8	Grey(RAL7035/D)	
	9	White(RAL1102)	
	C	Green(RAL6018/U)	

mat'l. code		surface ASME Y14.5	tolerance ASME Y14.5	projection	product family TERMINAL BLOCK
ltr	ecn no	dr	date		title TERMINAL BLOCK
tolerances unless otherwise specified				MM	PLUGGABLE PCB PLUG, WITH FLANGE, RIGHT ANGLE
angles				scale	dwg no
X°±1'				X.XX±0.1	sheet 1 of 1
dr				EVIN ZHONG	043014
enr				EVIN ZHONG	043014
chr				HANKE FENG	043014
appd				SHI JUN	043014
sheet index		revision	A	FCI	
sheet		1		V7xxA1x100J0G	
				type CUSTOMER Drawing	
				size A4	