



Chipsmall Limited consists of a professional team with an average of over 10 year of expertise in the distribution of electronic components. Based in Hongkong, we have already established firm and mutual-benefit business relationships with customers from,Europe,America and south Asia,supplying obsolete and hard-to-find components to meet their specific needs.

With the principle of “Quality Parts,Customers Priority,Honest Operation,and Considerate Service”,our business mainly focus on the distribution of electronic components. Line cards we deal with include Microchip,ALPS,ROHM,Xilinx,Pulse,ON,Everlight and Freescale. Main products comprise IC,Modules,Potentiometer,IC Socket,Relay,Connector.Our parts cover such applications as commercial,industrial, and automotives areas.

We are looking forward to setting up business relationship with you and hope to provide you with the best service and solution. Let us make a better world for our industry!



Contact us

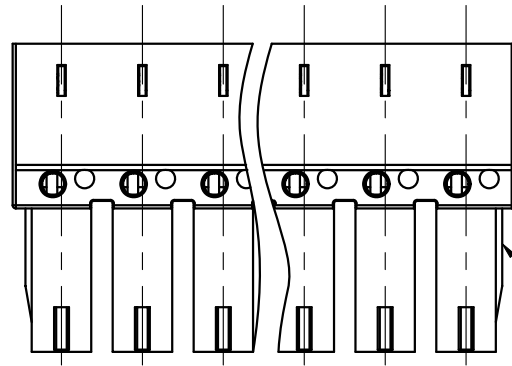
Tel: +86-755-8981 8866 Fax: +86-755-8427 6832

Email & Skype: info@chipsmall.com Web: www.chipsmall.com

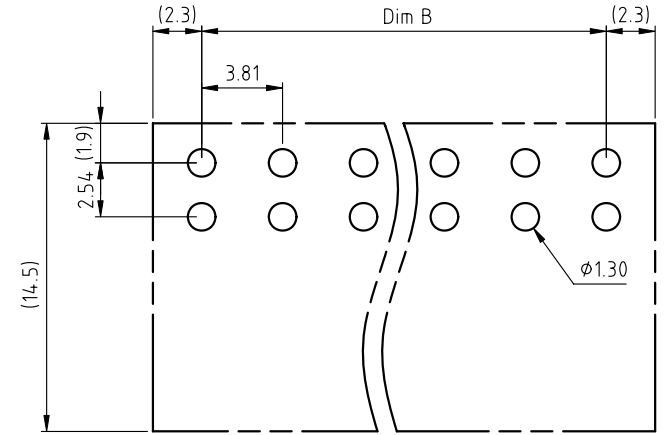
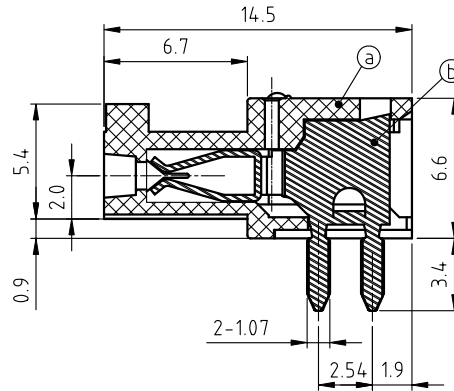
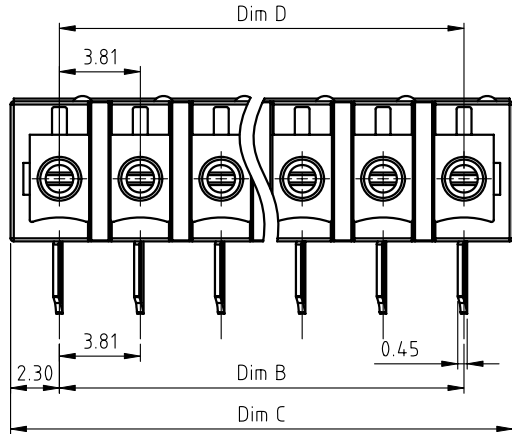
Address: A1208, Overseas Decoration Building, #122 Zhenhua RD., Futian, Shenzhen, China



PRODUCT NUMBER	PITCH
V7xx31x100J0G	3.81 mm



2P to 6P with wedge,
above 7P without wedge



RECOMMENDED P.C.B. LAYOUT
TOP VIEW

- Material:
- Item (a) Terminal body: Thermoplastic (UL94V-0)
 - Item (b) Female contact: PhBz(CuSn), Tin plated

- Electrical cULus
- Voltage rating: 300V AC
 - Current rating: 8A
 - Withstanding Voltage: 1.6kv
 - Operating temperature: -40°C to +115°C
 - Soldering temperature: 260°C±5°C/5 Sec
 - Safety Approval: cULus

DIMENSION

Dim B	(N-1)×3.81
Dim C	(N-1)×3.81+4.6
Dim D	(N-1)×3.81

N=Number of poles

Poles	Tolerance
2p-5p	±0.10
6p-10p	±0.15
11p-15p	±0.20
16p-20p	±0.25
21p-24p	±0.30

PART NO.: V7 xx 3 1 x 1 00J0 G

Solid block	0	Color	0	Black (RAL9005)	RoHS compliant (lead<4%) In copper Alloy
No. of poles	2		2	Red (RAL3001/D)	
	02		3	Orange(RAL2011/P)	
	03		4	Yellow(RAL1018/A)	
	...		5	Green(RAL6018/T)	
	24		6	Blue (RAL5015/A)	
			8	Grey(RAL7035/D)	
			9	White(RAL1102)	
			C	Green(RAL6018/U)	

mat'l. code				surface ASME Y14.5	tolerance ASME Y14.5	projection 	product family TERMINAL BLOCK
ltr	ecn no	dr	date	tolerances unless otherwise specified		MM	title TERMINAL BLOCK
				angles X°±1°	X.±0.5 X.X±0.3 X.XX±0.1		scale PLUGGABLE PCB PLUG,RIGHT ANGLE
		dr	EVIN ZHONG	043014		sheet 1 of 1 size A4	dwg no V7xx31x100J0G
		enrg	EVIN ZHONG	043014			
		chr	HANKE FENG	043014			
		appd	SHI JUN	043014			
sheet index	revision sheet	A	1				type CUSTOMER Drawing