



Chipsmall Limited consists of a professional team with an average of over 10 year of expertise in the distribution of electronic components. Based in Hongkong, we have already established firm and mutual-benefit business relationships with customers from,Europe,America and south Asia,supplying obsolete and hard-to-find components to meet their specific needs.

With the principle of “Quality Parts,Customers Priority,Honest Operation,and Considerate Service”,our business mainly focus on the distribution of electronic components. Line cards we deal with include Microchip,ALPS,ROHM,Xilinx,Pulse,ON,Everlight and Freescale. Main products comprise IC,Modules,Potentiometer,IC Socket,Relay,Connector.Our parts cover such applications as commercial,industrial, and automotives areas.

We are looking forward to setting up business relationship with you and hope to provide you with the best service and solution. Let us make a better world for our industry!



## Contact us

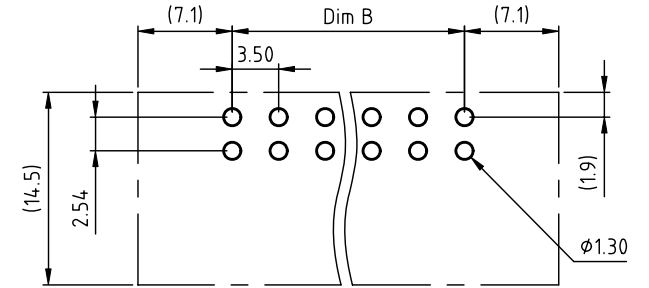
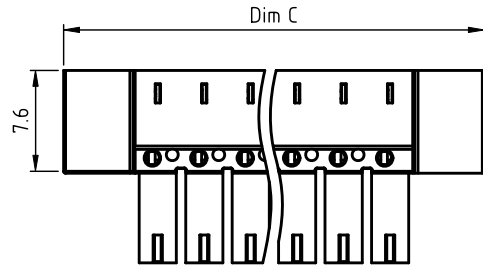
Tel: +86-755-8981 8866 Fax: +86-755-8427 6832

Email & Skype: info@chipsmall.com Web: www.chipsmall.com

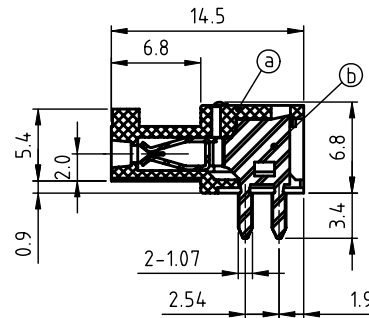
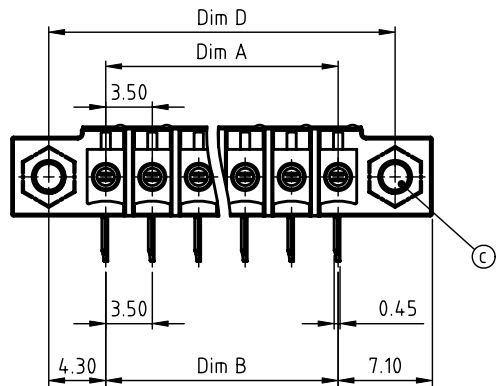
Address: A1208, Overseas Decoration Building, #122 Zhenhua RD., Futian, Shenzhen, China



PRODUCT NUMBER	PITCH
V7xx12x100J0G	3.50 mm



RECOMMENDED P.C.B LAYOUT  
TOP VIEW



Material:

- Item Ⓐ Terminal body: Thermoplastic (UL94V-0)
- Item Ⓓ Female contact: PhBz(CuSn), Tin plated
- Item Ⓒ With Flange Nut :Brass M2.5

Electrical cULus

- Voltage rating: 300V AC
- Current rating: 4A
- Withstanding Voltage: 1.6kv
- Operating temperature: -40°C to +115°C
- Soldering temperature: 260°C±5°C/5 Sec
- Safety Approval:

N=Number of poles  
 Dim A=(N-1)x3.5  
 Dim B=(N-1)x3.5  
 Dim C=(N-1)x3.5+14.2  
 Dim D=(N-1)x3.5+8.6

poles	Tolerance
2-5p	±0.10
6-10p	±0.15
11-15p	±0.20
16-20p	±0.25
21-24p	±0.30

PART NO.: V7 xx 12 x 1 00J0 G

	Solid block	No. of poles	Color	RoHS compliant (lead<4%) In copper Alloy
0	Black (RAL9005)	2	Red (RAL3001/D)	
02	2poles	3	Orange(RAL2011/P)	
03	3poles	4	Yellow(RAL1018/A)	
...	...	5	Green(RAL6018/T)	
24	24poles	6	Blue (RAL5015/A)	
		8	Grey(RAL7035/D)	
		9	White(RAL1102)	
		C	Green(RAL6018/U)	

mat'l. code		surface ASME Y14.5	tolerance ASME Y14.5	projection 	product family TERMINAL BLOCK
ltr	ecn no	dr	date	tolerances unless otherwise specified	title TERMINAL BLOCK
				angles $X \pm 1^\circ$	PLUGGABLE PCB PLUG, WITH FLANGE, RIGHT ANGLE
				scale MM	dwg no V7xx12x100J0G
		dr	EVIN ZHONG	043014	sheet 1 of 1 size A4
		enr	EVIN ZHONG	043014	FCI CUSTOMER Drawing
		chr	HANKE FENG	043014	
		appd	SHI JUN	043014	
sheet index	revision sheet	A	1		