



Chipsmall Limited consists of a professional team with an average of over 10 year of expertise in the distribution of electronic components. Based in Hongkong, we have already established firm and mutual-benefit business relationships with customers from,Europe,America and south Asia,supplying obsolete and hard-to-find components to meet their specific needs.

With the principle of “Quality Parts,Customers Priority,Honest Operation,and Considerate Service”,our business mainly focus on the distribution of electronic components. Line cards we deal with include Microchip,ALPS,ROHM,Xilinx,Pulse,ON,Everlight and Freescale. Main products comprise IC,Modules,Potentiometer,IC Socket,Relay,Connector.Our parts cover such applications as commercial,industrial, and automotives areas.

We are looking forward to setting up business relationship with you and hope to provide you with the best service and solution. Let us make a better world for our industry!



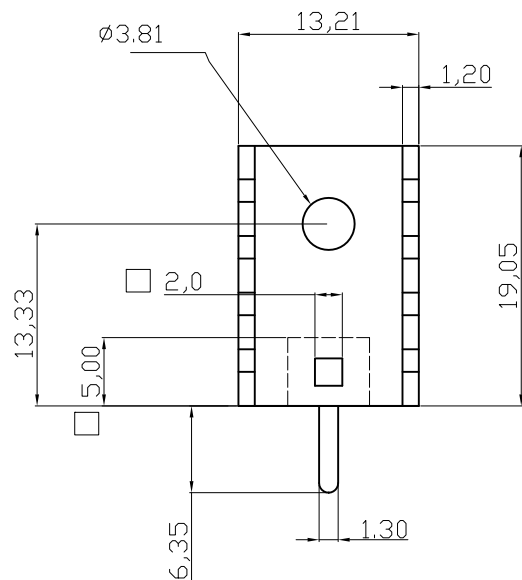
Contact us

Tel: +86-755-8981 8866 Fax: +86-755-8427 6832

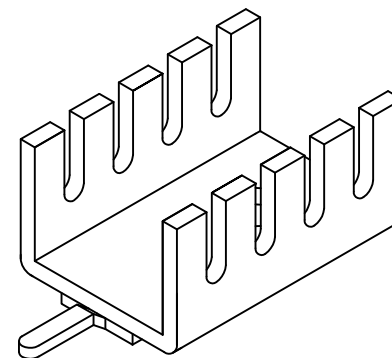
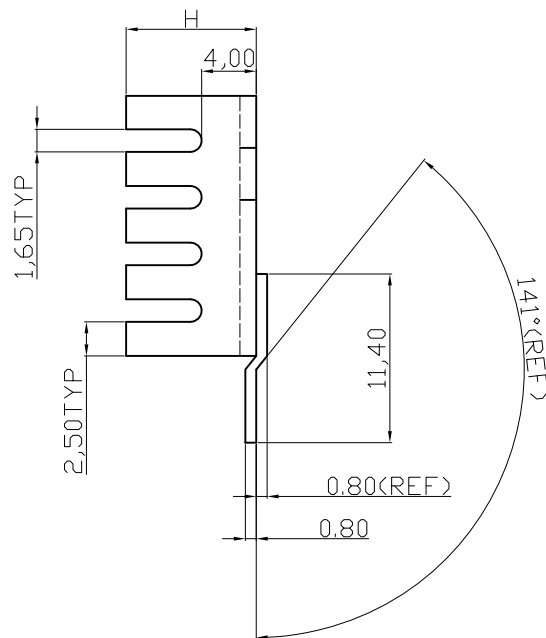
Email & Skype: info@chipsmall.com Web: www.chipsmall.com

Address: A1208, Overseas Decoration Building, #122 Zhenhua RD., Futian, Shenzhen, China





PIN MATERIAL:BRASS TIN PLATED



Notes
Material : ALUMINUM 1100 T=1.2
Finished : Black anodize

Option	H	Thermal resistance
④ V7237A	6.35	28
V7237B	9.53	24
V7237C	12.70	21

RoHS compliant
Unit: mm

Scale	UNIT	TOLERANCE	Id.	Modification	Date	Name	Replace	Sheet
FREE	±0.2		⑤	Change production plant	31.10.2013	Amy	Drawn	08.03.2002
			④	Add P/N	21.10.2013	A.Platt	Approved	31.10.2013
			③	Modify drawing layout	10.03.2010	Alex		
DIM	TOL		②	Update	11.08.2009	Dean		
X.°	±X°		①	Drawn	08.03.2002	Hellwig		
X.X°	±X°							
Angle	TOL							



Customer-No.	
ASSMANN WSW-No. V7237x	
Drawing-No. ASS 0513 HS	rev05
Replace	Sheet

	1	2	3	4	5	6	7		
A									A
B									B
C									C
D									D
E									E
F									F
G									G
H									H
	1	2	3	4	5	6	7		