



Chipsmall Limited consists of a professional team with an average of over 10 year of expertise in the distribution of electronic components. Based in Hongkong, we have already established firm and mutual-benefit business relationships with customers from,Europe,America and south Asia,supplying obsolete and hard-to-find components to meet their specific needs.

With the principle of “Quality Parts,Customers Priority,Honest Operation,and Considerate Service”,our business mainly focus on the distribution of electronic components. Line cards we deal with include Microchip,ALPS,ROHM,Xilinx,Pulse,ON,Everlight and Freescale. Main products comprise IC,Modules,Potentiometer,IC Socket,Relay,Connector.Our parts cover such applications as commercial,industrial, and automotives areas.

We are looking forward to setting up business relationship with you and hope to provide you with the best service and solution. Let us make a better world for our industry!



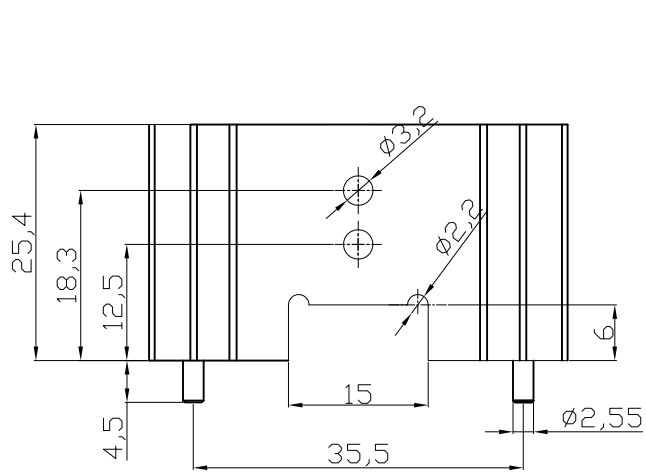
Contact us

Tel: +86-755-8981 8866 Fax: +86-755-8427 6832

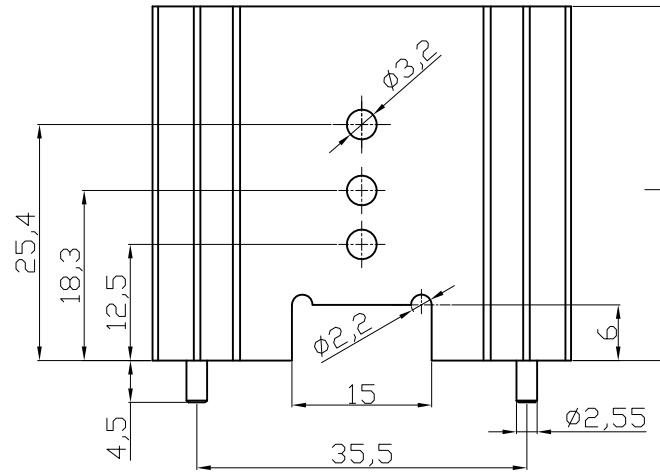
Email & Skype: info@chipsmall.com Web: www.chipsmall.com

Address: A1208, Overseas Decoration Building, #122 Zhenhua RD., Futian, Shenzhen, China

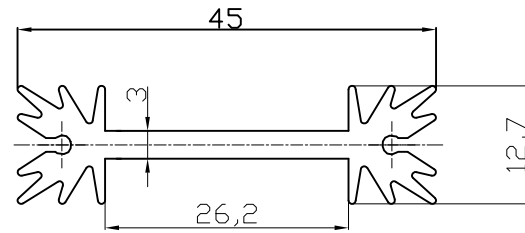




V7466W



V7466X/Y/Z



Material : AL 6063-T5
Finished: Black Anozied

Option	L	Thermal resistance(K/W)
V7466W	25.4	8.2
V7466X	38.1	7
V7466Y	50.8	6.2
V7466Z	63.5	5.6

RoHS compliant
Unit: mm

Scale	FREE						Date	Name	Customer-No.
TOLERANCE						Drawn	31.10.2008	Storb	
X.	±X	④	Change production plant	07.06.2013	Amy	Approved	07.06.2013	Amy	ASSMANN WSW-No.
X.X	±X	③	Modify drawing layout	08.03.2010	Dean				V7466x
UNIT	±0.2	②	Update	11.08.2009	Dean				Drawing-No.
DIM	Tol	①	Drawn	11.08.2009	Storb				ASS 0527 HS
X.°	±X°								rev04
X.X°	±X°								Sheet
Angle	TOL	Id.	Modification	Date	Name			Replace	



Customer-No.	
ASSMANN WSW-No.	V7466x
Drawing-No.	ASS 0527 HS
Replace	rev04
Sheet	