



Chipsmall Limited consists of a professional team with an average of over 10 year of expertise in the distribution of electronic components. Based in Hongkong, we have already established firm and mutual-benefit business relationships with customers from,Europe,America and south Asia,supplying obsolete and hard-to-find components to meet their specific needs.

With the principle of “Quality Parts,Customers Priority,Honest Operation,and Considerate Service”,our business mainly focus on the distribution of electronic components. Line cards we deal with include Microchip,ALPS,ROHM,Xilinx,Pulse,ON,Everlight and Freescale. Main products comprise IC,Modules,Potentiometer,IC Socket,Relay,Connector.Our parts cover such applications as commercial,industrial, and automotives areas.

We are looking forward to setting up business relationship with you and hope to provide you with the best service and solution. Let us make a better world for our industry!



Contact us

Tel: +86-755-8981 8866 Fax: +86-755-8427 6832

Email & Skype: info@chipsmall.com Web: www.chipsmall.com

Address: A1208, Overseas Decoration Building, #122 Zhenhua RD., Futian, Shenzhen, China



1

2

3

4

5

6

7

A

B

C

D

E

F

G

H

A

B

C

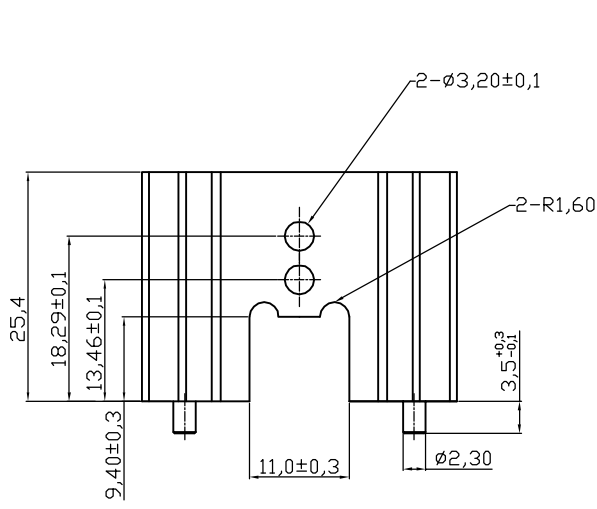
D

E

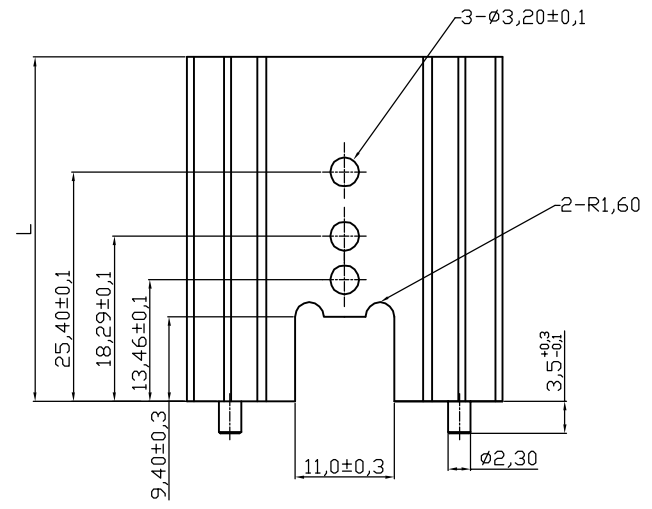
F

G

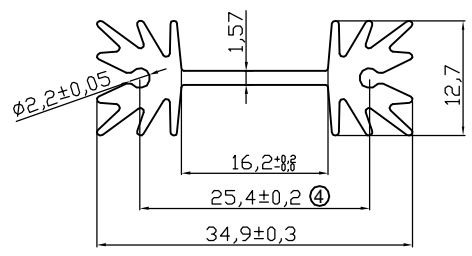
H



V7477W



V7477X/Y/Z



Material : AL 6063-T5
 PIN: CRS Tin Plated
 Finished: Black anozied
 Unmarked round angle R is 5mm.

Option	L	Thermal resistance(K/W)
V7477W	25.4	14
V7477X	38.1	11
V7477Y	50.8	9
V7477Z	63.5	7

RoHS compliant
 Unit: mm

Scale	FREE					Date	Name	
TOLERANCE		⑤	Change production plant	07.06.2013	Amy	Drawn	09.05.2011	Dean
X.	±X	④	Modify Dimention	09.05.2011	Jason	Approved	07.06.2013	Amy
X.X	±X	③	Modify Dimention	20.07.2010	Alex			
UNIT	±0.2	②	Modify drawing layout	08.03.2010	Dean			
DIM	Tol	①	Drawn	11.08.2009	Dean			
X.°	±X°							
X.X°	±X°							
Angle	TOL	Id.	Modification	Date	Name			

Customer-No.	
ASSMANN WSW-No. V7477x	
Drawing-No.	rev05
ASS 0866 HS	Sheet
Replace	

1

2

3

4

5

6

7