



Chipsmall Limited consists of a professional team with an average of over 10 year of expertise in the distribution of electronic components. Based in Hongkong, we have already established firm and mutual-benefit business relationships with customers from,Europe,America and south Asia,supplying obsolete and hard-to-find components to meet their specific needs.

With the principle of “Quality Parts,Customers Priority,Honest Operation,and Considerate Service”,our business mainly focus on the distribution of electronic components. Line cards we deal with include Microchip,ALPS,ROHM,Xilinx,Pulse,ON,Everlight and Freescale. Main products comprise IC,Modules,Potentiometer,IC Socket,Relay,Connector.Our parts cover such applications as commercial,industrial, and automotives areas.

We are looking forward to setting up business relationship with you and hope to provide you with the best service and solution. Let us make a better world for our industry!



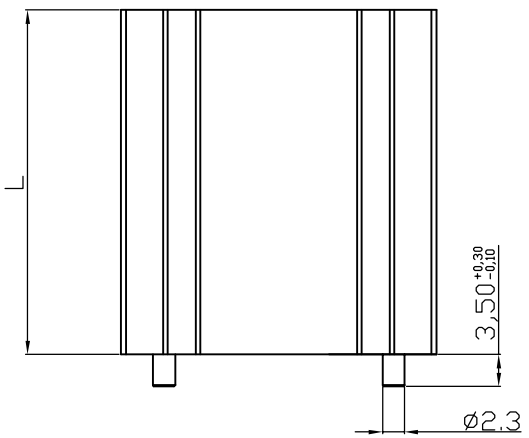
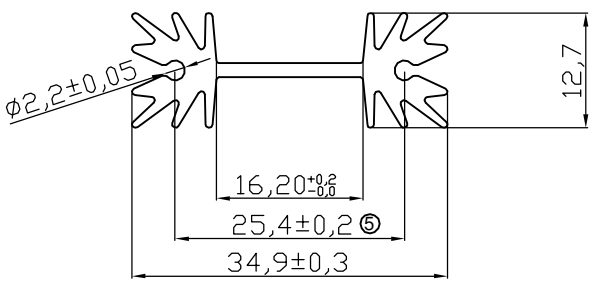



Contact us

Tel: +86-755-8981 8866 Fax: +86-755-8427 6832

Email & Skype: info@chipsmall.com Web: www.chipsmall.com

Address: A1208, Overseas Decoration Building, #122 Zhenhua RD., Futian, Shenzhen, China



	1	2	3	4	5	6	7																																																																																														
A									A																																																																																												
B																																																																																																					
C																																																																																																					
D																																																																																																					
E									E																																																																																												
F	<p>Material : AL 6063-T5 BL-005 Pin : Brass Tin plated Finish : Black anodized Unmarked round angle R is 5mm.</p> <table border="1"> <thead> <tr> <th>Option</th> <th>L</th> <th>Thermal resistance(K/W)</th> </tr> </thead> <tbody> <tr> <td>V7477W2</td> <td>25.4</td> <td>14</td> </tr> <tr> <td>V7477X2</td> <td>38.1</td> <td>11</td> </tr> <tr> <td>V7477Y2</td> <td>50.8</td> <td>9</td> </tr> <tr> <td>V7477Z2</td> <td>63.5</td> <td>7</td> </tr> </tbody> </table>								Option	L	Thermal resistance(K/W)	V7477W2	25.4	14	V7477X2	38.1	11	V7477Y2	50.8	9	V7477Z2	63.5	7	F																																																																													
Option	L	Thermal resistance(K/W)																																																																																																			
V7477W2	25.4	14																																																																																																			
V7477X2	38.1	11																																																																																																			
V7477Y2	50.8	9																																																																																																			
V7477Z2	63.5	7																																																																																																			
G	RoHS compliant Unit: mm		<table border="1"> <thead> <tr> <th>Scale</th> <th>FREE</th> <th>⑥</th> <th>Change production plant</th> <th>07.06.2013</th> <th>Amy</th> <th></th> <th>Date</th> <th>Name</th> <th>Customer-No.</th> </tr> </thead> <tbody> <tr> <td colspan="2">TOLERANCE</td> <td>⑤</td> <td>Modify Dimention</td> <td>09.05.2011</td> <td>Jason</td> <td>Drawn</td> <td>08.02.2005</td> <td>A.Menk</td> <td rowspan="3">ASSMANN WSW-No. V7477x2</td> </tr> <tr> <td>X.</td> <td>±X</td> <td>④</td> <td>Modify Dimention</td> <td>20.07.2010</td> <td>Alex</td> <td>Approved</td> <td>07.06.2013</td> <td>Amy</td> </tr> <tr> <td>X.X</td> <td>±X</td> <td>③</td> <td>Modify Drawing layout</td> <td>10.03.2010</td> <td>Alex</td> <td></td> <td></td> <td></td> </tr> <tr> <td>UNIT</td> <td>±0.2</td> <td>②</td> <td>Redraw</td> <td>11.08.2009</td> <td>Dean</td> <td colspan="3" rowspan="4">  </td> <td>Drawing-No.</td> </tr> <tr> <td>DIM</td> <td>Tol</td> <td>①</td> <td>Drawn</td> <td>08.02.2005</td> <td>A.Menk</td> <td>ASS 0574 HS</td> <td>rev06</td> </tr> <tr> <td>X.°</td> <td>±X°</td> <td>Id.</td> <td>Modification</td> <td>Date</td> <td>Name</td> <td>Replace</td> <td>Sheet</td> </tr> <tr> <td>X.X°</td> <td>±X°</td> <td></td> <td></td> <td></td> <td></td> <td></td> <td></td> </tr> <tr> <td>H</td> <td colspan="2"></td> <td colspan="7"></td> <td>H</td> </tr> <tr> <td></td> <td>1</td> <td>2</td> <td>3</td> <td>4</td> <td>5</td> <td>6</td> <td>7</td> <td></td> </tr> </tbody></table>							Scale	FREE	⑥	Change production plant	07.06.2013	Amy		Date	Name	Customer-No.	TOLERANCE		⑤	Modify Dimention	09.05.2011	Jason	Drawn	08.02.2005	A.Menk	ASSMANN WSW-No. V7477x2	X.	±X	④	Modify Dimention	20.07.2010	Alex	Approved	07.06.2013	Amy	X.X	±X	③	Modify Drawing layout	10.03.2010	Alex				UNIT	±0.2	②	Redraw	11.08.2009	Dean				Drawing-No.	DIM	Tol	①	Drawn	08.02.2005	A.Menk	ASS 0574 HS	rev06	X.°	±X°	Id.	Modification	Date	Name	Replace	Sheet	X.X°	±X°							H										H		1	2	3	4	5	6	7	
Scale	FREE	⑥	Change production plant	07.06.2013	Amy		Date	Name	Customer-No.																																																																																												
TOLERANCE		⑤	Modify Dimention	09.05.2011	Jason	Drawn	08.02.2005	A.Menk	ASSMANN WSW-No. V7477x2																																																																																												
X.	±X	④	Modify Dimention	20.07.2010	Alex	Approved	07.06.2013	Amy																																																																																													
X.X	±X	③	Modify Drawing layout	10.03.2010	Alex																																																																																																
UNIT	±0.2	②	Redraw	11.08.2009	Dean				Drawing-No.																																																																																												
DIM	Tol	①	Drawn	08.02.2005	A.Menk				ASS 0574 HS	rev06																																																																																											
X.°	±X°	Id.	Modification	Date	Name				Replace	Sheet																																																																																											
X.X°	±X°																																																																																																				
H										H																																																																																											
	1	2	3	4	5	6	7																																																																																														