



Chipsmall Limited consists of a professional team with an average of over 10 year of expertise in the distribution of electronic components. Based in Hongkong, we have already established firm and mutual-benefit business relationships with customers from,Europe,America and south Asia,supplying obsolete and hard-to-find components to meet their specific needs.

With the principle of “Quality Parts,Customers Priority,Honest Operation,and Considerate Service”,our business mainly focus on the distribution of electronic components. Line cards we deal with include Microchip,ALPS,ROHM,Xilinx,Pulse,ON,Everlight and Freescale. Main products comprise IC,Modules,Potentiometer,IC Socket,Relay,Connector.Our parts cover such applications as commercial,industrial, and automotives areas.

We are looking forward to setting up business relationship with you and hope to provide you with the best service and solution. Let us make a better world for our industry!



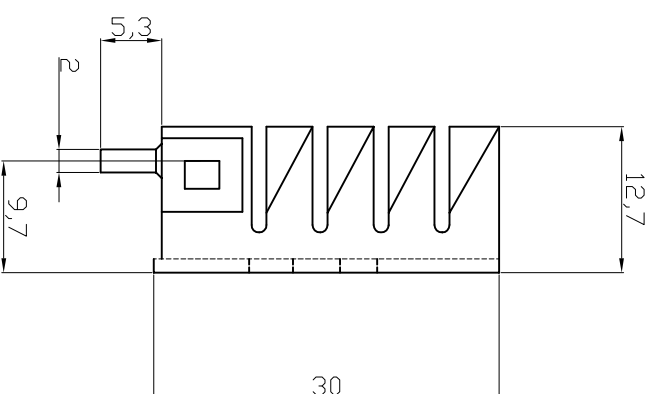
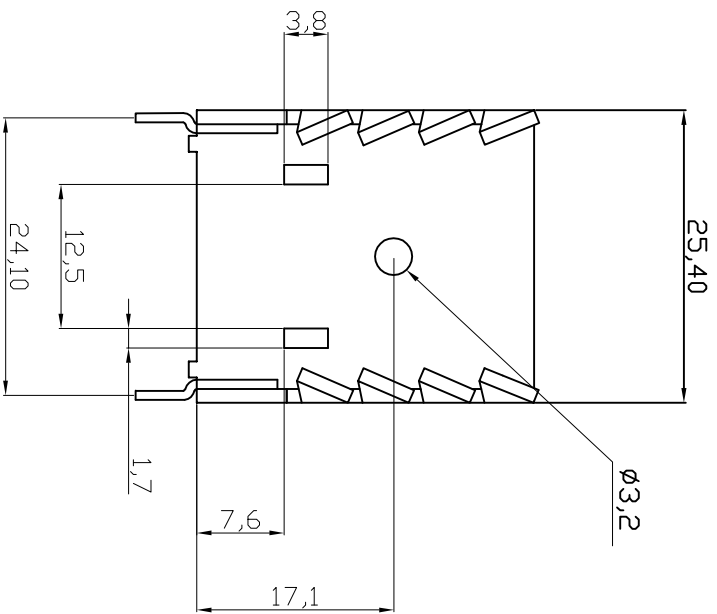
Contact us

Tel: +86-755-8981 8866 Fax: +86-755-8427 6832

Email & Skype: info@chipsmall.com Web: www.chipsmall.com

Address: A1208, Overseas Decoration Building, #122 Zhenhua RD., Futian, Shenzhen, China





Notes
 Material : AL 1050 T=1.2MM
 Finished : Black Anodize
 ④ Suitable clip is V08HK

RoHS compliant
 Unit: mm

Scale	Free	Customer-No.	
TOLERANCE		ASSMANN WSW-No.	V8502A
		Drawing-No.	ASS 0537 HS
Unit	±0.25	Replace	rev04
DIM	TOL		Sheet
Angle	TOL		

Id.	Modification	Date	Name
④	Add note	08.07.2016	Amy
③	Modify drawing layout	10.03.2010	Alex
②	Update	11.08.2009	Dean
①	Drawn	05.06.2003	Menk

Date	Name
05.06.2003	Menk
08.07.2016	Amy



1

2

3

4

5

6

7

1

2

3

4

5

6

7

A

A

B

B

C

C

D

D

E

E

F

F

G

G

H

H