



Chipsmall Limited consists of a professional team with an average of over 10 year of expertise in the distribution of electronic components. Based in Hongkong, we have already established firm and mutual-benefit business relationships with customers from,Europe,America and south Asia,supplying obsolete and hard-to-find components to meet their specific needs.

With the principle of “Quality Parts,Customers Priority,Honest Operation,and Considerate Service”,our business mainly focus on the distribution of electronic components. Line cards we deal with include Microchip,ALPS,ROHM,Xilinx,Pulse,ON,Everlight and Freescale. Main products comprise IC,Modules,Potentiometer,IC Socket,Relay,Connector.Our parts cover such applications as commercial,industrial, and automotives areas.

We are looking forward to setting up business relationship with you and hope to provide you with the best service and solution. Let us make a better world for our industry!



## Contact us

Tel: +86-755-8981 8866 Fax: +86-755-8427 6832

Email & Skype: info@chipsmall.com Web: www.chipsmall.com

Address: A1208, Overseas Decoration Building, #122 Zhenhua RD., Futian, Shenzhen, China



1

2

3

4

5

6

7

A

B

C

D

E

F

A

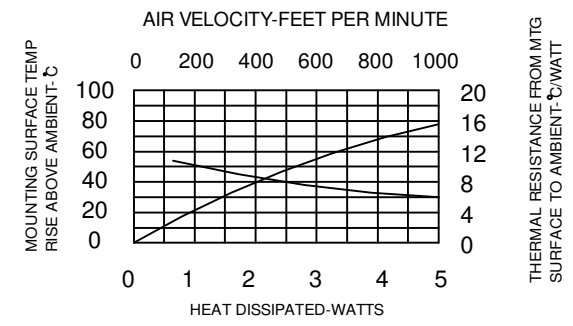
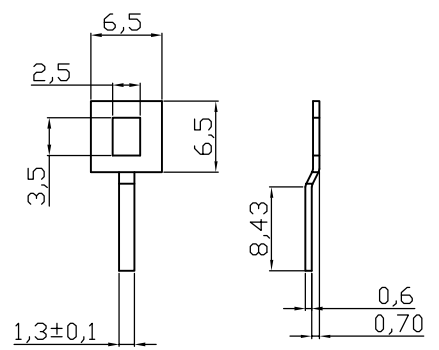
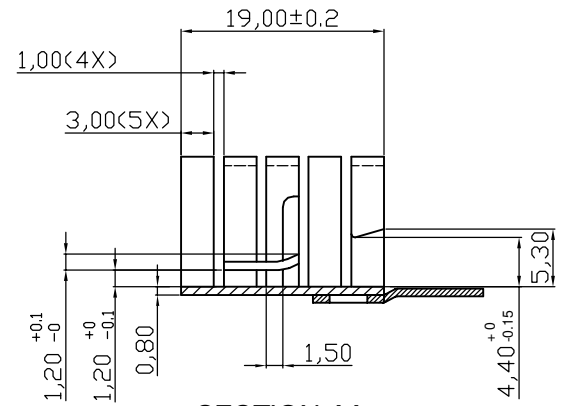
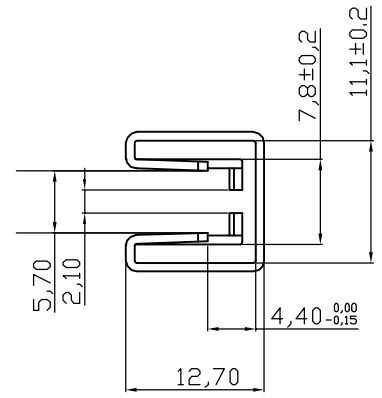
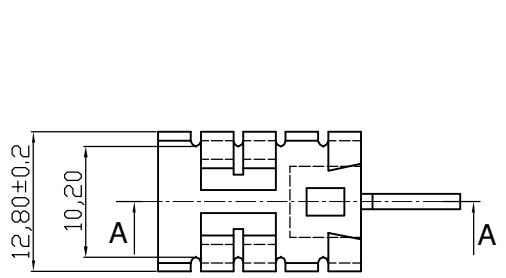
B

C

D

E

F



Notes  
 Material : AL 5052 T=0.8±0.1 MM  
 Finished : Black Anodize

② Thermal resistance : 21 K/W  
 Weight : 0,001KG

**RoHS compliant**  
 UNIT: mm

Scale	FREE					Date	Name	Customer-No.
TOLERANCE						Drawn	20.07.2006	Storb
UNIT	±0.5					Approved	09.09.2011	Andy
		②	Update	09.09.2011	Schulz			
		①	Update	29.06.2011	Schulz			
		①	Drawn	20.07.2006	Storb			
DIM	TOL	Id.	Modification	Date	Name			
X.°	±X°							
X.X°	±X°							
Angle	TOL							

Customer-No.		
ASSMANN WSW-No.		V8508B-L
Drawing-No.		ASS 0555 HS rev02
Replace	Sheet	

1

2

3

4

5

6

7

H

H