



Chipsmall Limited consists of a professional team with an average of over 10 year of expertise in the distribution of electronic components. Based in Hongkong, we have already established firm and mutual-benefit business relationships with customers from,Europe,America and south Asia,supplying obsolete and hard-to-find components to meet their specific needs.

With the principle of “Quality Parts,Customers Priority,Honest Operation,and Considerate Service”,our business mainly focus on the distribution of electronic components. Line cards we deal with include Microchip,ALPS,ROHM,Xilinx,Pulse,ON,Everlight and Freescale. Main products comprise IC,Modules,Potentiometer,IC Socket,Relay,Connector.Our parts cover such applications as commercial,industrial, and automotives areas.

We are looking forward to setting up business relationship with you and hope to provide you with the best service and solution. Let us make a better world for our industry!



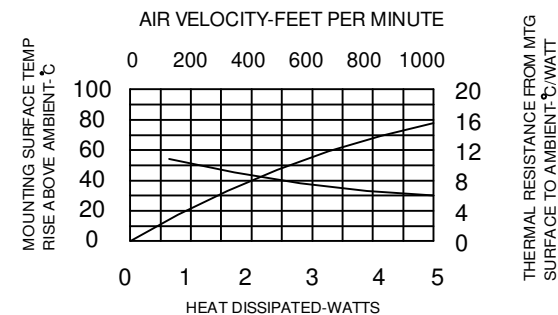
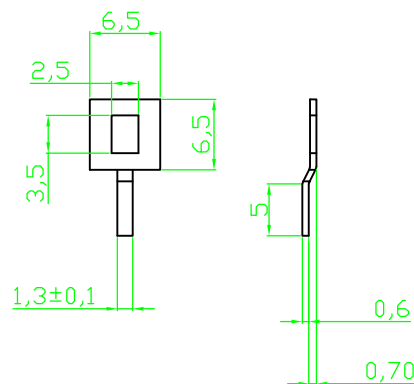
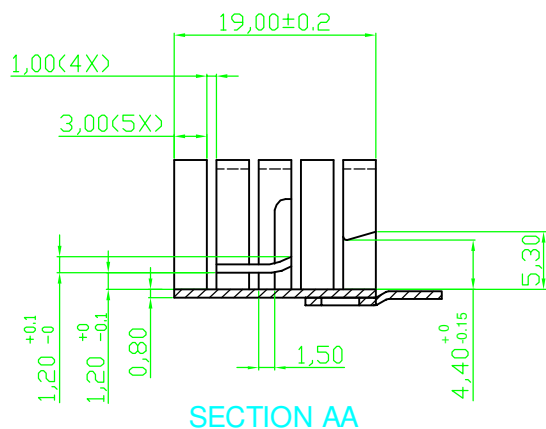
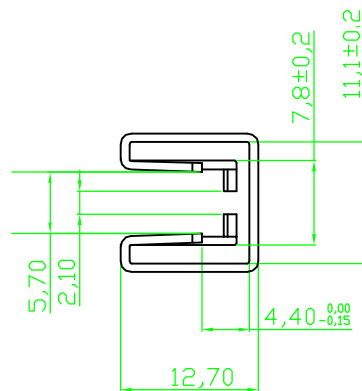
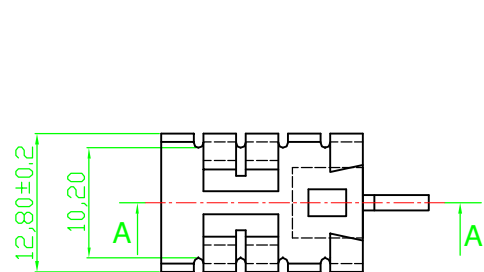
Contact us

Tel: +86-755-8981 8866 Fax: +86-755-8427 6832

Email & Skype: info@chipsmall.com Web: www.chipsmall.com

Address: A1208, Overseas Decoration Building, #122 Zhenhua RD., Futian, Shenzhen, China





Notes
 Material : AL 5052 T=0.8±0.1 MM
 Finished : Black Anodize
 Thermal Resistance : 21K/W

RoHS compliant
 Unit: mm

Scale	FREE						Date	Name	Customer-No.
TOLERANCE		⑤	Add thermal resistance	05.02.2014	A. Plate	Drawn	20.07.2006	Storb	ASSMANN WSW-No. V8508B
UNIT	±0.5	④	Change production plant	07.06.2013	Amy	Approved	10.03.2010	Andy	
		③	Modify drawing layout	10.03.2010	Alex				Drawing-No.
DIM	TOL	②	Update	11.08.2009	Dean			ASS 0388 HS	
X.°	±X°	①	Drawn	20.07.2006	Storb			Replace	rev05
X.X°	±X°	①	Drawn	20.07.2006	Storb			Sheet	
Angle	TOL	ld.	Modification	Date	Name				

1

2

3

4

5

6

7