



Chipsmall Limited consists of a professional team with an average of over 10 year of expertise in the distribution of electronic components. Based in Hongkong, we have already established firm and mutual-benefit business relationships with customers from,Europe,America and south Asia,supplying obsolete and hard-to-find components to meet their specific needs.

With the principle of “Quality Parts,Customers Priority,Honest Operation,and Considerate Service”,our business mainly focus on the distribution of electronic components. Line cards we deal with include Microchip,ALPS,ROHM,Xilinx,Pulse,ON,Everlight and Freescale. Main products comprise IC,Modules,Potentiometer,IC Socket,Relay,Connector.Our parts cover such applications as commercial,industrial, and automotives areas.

We are looking forward to setting up business relationship with you and hope to provide you with the best service and solution. Let us make a better world for our industry!



Contact us

Tel: +86-755-8981 8866 Fax: +86-755-8427 6832

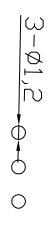
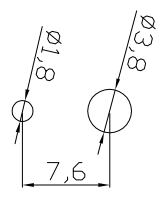
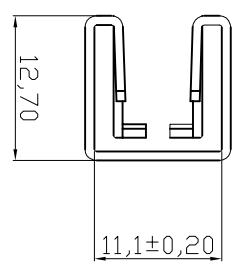
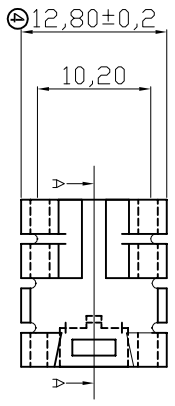
Email & Skype: info@chipsmall.com Web: www.chipsmall.com

Address: A1208, Overseas Decoration Building, #122 Zhenhua RD., Futian, Shenzhen, China

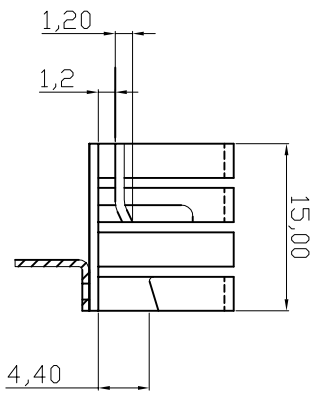


1	2	3	4	5	6	7	A
1	2	3	4	5	6	7	B
1	2	3	4	5	6	7	C
1	2	3	4	5	6	7	D
1	2	3	4	5	6	7	E
1	2	3	4	5	6	7	F
1	2	3	4	5	6	7	G
1	2	3	4	5	6	7	H

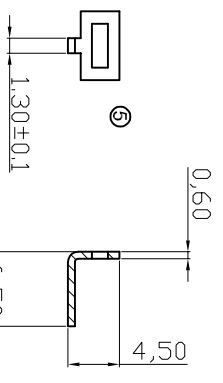
Ⓢ



Ⓢ Recommend PCB Layout



SECTION A-A



Notes
 Material: AL 5052 T=0.8±0.1 MM
 Finished: Black Anodize

RoHS compliant
 Unit: mm

Scale	Free	⑥	Update to new drawing	08.07.2016	Amy		Customer-No.
TOLERANCE		⑤	Add PCB Layout	13.04.2016	Amy	Drawn	ASSMANN WSW-No.
UNIT	④ ±0,25	④	Update to correct dimension	19.11.2013	Amy	Approved	V85081
		③	Modify the position of pin	18.04.2011	Rate		Drawing-No.
DIM	TOL	②	Modify drawing layout	10.03.2010	Alex		ASS 0858 HS
		①	Drawn	11.08.2009	Dean		Replace
Angle	TOL	Id.	Modification	Date	Name		Sheet



1	2	3	4	5	6	7	H
---	---	---	---	---	---	---	---