



Chipsmall Limited consists of a professional team with an average of over 10 year of expertise in the distribution of electronic components. Based in Hongkong, we have already established firm and mutual-benefit business relationships with customers from,Europe,America and south Asia,supplying obsolete and hard-to-find components to meet their specific needs.

With the principle of “Quality Parts,Customers Priority,Honest Operation,and Considerate Service”,our business mainly focus on the distribution of electronic components. Line cards we deal with include Microchip,ALPS,ROHM,Xilinx,Pulse,ON,Everlight and Freescale. Main products comprise IC,Modules,Potentiometer,IC Socket,Relay,Connector.Our parts cover such applications as commercial,industrial, and automotives areas.

We are looking forward to setting up business relationship with you and hope to provide you with the best service and solution. Let us make a better world for our industry!



Contact us

Tel: +86-755-8981 8866 Fax: +86-755-8427 6832

Email & Skype: info@chipsmall.com Web: www.chipsmall.com

Address: A1208, Overseas Decoration Building, #122 Zhenhua RD., Futian, Shenzhen, China



1 2 3 4 5 6 7

A

B

C

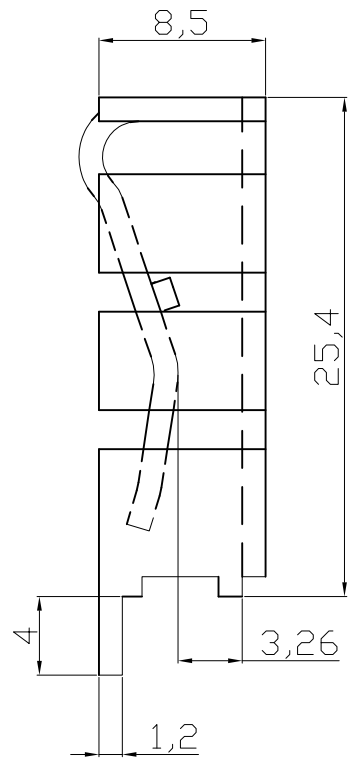
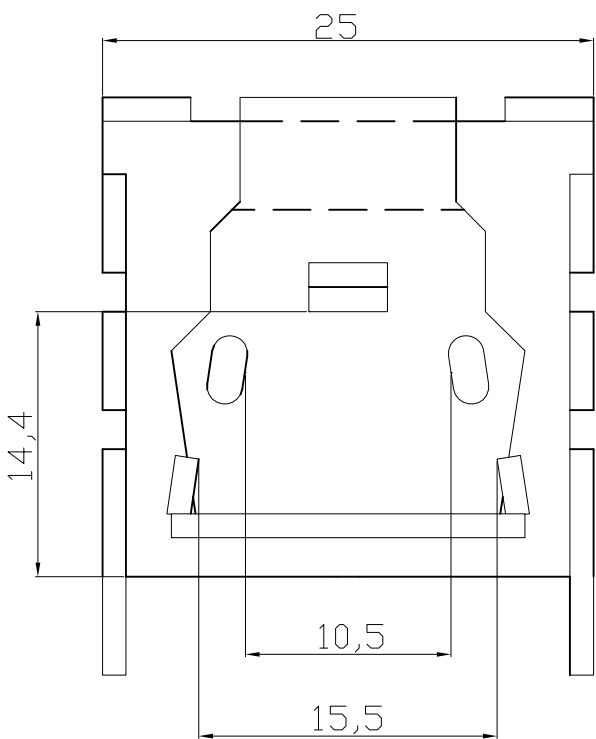
D

E

F

G

H



Material :AL 1050 T=1.2mm
 Finished :
 V8510B-T: Black anodized
 V8510SN-T: Tin plated

RoHS compliant
 Unit: mm

Scale	FREE						Date	Name	Customer-No.
TOLERANCE						Drawn	21.02.2013	Amy	ASSMANN WSW-No. V8510x-T
						Approved	21.02.2013	Amy	
UNIT	±0,25								Drawing-No.
DIM	TOL								ASS 2081 HS
		©	Drawn	21.02.2013	Amy	ASSMANN WSW components			rev00
		Id.	Modification	Date	Name			Replace	Sheet

1 2 3 4 5 6 7 KT1710