



Chipsmall Limited consists of a professional team with an average of over 10 year of expertise in the distribution of electronic components. Based in Hongkong, we have already established firm and mutual-benefit business relationships with customers from,Europe,America and south Asia,supplying obsolete and hard-to-find components to meet their specific needs.

With the principle of “Quality Parts,Customers Priority,Honest Operation,and Considerate Service”,our business mainly focus on the distribution of electronic components. Line cards we deal with include Microchip,ALPS,ROHM,Xilinx,Pulse,ON,Everlight and Freescale. Main products comprise IC,Modules,Potentiometer,IC Socket,Relay,Connector.Our parts cover such applications as commercial,industrial, and automotives areas.

We are looking forward to setting up business relationship with you and hope to provide you with the best service and solution. Let us make a better world for our industry!



Contact us

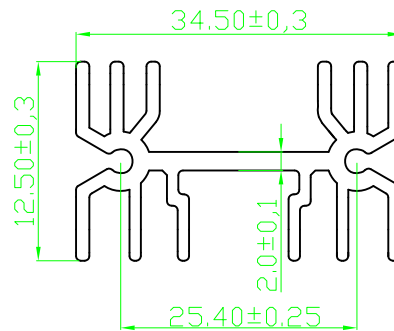
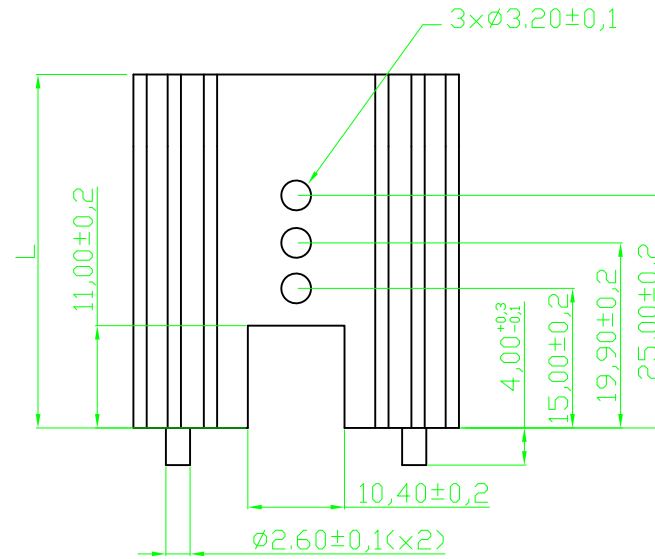
Tel: +86-755-8981 8866 Fax: +86-755-8427 6832

Email & Skype: info@chipsmall.com Web: www.chipsmall.com

Address: A1208, Overseas Decoration Building, #122 Zhenhua RD., Futian, Shenzhen, China



RoHS compliant



Notes
 Material : AL 6063
 Finished : Black Anodized
 Pin : Tin Plated

Option	L	Thermal resistance(K/W)
V8813W	25	6.5
V8813X	38	5
V8813Y	50	4

Scale	1:1					Date	Name	Customer-No.
TOLERANCE						Drawn	11.08.2009	Dean
						Approved	08.03.2010	Andy
UNIT	±x							ASSMANN WSW-No.
DIM	TOL							V8813x
X.°	±X°	②	Modify drawing layout	08.03.2010	Dean			
X.X°	±X°	①	Drawn	11.08.2009	Dean			
Angle	TOL	Id.	Modification	Date	Name	Replace	ASS 0870 HS	rev02

Customer-No.	
ASSMANN WSW-No. V8813x	
Drawing-No.	rev02
Replace	Sheet

1

2

3

4

5

6

7

A

B

C

D

E

F

G

H

A

B

C

D

E

F

G

H

1

2

3

4

5

6

7