



Chipsmall Limited consists of a professional team with an average of over 10 year of expertise in the distribution of electronic components. Based in Hongkong, we have already established firm and mutual-benefit business relationships with customers from,Europe,America and south Asia,supplying obsolete and hard-to-find components to meet their specific needs.

With the principle of “Quality Parts,Customers Priority,Honest Operation,and Considerate Service”,our business mainly focus on the distribution of electronic components. Line cards we deal with include Microchip,ALPS,ROHM,Xilinx,Pulse,ON,Everlight and Freescale. Main products comprise IC,Modules,Potentiometer,IC Socket,Relay,Connector.Our parts cover such applications as commercial,industrial, and automotives areas.

We are looking forward to setting up business relationship with you and hope to provide you with the best service and solution. Let us make a better world for our industry!



## Contact us

Tel: +86-755-8981 8866 Fax: +86-755-8427 6832

Email & Skype: info@chipsmall.com Web: www.chipsmall.com

Address: A1208, Overseas Decoration Building, #122 Zhenhua RD., Futian, Shenzhen, China





THE INFORMATION CONTAINED HEREIN IS CONSIDERED "PROPRIETARY" TO BEL FUSE INC. AND SHALL NOT BE COPIED, REPRODUCED OR DISCLOSED WITHOUT THE WRITTEN APPROVAL OF BEL FUSE INC.

RoHS  
2002/95/EC



LED1 POLARITY			LED2 POLARITY		
PIN 14	PIN 13	COLOR	PIN 12	PIN 11	COLOR
-	+	YELLOW	-	+	GREEN

ELECTRICAL CHARACTERISTICS @ 25°C

URNS RATIO

TP1	1CT : 1CT ±3%
TP2	1CT : 1CT ±3%
TP3	1CT : 1CT ±3%
TP4	1CT : 1CT ±3%

QCL @ 100kHz/100mVRMS

8mA DC BIAS 350µH MIN.

INS. LOSS

1MHz TO 100MHz -1.1 dB MAX

RET. LOSS (MIN) @ 100 ΩHMS +/-15%

1MHz-40MHz -18 dB  
40MHz-100MHz -12+20LOG(F/80MHz) dB

CM TO CM REJ

1MHz - 100MHz -20 dB MIN

CROSSTALK (TX - RX)

1MHz - 30MHz -40 dB MIN  
30MHz - 60MHz -30 dB MIN

HIPOT (Isolation Voltage): 1500 Vrms

100% OF PRODUCTION TESTED TO COMPLY WITH IEEE 802.3 ISOLATION REQUIREMENTS.

LED 1

VF (FORWARD VOLTAGE) IF=20mA YELLOW 2.1V TYP.

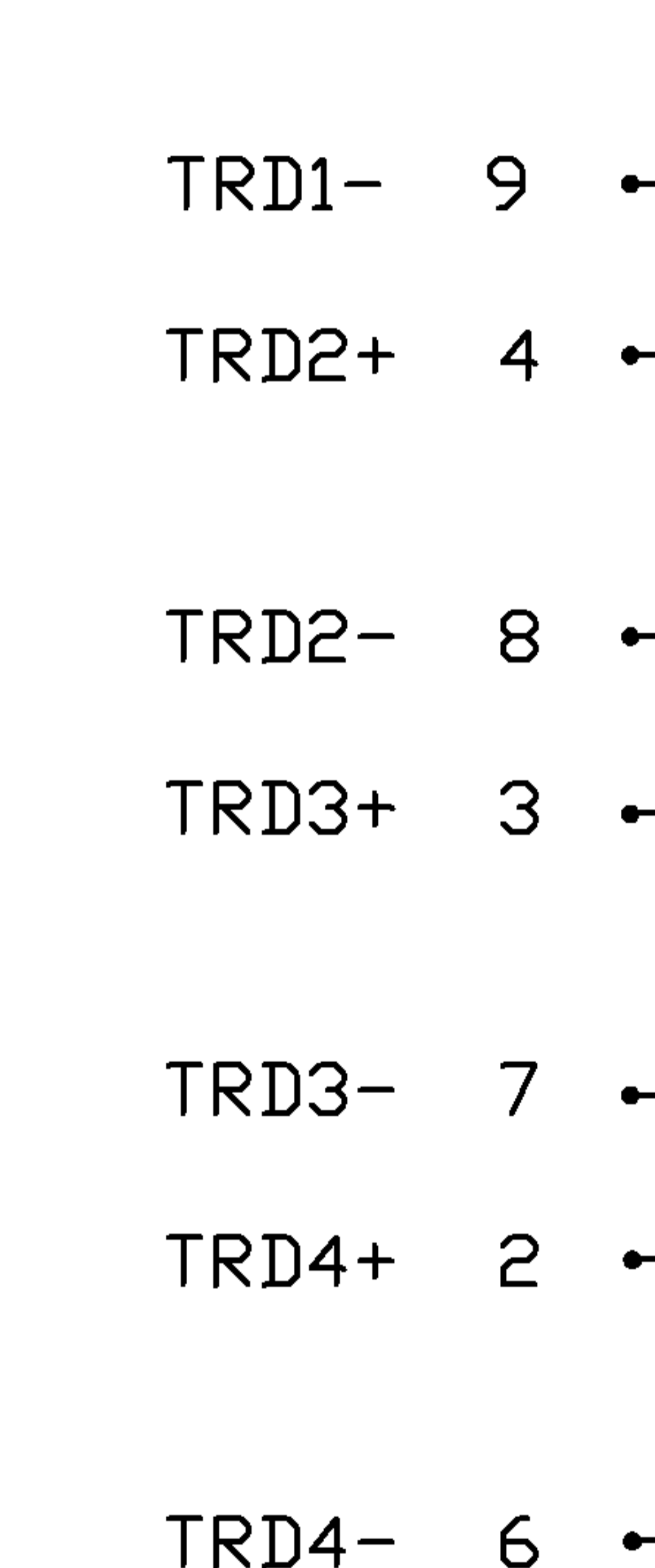
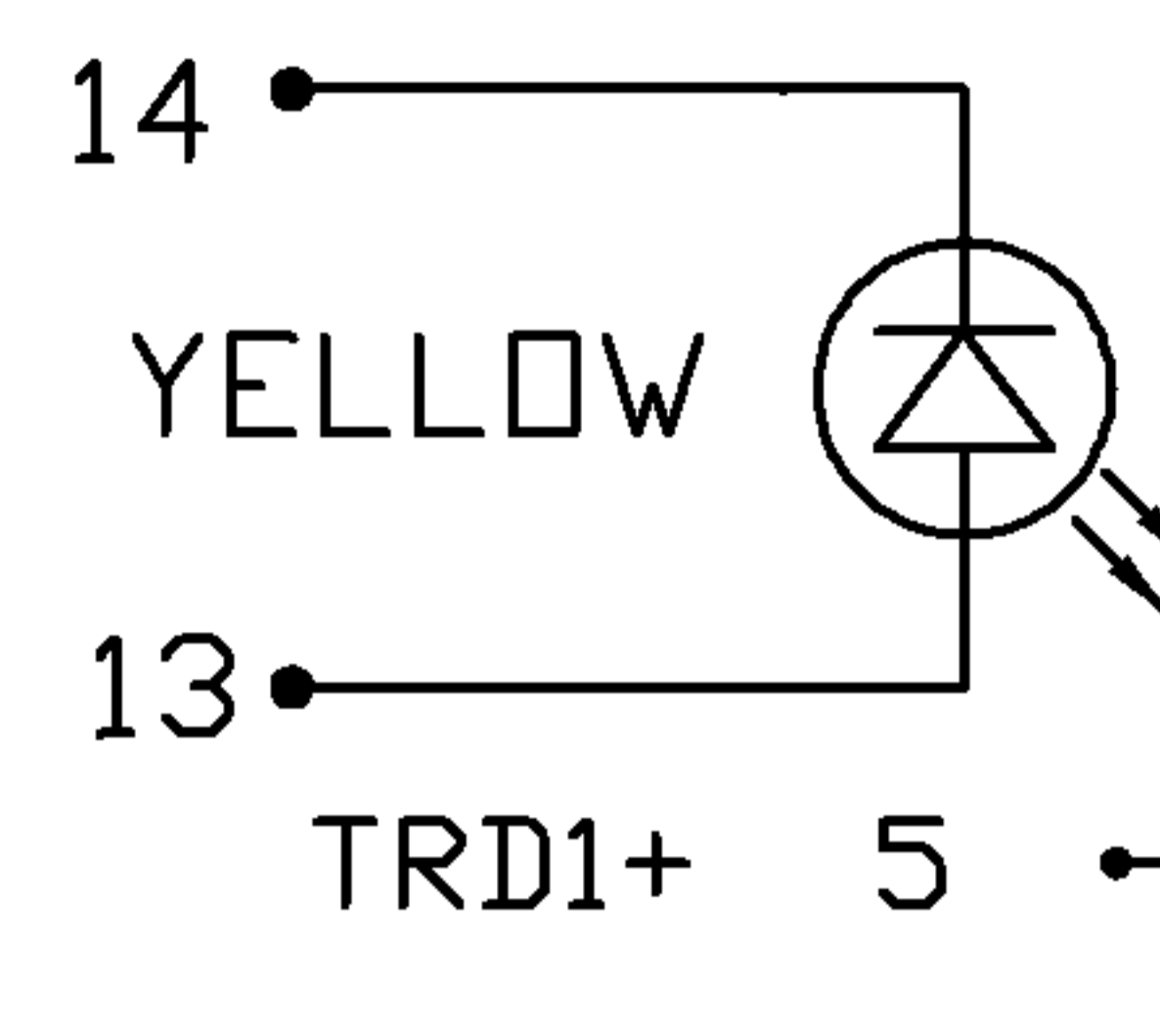
λD (DOMINANT WAVELENGTH) IF=20mA YELLOW 590nm TYP.

LED 2

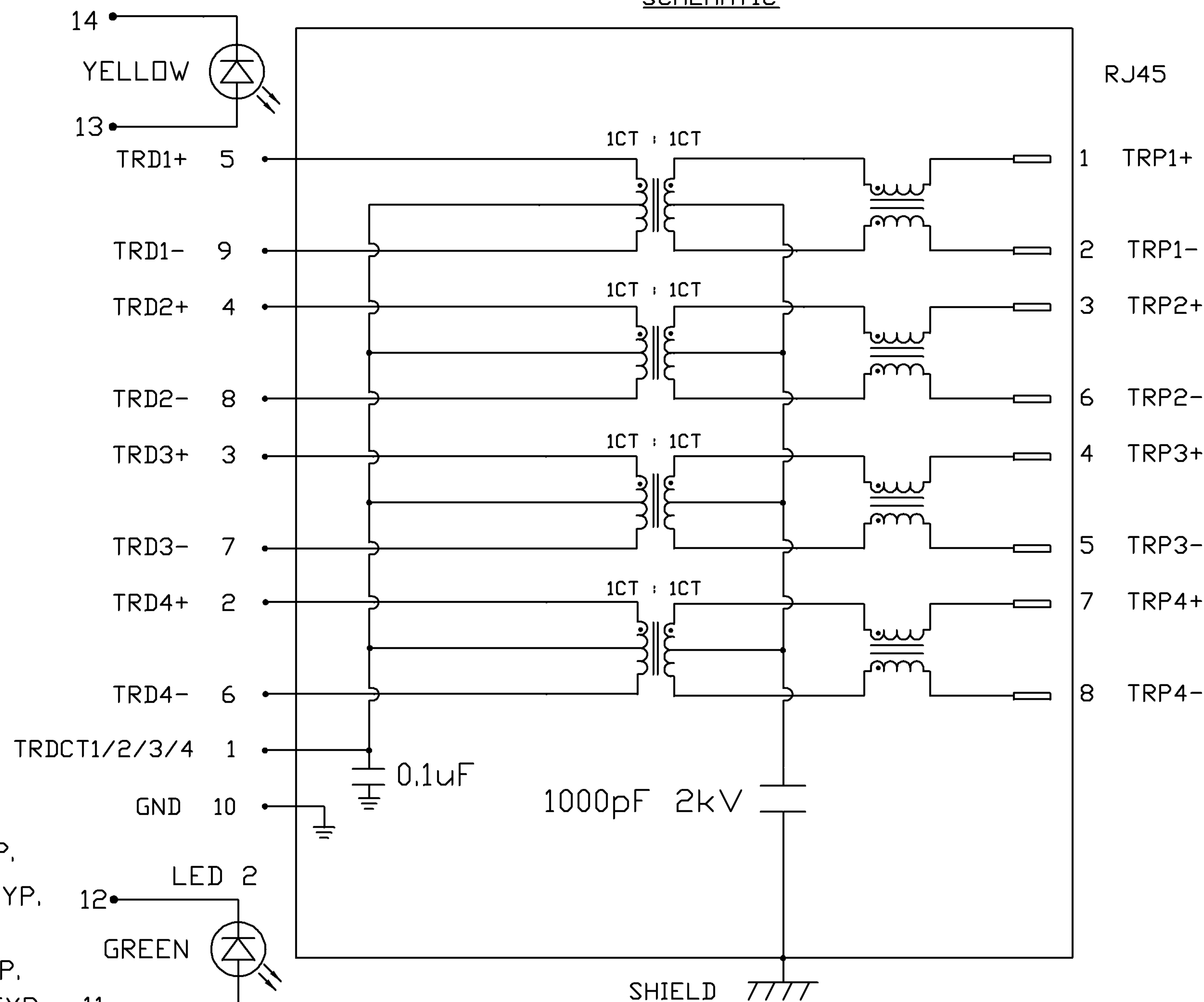
VF (FORWARD VOLTAGE) IF=20mA GREEN 2.2V TYP.

λD (DOMINANT WAVELENGTH) IF=20mA GREEN 565nm TYP.

LED 1



SCHEMATIC



ORIGINATED BY	DATE
CHOU WANCHUNG	06-03-08
DRAWN BY	DATE
DENG PING	06-03-08

TITLE
gigabit MagJack® (8 core, Vertical)

PART NO. / DRAWING NO.
V890-1AX1-A1
FILE NAME
V890-1AX1-A1_C.DWG

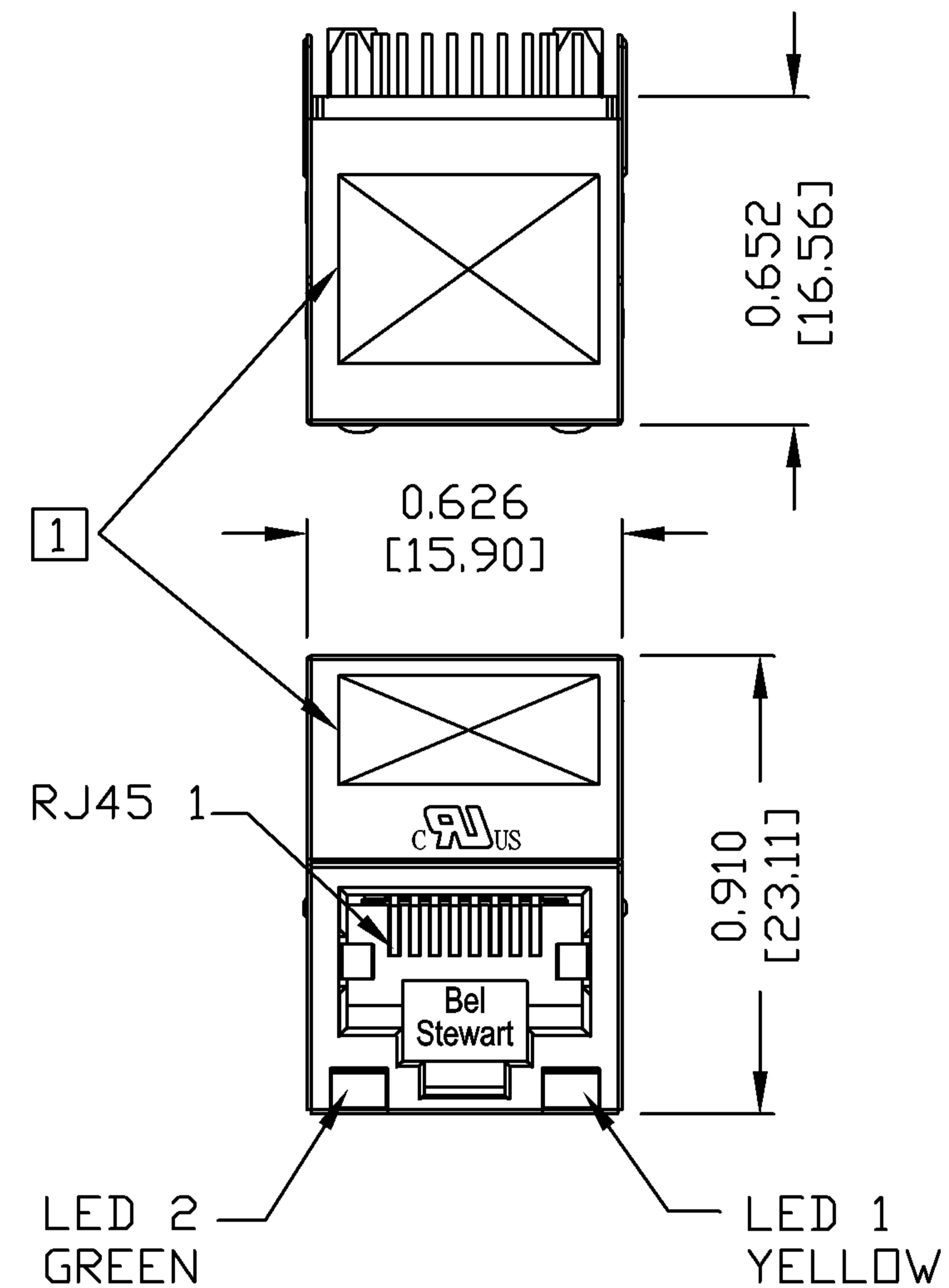
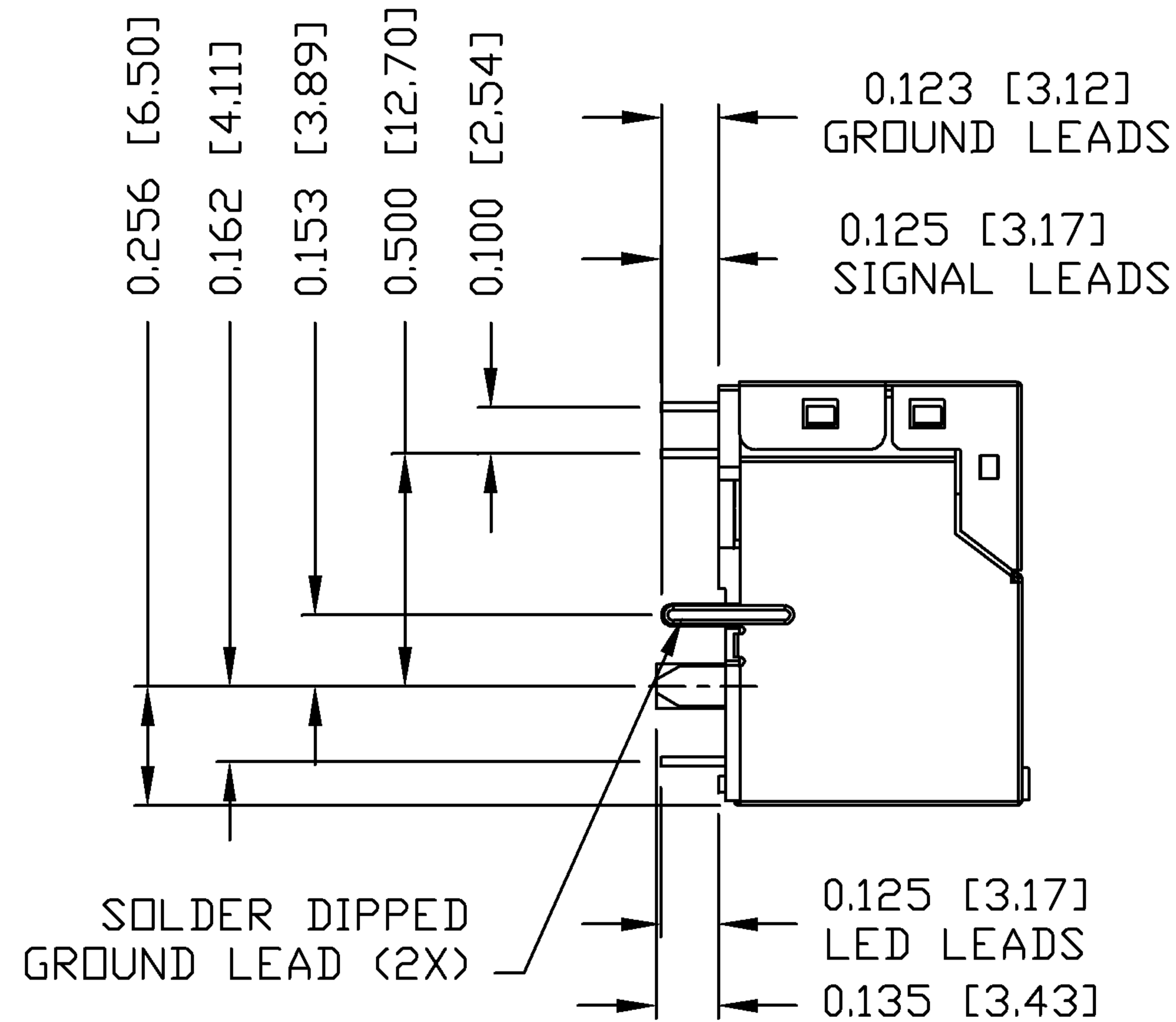
STANDARD DIM.	[ ] METRIC DIM. AS REFERENCE
TOL. IN INCH	UNIT : INCH [mm]
.X	REV. : C
.XX	SCALE : N/A
.XXX	SIZE : A4
	PAGE : 2




THE INFORMATION CONTAINED HEREIN IS CONSIDERED "PROPRIETARY" TO BEL FUSE INC. AND SHALL NOT BE COPIED, REPRODUCED OR DISCLOSED WITHOUT THE WRITTEN APPROVAL OF BEL FUSE INC.

MECHANICAL SPECIFICATION

RoHS  
2002/95/EC



NOTES:

PLASTIC HOUSING: THERMOPLASTIC PBT.  
FLAMMABILITY RATING UL 94V-0  
CONTACTS: 30 MICRO-INCH HARD GOLD PLATING  
OUTPUT PINS: TIN-COATED COPPER WIRE, DIA 0.018 INCH.  
METAL SHIELD: NICKEL PLATED ON COPPER ALLOY.  
(ALL GROUND LEADS ARE SOLDER DIPPED)

JACK CAVITY CONFORMS TO FCC RULES AND REGULATIONS.

[1] MARK PART WITH MFG LOGO, MFG NAME, PART NUMBER, AND DATE CODE.

RoHS COMPLIANCE, PER EU DIRECTIVE 2002/95/EC.

 US UL RECOGNIZED - FILE #E196366 AND E169987.

ORIGINATED BY	DATE	TITLE	PART NO. / DRAWING NO.	STANDARD DIM. TOL. IN INCH	[ ] METRIC DIM. AS REFERENCE
ZX HUANG	06-03-08	gigabit MagJack® (8 core, Vertical)	V890-1AX1-A1	.X	UNIT : INCH [mm] REV. : C
DRAWN BY	DATE		FILE NAME	.XX	SCALE : N/A SIZE : A4
JOLLY LUD	06-03-08		V890-1AX1-A1_C.DWG	.XXX ±0.010	PAGE : 3





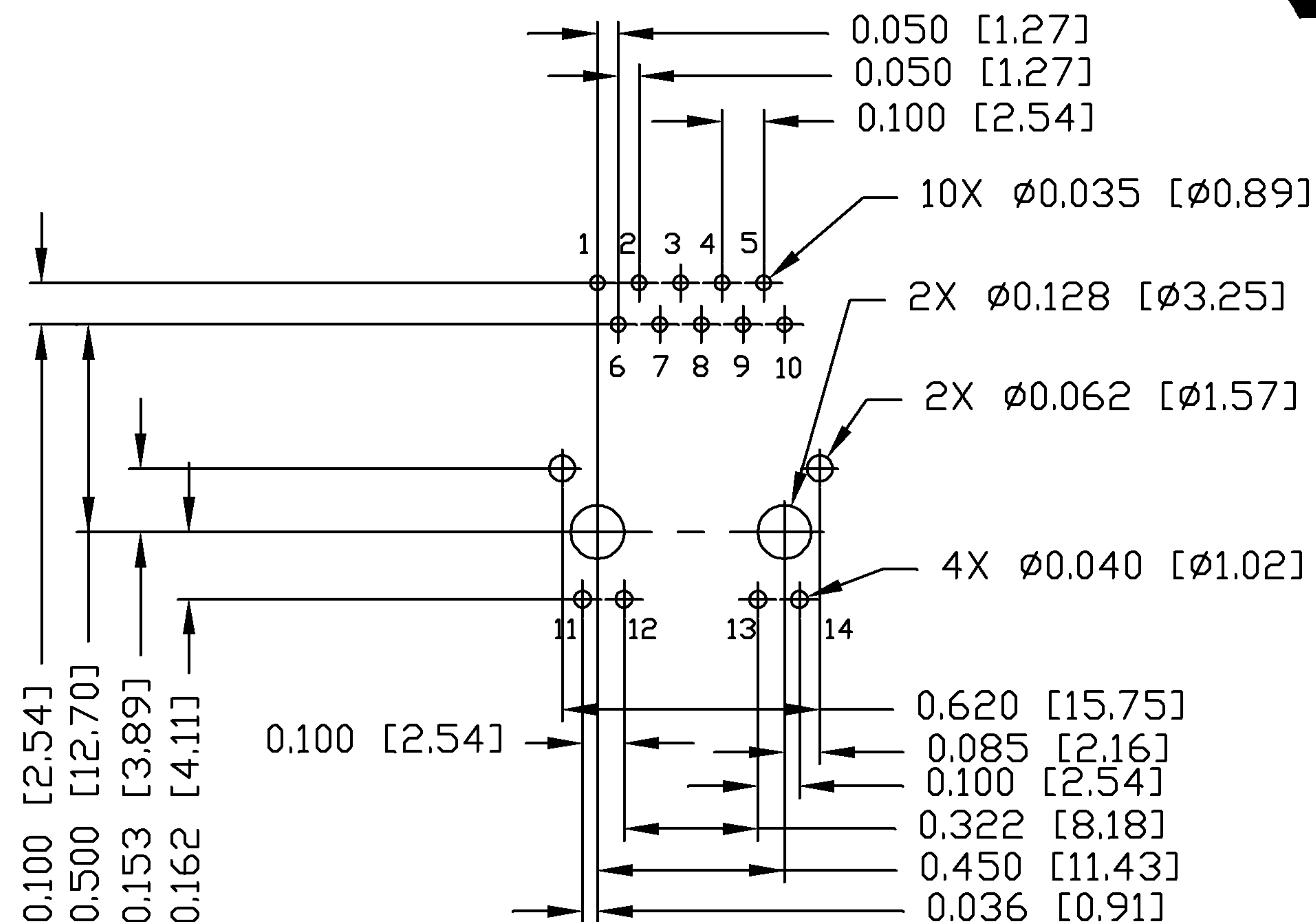
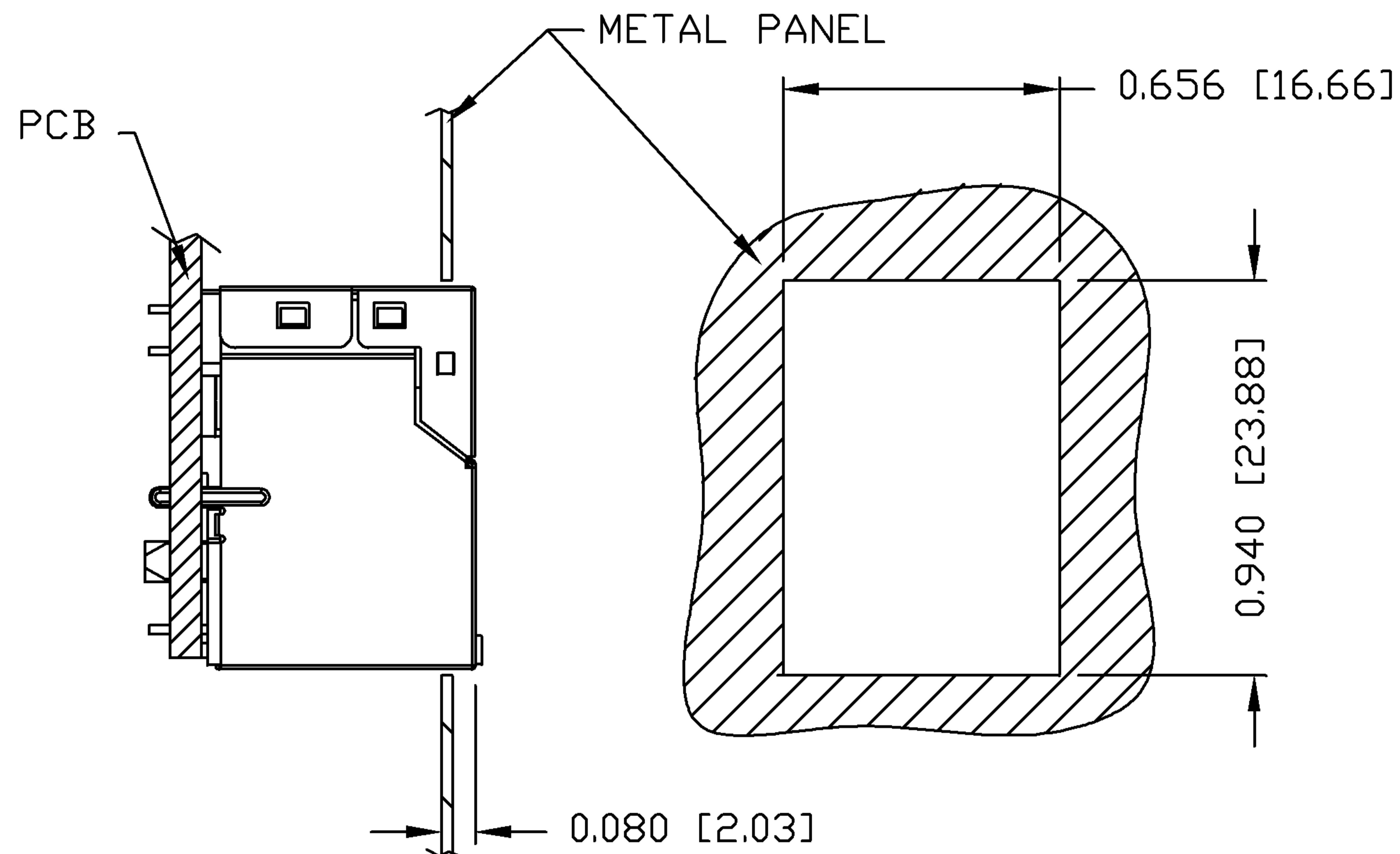
THE INFORMATION CONTAINED HEREIN IS CONSIDERED "PROPRIETARY" TO BEL FUSE INC. AND SHALL NOT BE COPIED, REPRODUCED OR DISCLOSED WITHOUT THE WRITTEN APPROVAL OF BEL FUSE INC.

RoHS  
2002/95/EC



RECOMMENDED PCB FOOTPRINT  
COMPONENT SIDE VIEW

SUGGESTED PANEL OPENING



NOTES:

THE DISTANCE OF PANEL INSIDE SURFACE RELATIVE TO FRONT SURFACE OF PART IS ONLY A SUGGESTION. IN CASE THIS DISTANCE IS DIFFERENT, THE REQUIRED PANEL OPENING DIMENSIONS CHANGE ACCORDINGLY.

PACKING INFORMATION

PACKING TRAY : 0200-9999-I3(TOP)

0200-9999-I4(BOTTOM)

PACKING QUANTITY : 55 PCS FINISHED GOODS PER TRAY  
9 TRAYS (495 PCS FINISHED GOODS)  
PER CARTON BOX

NOTER: CARDBOARDS ARE PLACED BETWEEN LAYERS  
OF PACKING TRAY INSIDE CARTON BOX  
(INCLUDE THE UPPERMOST AND LOWERMOST TRAY)

ORIGINATED BY ZX HUANG	DATE 06-03-08	TITLE gigabit MagJack® (8 core, Vertical)	PART NO. / DRAWING NO. V890-1AX1-A1	STANDARD DIM. TOL. IN INCH	[ ] METRIC DIM. AS REFERENCE	 COMPONENTS FOR A CONNECTED PLANET
DRAWN BY JOLLY LUO	DATE 06-03-08		FILE NAME V890-1AX1-A1_C.DWG	.X	UNIT : INCH [mm]	
			.XX	SCALE : N/A	SIZE : A4	
			.XXX	±0.004	PAGE : 4	