



Chipsmall Limited consists of a professional team with an average of over 10 year of expertise in the distribution of electronic components. Based in Hongkong, we have already established firm and mutual-benefit business relationships with customers from,Europe,America and south Asia,supplying obsolete and hard-to-find components to meet their specific needs.

With the principle of “Quality Parts,Customers Priority,Honest Operation,and Considerate Service”,our business mainly focus on the distribution of electronic components. Line cards we deal with include Microchip,ALPS,ROHM,Xilinx,Pulse,ON,Everlight and Freescale. Main products comprise IC,Modules,Potentiometer,IC Socket,Relay,Connector.Our parts cover such applications as commercial,industrial, and automotives areas.

We are looking forward to setting up business relationship with you and hope to provide you with the best service and solution. Let us make a better world for our industry!



## Contact us

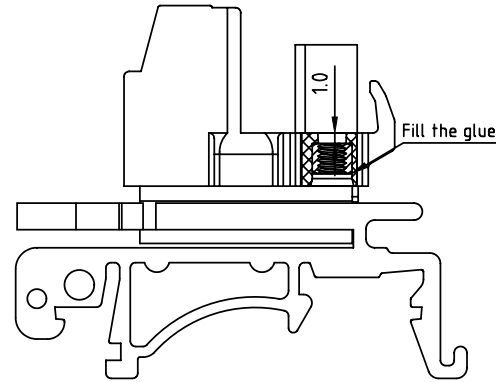
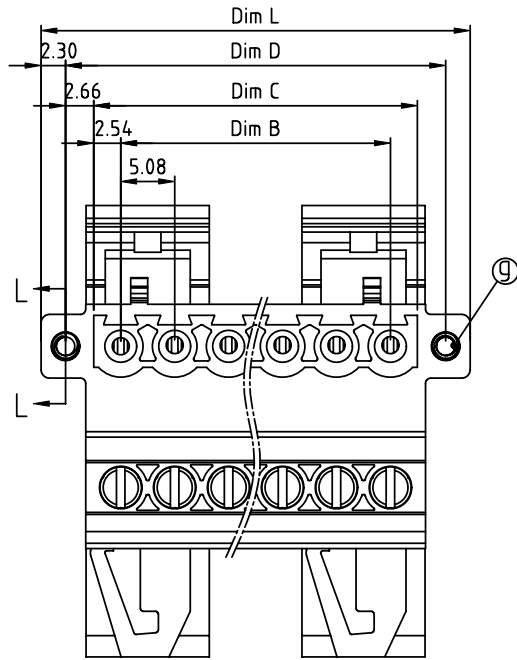
Tel: +86-755-8981 8866 Fax: +86-755-8427 6832

Email & Skype: info@chipsmall.com Web: www.chipsmall.com

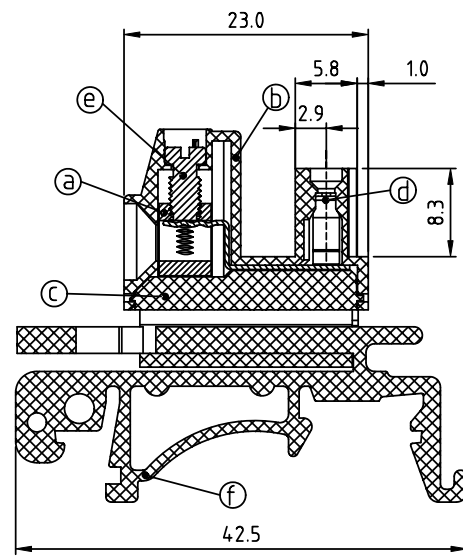
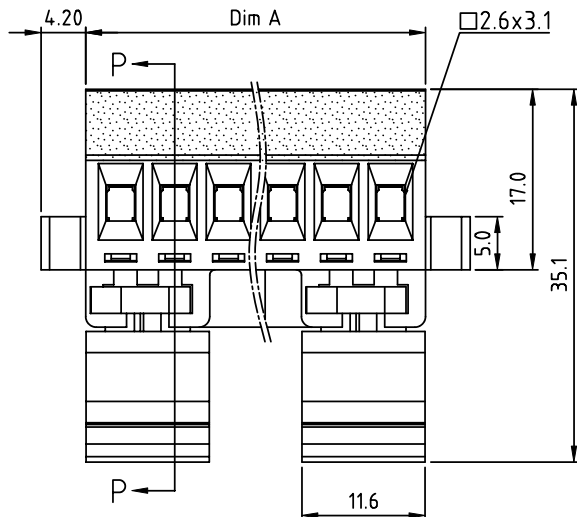
Address: A1208, Overseas Decoration Building, #122 Zhenhua RD., Futian, Shenzhen, China



PRODUCT NUMBER	PITCH
V9xx51x500J0G	5.08 mm



SECTION L-L



SECTION P-P

Dimension

Dim L	$(N-1) \times 5.08 + 15.0$
Dim A	$(N-1) \times 5.08 + 6.6$
Dim B	$(N-1) \times 5.08$
Dim C	$N \times 5.08$
Dim D	$(N-1) \times 5.08 + 10.4$

N=Number of poles

Poles	Tolerance
2P - 6P	$\pm 0.15$
7P - 12P	$\pm 0.20$
13P - 18P	$\pm 0.30$
19P - 24P	$\pm 0.40$

PART NO.: V9 xx 51 x 5 00J0 G

	Color	RoHS compliant (lead<4%) In copper Alloy
Solid block	0 Black (RAL9005)	
No. of poles	2 Red (RAL3001/D)	
02 2 poles	3 Orange(RAL2011/P)	
03 3 poles	4 Yellow(RAL1018/A)	
...	5 Green(RAL6018/T)	
24 24 poles	6 Blue (RAL5015/A)	
	8 Grey(RAL7035/D)	
	9 White(RAL1102)	
	C Green(RAL6018/U)	

- Material:
- Item 9 Clamp: Brass Ni plated
  - Item 6 Terminal (housing): Thermoplastic (UL94V-0)
  - Item 7 Terminal (Cover): Thermoplastic (UL94V-0)
  - Item 8 Male contact: PhBz, Tin plated.
  - Item 5 Terminal screw: Steel Zinc plating " - " slot type
  - Item 4 Terminal(track): Thermoplastic (UL94V-0)
  - Item 3 With flange nut: Brass M2.5

- Electrical: cULus
- Voltage rating:300V
  - Current rating: 12A
  - Wire range:
  - Solid wire(AWG):12-30
  - Stranded wire(AWG):12-30
  - Torque:5.2Lb-In.
  - Screw:M3
  - Wire strip length: 6-7 mm
  - Withstanding Voltage: 1.6KV
  - Operating temperature:-40°C to +115°C
  - Safety Approval: cULus

mat'l. code	surface ASME Y14.5	tolerance ASME Y14.5	projection	product family
ltr	ecn no	dr	date	TERMINAL BLOCK
				title
				TERMINAL BLOCK PLUGGABLE PLUG, WITH FLANGE DINRAIL MOUNTING, B TYPE
				scale
				MM
				dwg no
				V9xx51x500J0G
				sheet 1 of 1
				size
				A4
				type
				CUSTOMER Drawing
sheet index	revision	A		
	sheet	1		