



Chipsmall Limited consists of a professional team with an average of over 10 year of expertise in the distribution of electronic components. Based in Hongkong, we have already established firm and mutual-benefit business relationships with customers from,Europe,America and south Asia,supplying obsolete and hard-to-find components to meet their specific needs.

With the principle of “Quality Parts,Customers Priority,Honest Operation,and Considerate Service”,our business mainly focus on the distribution of electronic components. Line cards we deal with include Microchip,ALPS,ROHM,Xilinx,Pulse,ON,Everlight and Freescale. Main products comprise IC,Modules,Potentiometer,IC Socket,Relay,Connector.Our parts cover such applications as commercial,industrial, and automotives areas.

We are looking forward to setting up business relationship with you and hope to provide you with the best service and solution. Let us make a better world for our industry!



Contact us

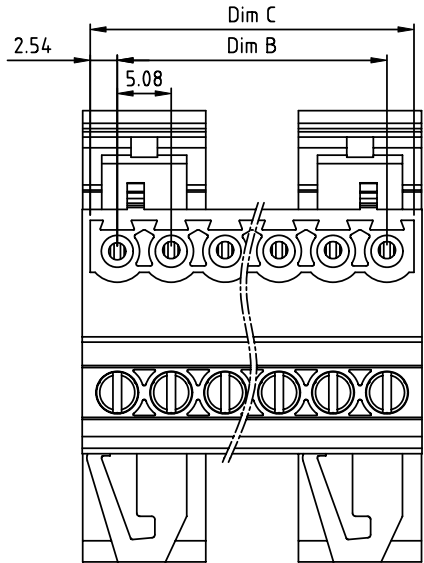
Tel: +86-755-8981 8866 Fax: +86-755-8427 6832

Email & Skype: info@chipsmall.com Web: www.chipsmall.com

Address: A1208, Overseas Decoration Building, #122 Zhenhua RD., Futian, Shenzhen, China



PRODUCT NUMBER	PITCH
V9xx51x400J0G	5.08 mm



Dimension

Dim A	$(N-1) \times 5.08 + 6.60$
Dim B	$(N-1) \times 5.08$
Dim C	$N \times 5.08$

N=Number of poles

Poles	Tolerance
2P - 6P	± 0.15
7P - 12P	± 0.20
13P - 18P	± 0.30
19P - 24P	± 0.40

PART NO.: V9 xx 51 x 4 00J0 G

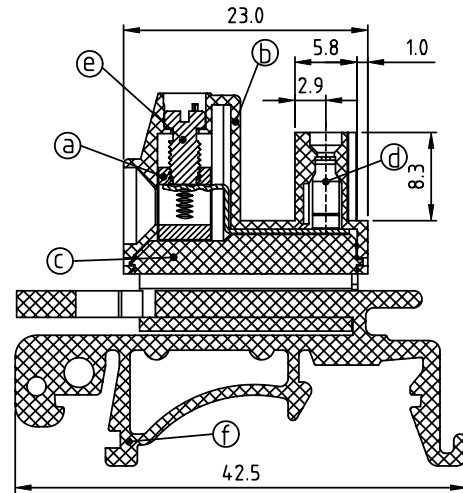
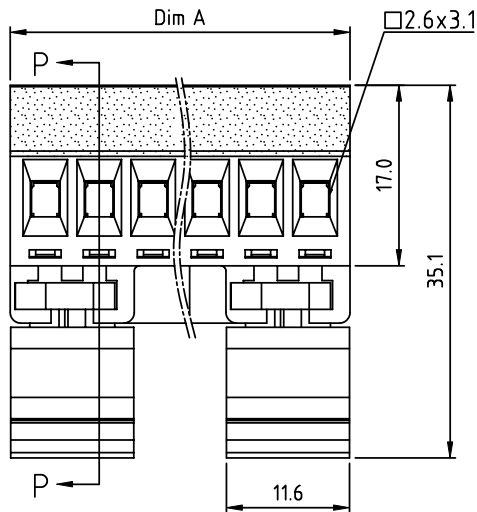
Solid block	0	Black (RAL9005)	RoHS compliant (lead<4%) In copper Alloy
No. of poles	2	Red (RAL3001/D)	
02	2 poles	3	Orange(RAL2011/P)
03	3 poles	4	Yellow(RAL1018/A)
...	...	5	Green(RAL6018/T)
24	24 poles	6	Blue (RAL5015/A)
		8	Grey(RAL7035/D)
		9	White(RAL1102)
		C	Green(RAL6018/U)

Material:

- Item Ⓐ Clamp: Brass Ni plated
- Item Ⓑ Terminal (housing): Thermoplastic (UL94V-0)
- Item Ⓒ Terminal (Cover): Thermoplastic (UL94V-0)
- Item Ⓓ Male contact: PhBz, Tin plated.
- Item Ⓔ Terminal screw: Steel Zinc plating " - " slot type
- Item Ⓕ Terminal(track): Thermoplastic (UL94V-0)

Electrical: cULus

- Voltage rating: 300V
- Current rating: 12A
- Wire range:
- Solid wire(AWG):12-30
- Stranded wire(AWG):12-30
- Torque:5.2Lb-In.
- Screw:M3
- Wire strip length: 6-7 mm
- Withstanding Voltage: 1.6KV
- Operating temperature:-40°C to +115°C
- Safety Approval: cULus



SECTION P-P

mat'l. code		surface ASME Y14.5	tolerance ASME Y14.5	projection	product family TERMINAL BLOCK
ltr	ecn no	dr	date	 MM	title TERMINAL BLOCK
tolerances unless otherwise specified					
angles		X.±0.5		scale	PLUGGABLE PLUG,DINRAIL MOUNTING,B TYPE
X*±1"		X.XX±0.1			
dr	ENGR	EVIN ZHONG	050414		dwg no V9xx51x400J0G
enr	EVIN ZHONG	050414			sheet 1 of 1
chr	HANKE FENG	050414			size A4
appd	SHI JUN	050414			type CUSTOMER Drawing
sheet index	revision sheet	A	1		