



Chipsmall Limited consists of a professional team with an average of over 10 year of expertise in the distribution of electronic components. Based in Hongkong, we have already established firm and mutual-benefit business relationships with customers from,Europe,America and south Asia,supplying obsolete and hard-to-find components to meet their specific needs.

With the principle of “Quality Parts,Customers Priority,Honest Operation,and Considerate Service”,our business mainly focus on the distribution of electronic components. Line cards we deal with include Microchip,ALPS,ROHM,Xilinx,Pulse,ON,Everlight and Freescale. Main products comprise IC,Modules,Potentiometer,IC Socket,Relay,Connector.Our parts cover such applications as commercial,industrial, and automotives areas.

We are looking forward to setting up business relationship with you and hope to provide you with the best service and solution. Let us make a better world for our industry!



## Contact us

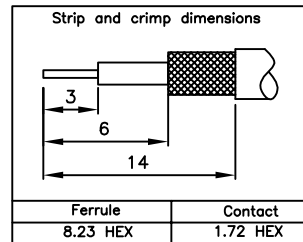
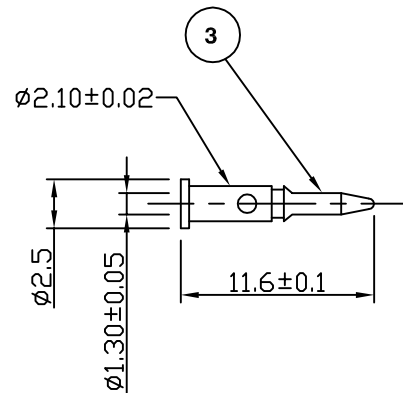
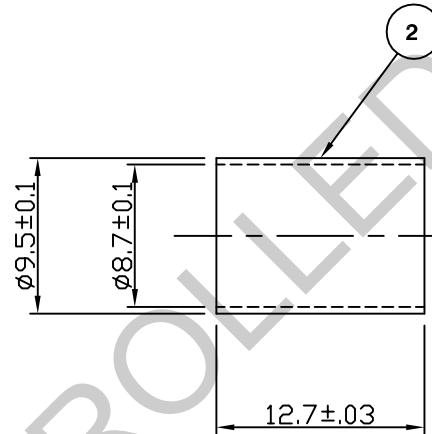
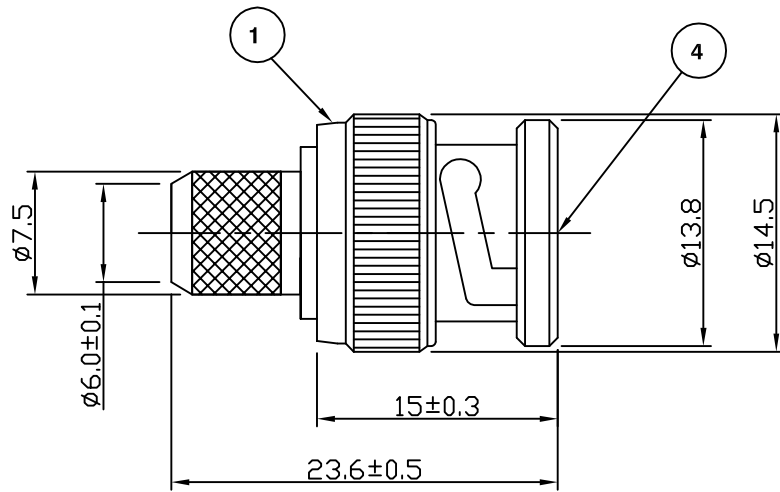
Tel: +86-755-8981 8866 Fax: +86-755-8427 6832

Email & Skype: info@chipsmall.com Web: www.chipsmall.com

Address: A1208, Overseas Decoration Building, #122 Zhenhua RD., Futian, Shenzhen, China



RoHS COMPLIANT



**Electrical Characteristics**

|                                     |                             |
|-------------------------------------|-----------------------------|
| Nominal Impedance:                  | 75 ohms                     |
| Frequency Range:                    | DC to 1 GHz                 |
| VSWR:                               | 1.35:1 maximum              |
| Insertion Loss:                     | 0.1 dB at 1 GHz             |
| Operating Voltage (rms):            | 500 V maximum at sea level  |
| Dielectric Withstand Voltage (rms): | 1500 V maximum at sea level |
| Contact Resistance:                 | 1.5 milliohms maximum       |
| Insulation Resistance:              | 5000 megohms minimum        |

**Mechanical Characteristics**

|                       |                        |
|-----------------------|------------------------|
| Mating Cycles:        | 500 cycles minimum     |
| Interface Dimensions: | Conform to MIL-C-39012 |

**Environmental Characteristics**

|                    |                  |
|--------------------|------------------|
| Temperature Range: | -55 °C to +85 °C |
|--------------------|------------------|

|   | PART       | DESCRIPTION                            |
|---|------------|--|
| 1 | Body       | Brass, nickel plated 2.54 μm           |
| 2 | Ferrule    | Brass, nickel plated 2.54 μm           |
| 3 | Contact    | Brass, gold plated 0.076 μm - 0.127 μm |
| 4 | Dielectric | Delrin, white                          |

|                                |       |     |            |
|--------------------------------|-------|-----|------------|
| Dimensional update on Contact  | JT    | 5   | 14 June 10 |
| Strip & Crimp dimensions Added | JT    | 4   | 12 Mar 10  |
| Measurments updated            | KA    | 3   | 13 Aug 07  |
| CAD Issue                      | SN    | 2   | 21 Aug 01  |
| First Issue                    | DW    | 1   | 13 Nov 93  |
| DESCRIPTION OF REVISION        | APPVD | ISS | DATE       |

For stripping and assembly instnctions see Drawing Number: VAIB1101



Cinch Connectivity Solutions  
7-13 Russel Way,  
Widford Industrial Estate,  
Chelmsford, Essex,  
CM1 3AA, UK.  
Tel: +44 (0) 1245 359515  
Fax: +44 (0) 1245 358938

SCALE: Not To Scale

DIMENSIONS: mm

TOLERANCES:  
± 0.2mm unless  
otherwise stated

DRAWN BY:

S Nash

CHECKED BY:

P Couzens

APPROVED BY:

P Couzens

DATE:

21Aug 01

TITLE:

BNC Crimp Plug for CT125

PART NUMBER:

VB10-2025

PAGE: 1 of 1