



Chipsmall Limited consists of a professional team with an average of over 10 year of expertise in the distribution of electronic components. Based in Hongkong, we have already established firm and mutual-benefit business relationships with customers from,Europe,America and south Asia,supplying obsolete and hard-to-find components to meet their specific needs.

With the principle of “Quality Parts,Customers Priority,Honest Operation,and Considerate Service”,our business mainly focus on the distribution of electronic components. Line cards we deal with include Microchip,ALPS,ROHM,Xilinx,Pulse,ON,Everlight and Freescale. Main products comprise IC,Modules,Potentiometer,IC Socket,Relay,Connector.Our parts cover such applications as commercial,industrial, and automotives areas.

We are looking forward to setting up business relationship with you and hope to provide you with the best service and solution. Let us make a better world for our industry!



## Contact us

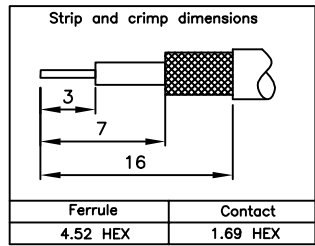
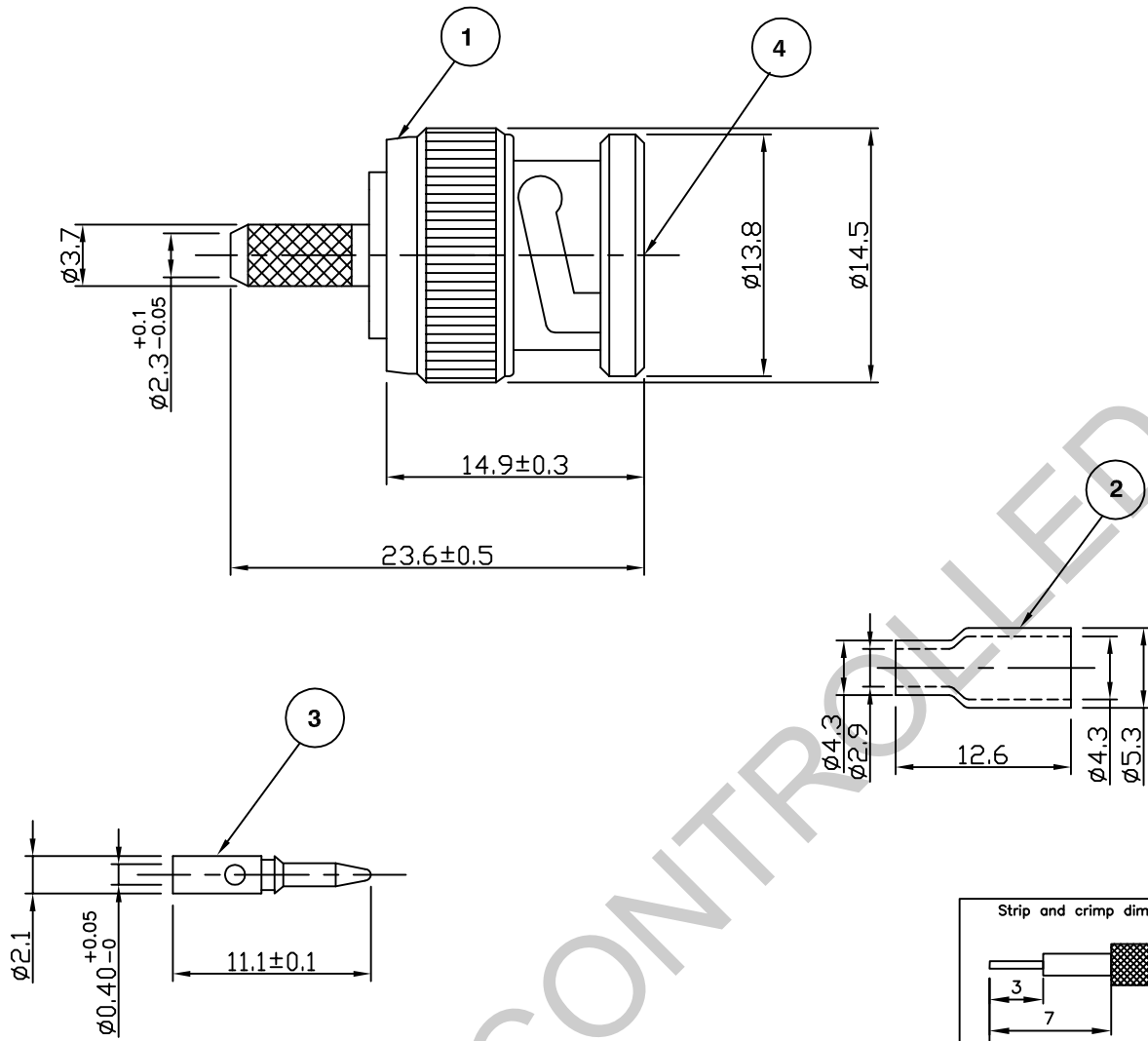
Tel: +86-755-8981 8866 Fax: +86-755-8427 6832

Email & Skype: info@chipsmall.com Web: www.chipsmall.com

Address: A1208, Overseas Decoration Building, #122 Zhenhua RD., Futian, Shenzhen, China



RoHS COMPLIANT



For stripping and assembly instructions see Drawing Number: VAIB1106

**Electrical Characteristics**

Nominal Impedance:	75 ohms
Frequency Range:	DC to 1 GHz
VSWR:	1.35:1 maximum
Insertion Loss:	0.1 dB at 1 GHz
Operating Voltage (rms):	500 V maximum at sea level
Dielectric Withstand Voltage (rms):	1500 V maximum at sea level
Contact Resistance:	1.5 milliohms maximum
Insulation Resistance:	5000 megohms minimum

**Mechanical Characteristics**

Mating Cycles:	500 cycles minimum
Interface Dimensions:	Conform to MIL-C-39012

**Environmental Characteristics**

Temperature Range:	-65 °C to +165 °C
--------------------	-------------------

PART	DESCRIPTION
1	Body Brass, nickel plated 2.54 µm
2	Ferrule Brass, nickel plated 2.54 µm
3	Contact Brass, gold plated 0.076 µm - 0.127 µm
4	Dielectric PTFE

DESCRIPTION OF REVISION	APPVD	ISS	DATE
Drawing Updated	JT	8	12 Mar 10
Strip And Crimp Dims Added	LB	7	26 Aug 09
Insulator Added	JW	6	22 June 06
CAD Issue	SN	5	18 Jan 02
Change Hole Of Pin To 0.40mm	DJH	4	01 July 97
Standardisation Of Crimp Ferrule	AT	3	04 March 96
Hole In Pin 0.50mm	IFS	2	19 May 94
First Issue	IFS	1	11 June 92



Cinch Connectivity Solutions  
7-13 Russel Way,  
Widford Industrial Estate,  
Chelmsford, Essex,  
CM1 3AA, UK.  
Tel: +44 (0) 1245 359515  
Fax: +44 (0) 1245 358938

SCALE: Not To Scale	DRAWN BY:	J Williams
DIMENSIONS: mm	CHECKED BY:	M Terry
TOLERANCES: ± 0.2mm unless otherwise stated	APPROVED BY:	A Tusi
	DATE:	22 Jun 06

TITLE:	BNC Crimp Plug for RG179, RG187
--------	------------------------------------

PART NUMBER:	<b>VB10-2061</b>
PAGE:	1 of 1