



Chipsmall Limited consists of a professional team with an average of over 10 year of expertise in the distribution of electronic components. Based in Hongkong, we have already established firm and mutual-benefit business relationships with customers from,Europe,America and south Asia,supplying obsolete and hard-to-find components to meet their specific needs.

With the principle of “Quality Parts,Customers Priority,Honest Operation,and Considerate Service”,our business mainly focus on the distribution of electronic components. Line cards we deal with include Microchip,ALPS,ROHM,Xilinx,Pulse,ON,Everlight and Freescale. Main products comprise IC,Modules,Potentiometer,IC Socket,Relay,Connector.Our parts cover such applications as commercial,industrial, and automotives areas.

We are looking forward to setting up business relationship with you and hope to provide you with the best service and solution. Let us make a better world for our industry!



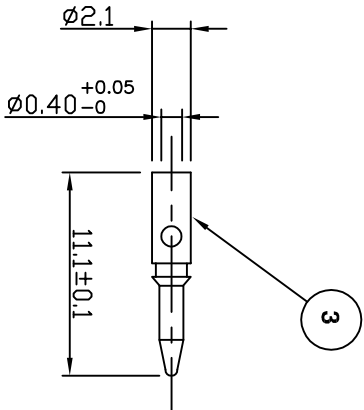
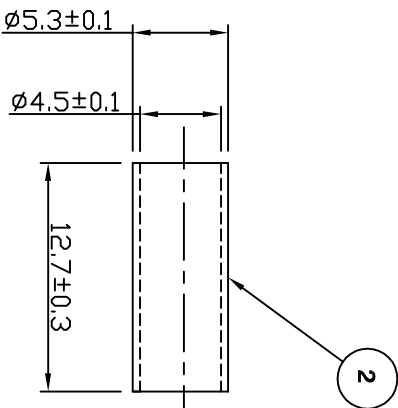
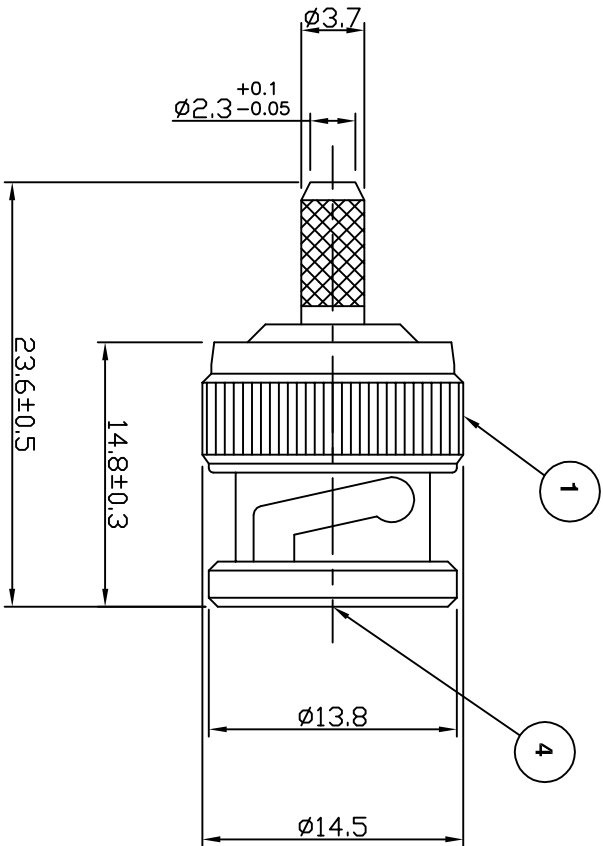
Contact us

Tel: +86-755-8981 8866 Fax: +86-755-8427 6832

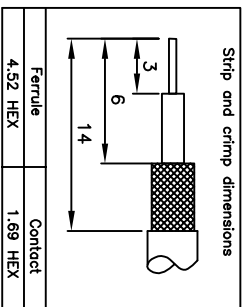
Email & Skype: info@chipsmall.com Web: www.chipsmall.com

Address: A1208, Overseas Decoration Building, #122 Zhenhua RD., Futian, Shenzhen, China





For stripping and assembly instructions see Drawing Number: VAIB1101



Strip And Crimp Dims Added	LB	4	26 Aug 09
CAD Issue	SN	3	18 Jan 02
Pin hole size changed	AT	2	21 Jan 98
First Issue	AT	1	04 March 96
DESCRIPTION OF REVISION	APPVD	ISS	DATE

Electrical Characteristics

- Nominal Impedance: 75 ohms
- Frequency Range: DC to 1 GHz
- VSWR: 1.35:1 maximum
- Insertion Loss: 0.1 dB at 1 GHz
- Operating Voltage (rms): 500 V maximum at sea level
- Dielectric Withstand Voltage (rms): 1500 V maximum at sea level
- Contact Resistance: 1.5 milliohms maximum
- Insulation Resistance: 5000 megohms minimum

Mechanical Characteristics

- Mating Cycles: 500 cycles minimum
- Interface Dimensions: Conform to MIL-C-39012

Environmental Characteristics

- Temperature Range: -65 °C to +165 °C

PART	DESCRIPTION
1	Body Brass, nickel plated 2.54 μ m
2	Ferrule Brass, nickel plated 2.54 μ m
3	Contact Brass, gold plated 0.076 μ m - 0.127 μ m
4	Dielectric PTFE

EMERSON
Network Power

Connectivity Solutions
7-13 Russel Way,
Widford Industrial Estate,
Chelmsford, Essex,
CM1 3AA, UK.
Tel: +44 (0) 1245 369515
Fax: +44 (0) 1245 358938

SCALE: Not To Scale	DRAWN BY: S Nash
DIMENSIONS: mm	CHECKED BY: P Couzens
TOLERANCES: ± 0.2 mm unless otherwise stated	APPROVED BY: P Couzens
DATE: 18 Jan 02	

TITLE: BNC Crimp Plug for RG179, RG187, BT3002, TZC75024, and PSF1/7M	PART NUMBER: VB10-2062
	PAGE: 1 of 1