



Chipsmall Limited consists of a professional team with an average of over 10 year of expertise in the distribution of electronic components. Based in Hongkong, we have already established firm and mutual-benefit business relationships with customers from,Europe,America and south Asia,supplying obsolete and hard-to-find components to meet their specific needs.

With the principle of “Quality Parts,Customers Priority,Honest Operation,and Considerate Service”,our business mainly focus on the distribution of electronic components. Line cards we deal with include Microchip,ALPS,ROHM,Xilinx,Pulse,ON,Everlight and Freescale. Main products comprise IC,Modules,Potentiometer,IC Socket,Relay,Connector.Our parts cover such applications as commercial,industrial, and automotives areas.

We are looking forward to setting up business relationship with you and hope to provide you with the best service and solution. Let us make a better world for our industry!



## Contact us

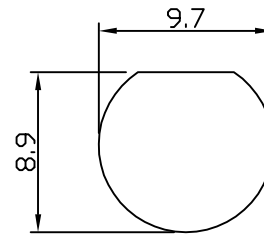
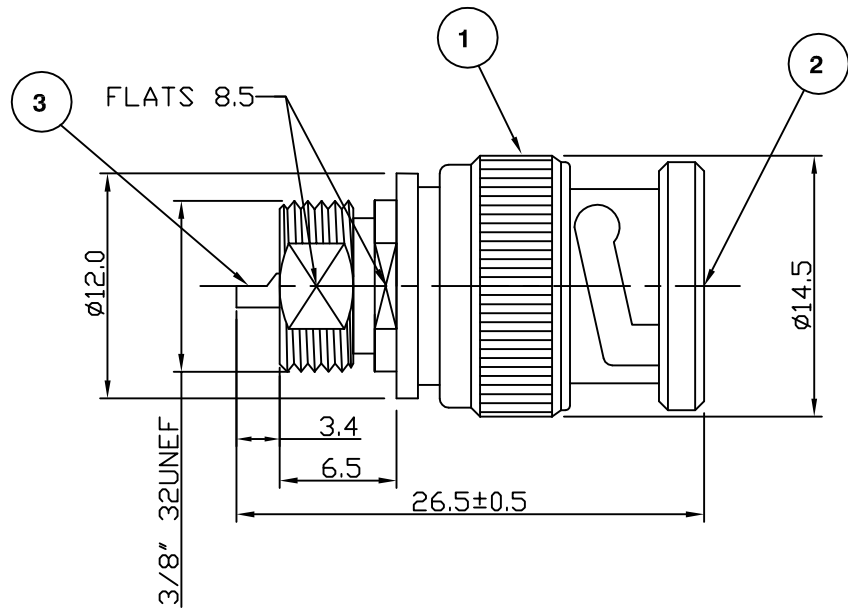
Tel: +86-755-8981 8866 Fax: +86-755-8427 6832

Email & Skype: info@chipsmall.com Web: www.chipsmall.com

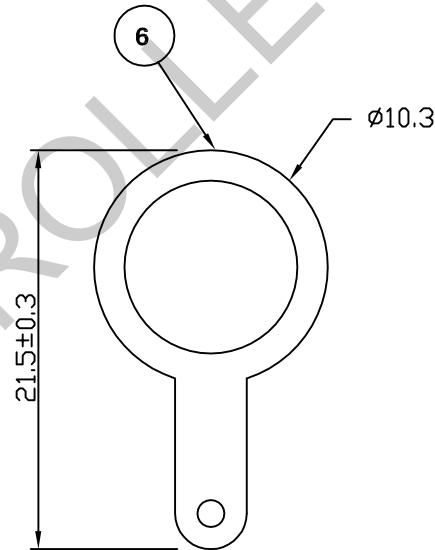
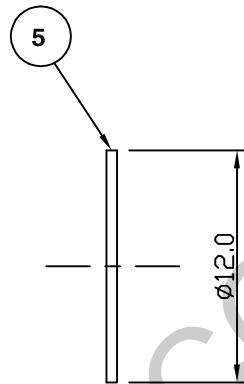
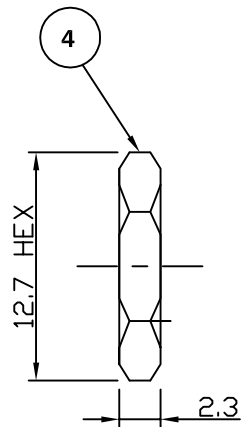
Address: A1208, Overseas Decoration Building, #122 Zhenhua RD., Futian, Shenzhen, China



RoHS COMPLIANT



MOUNTING HOLE



**Electrical Characteristics**

Nominal Impedance:	50 ohms
Frequency Range:	DC to 4 GHz
Insertion Loss:	0.2 dB at 3 GHz
Operating Voltage (rms):	500 V maximum at sea level
Dielectric Withstand Voltage (rms):	1500 V maximum at sea level
Contact Resistance:	1.5 milliohms maximum
Insulation Resistance:	5000 megohms minimum

**Mechanical Characteristics**

Mating Cycles:	500 cycles minimum
Interface Dimensions:	Conform to MIL-C-39012

**Environmental Characteristics**

Temperature Range:	-55 °C to +85 °C
--------------------	------------------

PART	DESCRIPTION	
1	Body	Brass, nickel plated 1.78 µm
2	Dielectric	POM
3	Contact	Brass, gold plated 0.08 µm to 0.13 µm
4	Nut	Brass, nickel plated 1.78 µm
5	Washer	Brass, nickel plated 1.78 µm
6	Washer	Brass, nickel plated 1.78 µm

Added Dimension	JC	4	10 Jan 11
Changed Supplier	MS	3	04 Sep 07
Address changed	JW	2	02 Dec 05
First Issue	SN	1	15 April 02
DESCRIPTION OF REVISION	APPVD	ISS	DATE



Cinch Connectivity Solutions  
 7-13 Russel Way,  
 Widford Industrial Estate,  
 Chelmsford, Essex,  
 CM1 3AA, UK.  
 Tel: +44 (0) 1245 359515  
 Fax: +44 (0) 1245 358938

SCALE: Not To Scale

DIMENSIONS: mm

TOLERANCES:  
 ± 0.2mm unless  
 otherwise stated

DRAWN BY:	S Nash
CHECKED BY:	S Nash
APPROVED BY:	G Dalton
DATE:	15 April 02

TITLE:

BNC Bulkhead Plug

PART NUMBER:

**VB2094**

PAGE: 1 of 1