



Chipsmall Limited consists of a professional team with an average of over 10 year of expertise in the distribution of electronic components. Based in Hongkong, we have already established firm and mutual-benefit business relationships with customers from,Europe,America and south Asia,supplying obsolete and hard-to-find components to meet their specific needs.

With the principle of "Quality Parts,Customers Priority,Honest Operation,and Considerate Service",our business mainly focus on the distribution of electronic components. Line cards we deal with include Microchip,ALPS,ROHM,Xilinx,Pulse,ON,Everlight and Freescale. Main products comprise IC,Modules,Potentiometer,IC Socket,Relay,Connector.Our parts cover such applications as commercial,industrial, and automotives areas.

We are looking forward to setting up business relationship with you and hope to provide you with the best service and solution. Let us make a better world for our industry!



Contact us

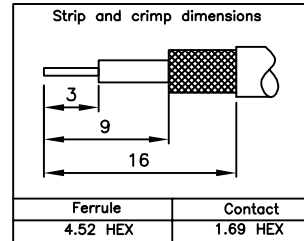
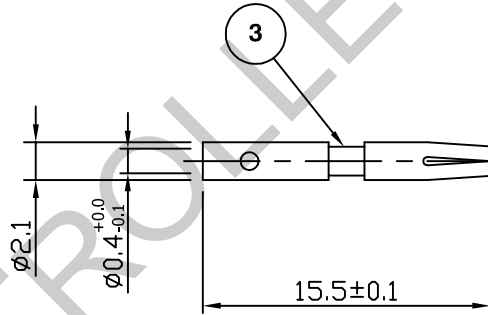
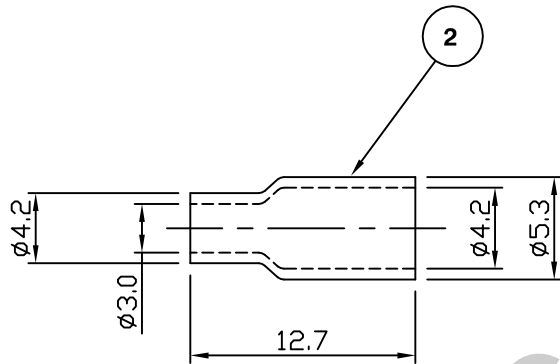
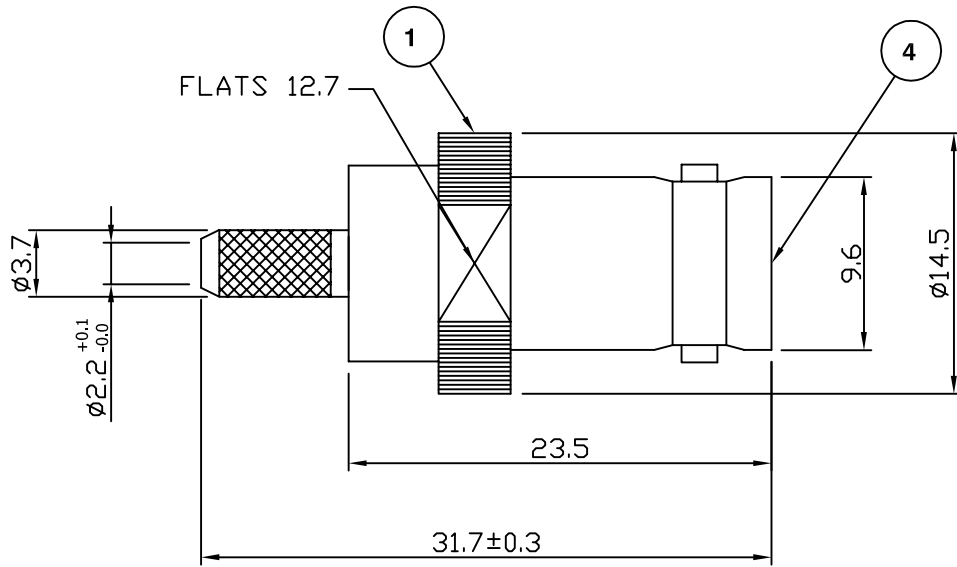
Tel: +86-755-8981 8866 Fax: +86-755-8427 6832

Email & Skype: info@chipsmall.com Web: www.chipsmall.com

Address: A1208, Overseas Decoration Building, #122 Zhenhua RD., Futian, Shenzhen, China



RoHS COMPLIANT



For stripping and assembly instructions see Drawing Number: VAIB3101

Electrical Characteristics

Nominal Impedance:	75 ohms
Frequency Range:	DC to 1 GHz
VSWR:	1.3:1 maximum
Insertion Loss:	0.2 dB at 1 GHz
Operating Voltage (rms):	500 V maximum at sea level
Dielectric Withstand Voltage (rms):	1500 V maximum at sea level
Contact Resistance:	1.5 milliohms maximum
Insulation Resistance:	5000 megohms minimum

Mechanical Characteristics

Mating Cycles:	500 cycles minimum
Interface Dimensions:	Conform to MIL-C-39012

Environmental Characteristics

Temperature Range:	-65 °C to +165 °C
--------------------	-------------------

PART	DESCRIPTION
1	Body Brass, nickel plated 1.78 µm
2	Ferrule Brass, nickel plated 1.78 µm
3	Contact Brass, gold plated 0.076 µm - 0.127 µm
4	Dielectric PTFE

Drawing Update	LB	4	26 Jan 10
CAD Issue	SN	3	21 Jan 02
Change Straight Ferrule To Tapered	DH	2	19 May 97
First Issue	DH	1	5 Sept 94
DESCRIPTION OF REVISION	APPVD	ISS	DATE



Cinch Connectivity Solutions
7-13 Russel Way,
Widford Industrial Estate,
Chelmsford, Essex,
CM1 3AA, UK.
Tel: +44 (0) 1245 359515
Fax: +44 (0) 1245 358938

SCALE: Not To Scale

DIMENSIONS: mm

TOLERANCES:
± 0.2mm unless
otherwise stated

DRAWN BY:

L Barnsley

CHECKED BY:

M Spooner

APPROVED BY:

M Spooner

DATE:

26 Jan 10

TITLE:

BNC Crimp Jack for
RG179

PART NUMBER:

VB30-2061

PAGE: 1 of 1