



Chipsmall Limited consists of a professional team with an average of over 10 year of expertise in the distribution of electronic components. Based in Hongkong, we have already established firm and mutual-benefit business relationships with customers from,Europe,America and south Asia,supplying obsolete and hard-to-find components to meet their specific needs.

With the principle of “Quality Parts,Customers Priority,Honest Operation,and Considerate Service”,our business mainly focus on the distribution of electronic components. Line cards we deal with include Microchip,ALPS,ROHM,Xilinx,Pulse,ON,Everlight and Freescale. Main products comprise IC,Modules,Potentiometer,IC Socket,Relay,Connector.Our parts cover such applications as commercial,industrial, and automotives areas.

We are looking forward to setting up business relationship with you and hope to provide you with the best service and solution. Let us make a better world for our industry!



Contact us

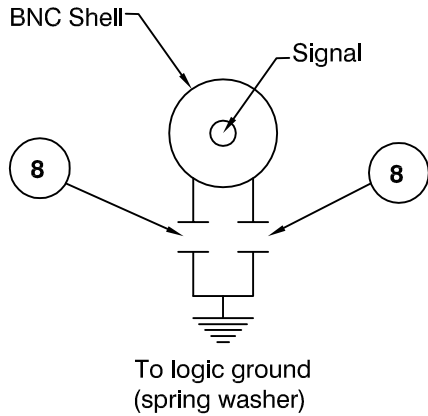
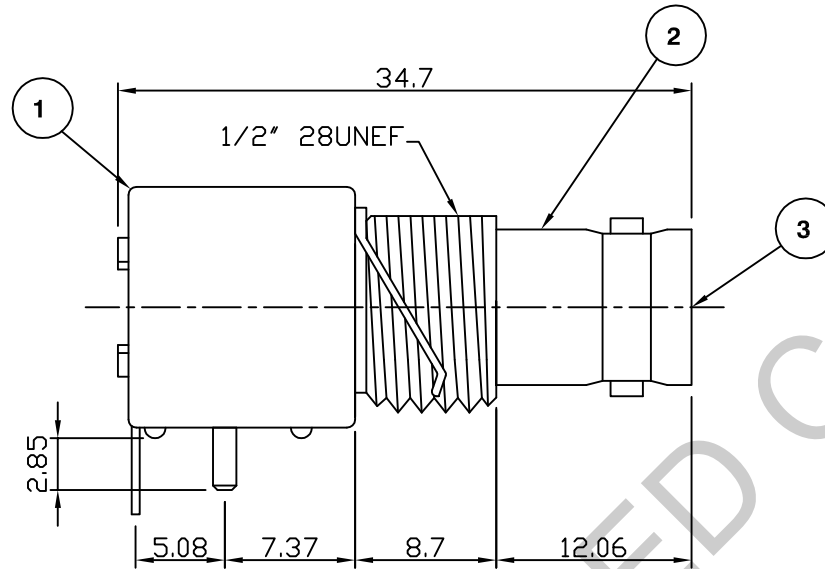
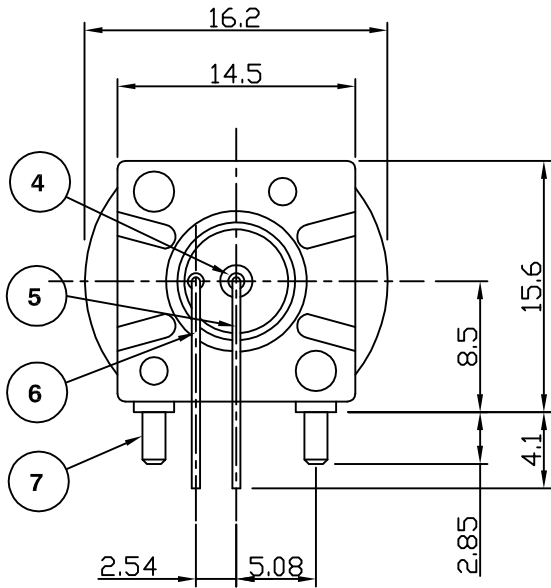
Tel: +86-755-8981 8866 Fax: +86-755-8427 6832

Email & Skype: info@chipsmall.com Web: www.chipsmall.com

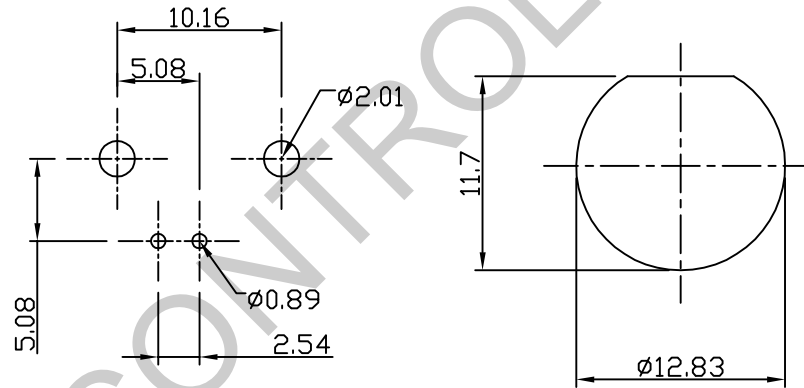
Address: A1208, Overseas Decoration Building, #122 Zhenhua RD., Futian, Shenzhen, China



RoHS COMPLIANT



Capacitor Circuit Diagram



Recommended PCB Layout

Panel Cutout

Electrical Characteristics

| | |
|-------------------------------------|-----------------------------|
| Nominal Impedance: | 50 ohms |
| Frequency Range: | DC to 1 GHz |
| Operating Voltage (rms): | 500 V maximum at sea level |
| Dielectric Withstand Voltage (rms): | 1500 V maximum at sea level |
| Contact Resistance: | 3.0 milliohms maximum |
| Insulation Resistance: | 5000 megohms minimum |

Mechanical Characteristics

| | |
|-----------------------|------------------------|
| Mating Cycles: | 500 cycles minimum |
| Interface Dimensions: | Conform to MIL-C-39012 |

Environmental Characteristics

| | |
|--------------------|-------------------|
| Temperature Range: | -65 °C to +165 °C |
|--------------------|-------------------|

| PART | DESCRIPTION |
|--------------------------|--|
| 1 Body | PBT + 30% Glass Fibre (UL 94V-0) |
| 2 Body | Zinc Alloy, nickel plated |
| 3 Dielectric | Polypropylene UL 94HB |
| 4 Contact | Phosphor bronze, gold plated (interface) |
| 5 Signal Contact | Phosphor bronze, tin plated |
| 6 Ground Contact | Copper, tin plated |
| 7 Mounting Post | Brass, tin plated |
| 8 Ceramic Chip Capacitor | 4700 pF ±10% |

| | | | |
|-------------------------------------|-------|-----|-----------|
| Corrected note Item 5, was tin lead | MS | 2 | 5 Sep 13 |
| First Issue | SN | 1 | 04 Feb 02 |
| DESCRIPTION OF REVISION | APPVD | ISS | DATE |



Cinch Connectivity Solutions
 11 Bilton Road,
 Chelmsford,
 Essex, CM1 2UP
 UK
 Tel: +44 (0) 1245 359515
 Fax: +44 (0) 1245 358938

SCALE: Not To Scale

DIMENSIONS: mm

TOLERANCES:
 ± 0.2mm unless
 otherwise stated

| | |
|--------------|-----------|
| DRAWN BY: | S Nash |
| CHECKED BY: | S Nash |
| APPROVED BY: | M Nielsen |
| DATE: | 04 Feb 02 |

TITLE:
**BNC Right Angle PCB Mount
 Jack Filter Connector**

PART NUMBER:
VBF201

PAGE: 1 of 1