



Chipsmall Limited consists of a professional team with an average of over 10 year of expertise in the distribution of electronic components. Based in Hongkong, we have already established firm and mutual-benefit business relationships with customers from,Europe,America and south Asia,supplying obsolete and hard-to-find components to meet their specific needs.

With the principle of “Quality Parts,Customers Priority,Honest Operation,and Considerate Service”,our business mainly focus on the distribution of electronic components. Line cards we deal with include Microchip,ALPS,ROHM,Xilinx,Pulse,ON,Everlight and Freescale. Main products comprise IC,Modules,Potentiometer,IC Socket,Relay,Connector.Our parts cover such applications as commercial,industrial, and automotives areas.

We are looking forward to setting up business relationship with you and hope to provide you with the best service and solution. Let us make a better world for our industry!



Contact us

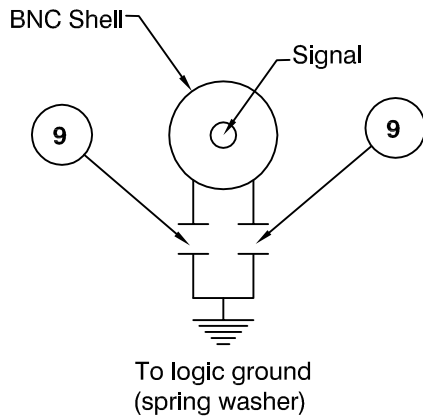
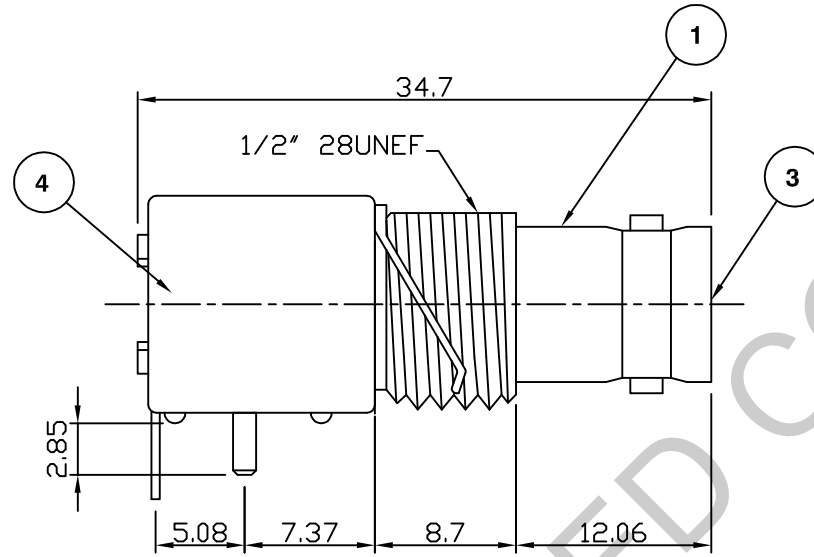
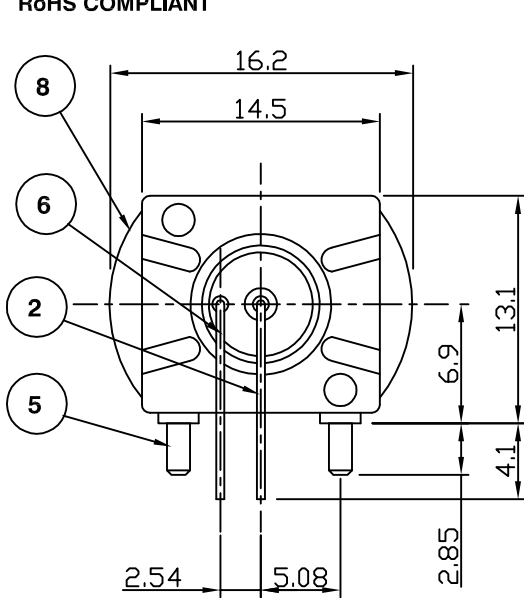
Tel: +86-755-8981 8866 Fax: +86-755-8427 6832

Email & Skype: info@chipsmall.com Web: www.chipsmall.com

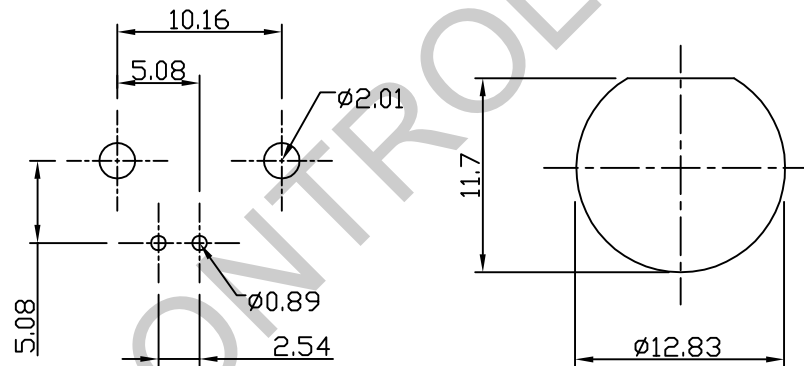
Address: A1208, Overseas Decoration Building, #122 Zhenhua RD., Futian, Shenzhen, China



RoHS COMPLIANT



Capacitor Circuit Diagram



Recommended PCB Layout

Panel Cutout

Electrical Characteristics

| | |
|-------------------------------------|----------------------------|
| Nominal Impedance: | 75 ohms |
| Frequency Range: | DC to 1 GHz |
| Operating Voltage (rms): | 500 V maximum at sea level |
| Dielectric Withstand Voltage (rms): | 500 V maximum at sea level |
| Contact Resistance: | 3.0 milliohms maximum |
| Insulation Resistance: | 5000 megohms minimum |

Mechanical Characteristics

| | |
|-----------------------|------------------------|
| Mating Cycles: | 500 cycles minimum |
| Interface Dimensions: | Conform to MIL-C-39012 |

Environmental Characteristics

| | |
|--------------------|-------------------|
| Temperature Range: | -65 °C to +165 °C |
|--------------------|-------------------|

| PART | DESCRIPTION |
|------|---|
| 1 | Body Nickel Plating over Zinc Alloy |
| 2 | Centre Contact Phosphor Bronze with Gold Plating at contact area, Tin Plating at tail. |
| 3 | Inner Insulator Polypropylene UL 94HB |
| 4 | Housing PBT +30% Glass Fibre (UL:94V-0) |
| 5 | Mounting Post Tin Plating over Brass |
| 6 | Grounding Terminal Tin Plating over Copper Wire |
| 7 | Rivet Nickel Plating over Brass |
| 8 | Spring Washer Nickel Plating over Phosphor Bronze |
| 9 | Ceramic Chip Capacitor 4700pF ±10% |

| | | | |
|-----------------------------|-------|-----|-----------|
| Updated for RoHS compliance | JW | 3 | 04 Apr 06 |
| CAD Issue | SN | 2 | 04 Feb 02 |
| First Issue | AT | 1 | 24 Nov 95 |
| DESCRIPTION OF REVISION | APPVD | ISS | DATE |



Cinch Connectivity Solutions
7-13 Russel Way,
Widford Industrial Estate,
Chelmsford, Essex,
CM1 3AA, UK.
Tel: +44 (0) 1245 359515
Fax: +44 (0) 1245 358938

SCALE: Not To Scale

DIMENSIONS: mm

TOLERANCES:
± 0.2mm unless
otherwise stated

DRAWN BY:

J Williams

CHECKED BY:

M Terry

APPROVED BY:

A Tusi

DATE:

04 Apr 06

TITLE:

Low Profile BNC Right Angle
PCB Mount Filter Jack

PART NUMBER:

VBF211-75

PAGE: 1 of 1