



Chipsmall Limited consists of a professional team with an average of over 10 year of expertise in the distribution of electronic components. Based in Hongkong, we have already established firm and mutual-benefit business relationships with customers from,Europe,America and south Asia,supplying obsolete and hard-to-find components to meet their specific needs.

With the principle of “Quality Parts,Customers Priority,Honest Operation,and Considerate Service”,our business mainly focus on the distribution of electronic components. Line cards we deal with include Microchip,ALPS,ROHM,Xilinx,Pulse,ON,Everlight and Freescale. Main products comprise IC,Modules,Potentiometer,IC Socket,Relay,Connector.Our parts cover such applications as commercial,industrial, and automotives areas.

We are looking forward to setting up business relationship with you and hope to provide you with the best service and solution. Let us make a better world for our industry!



Contact us

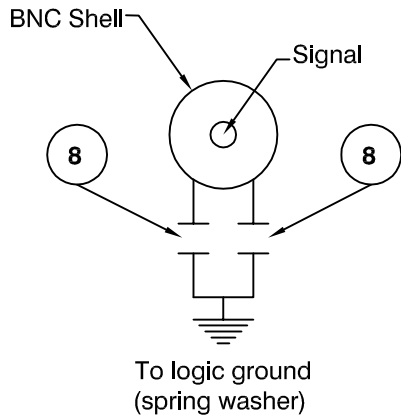
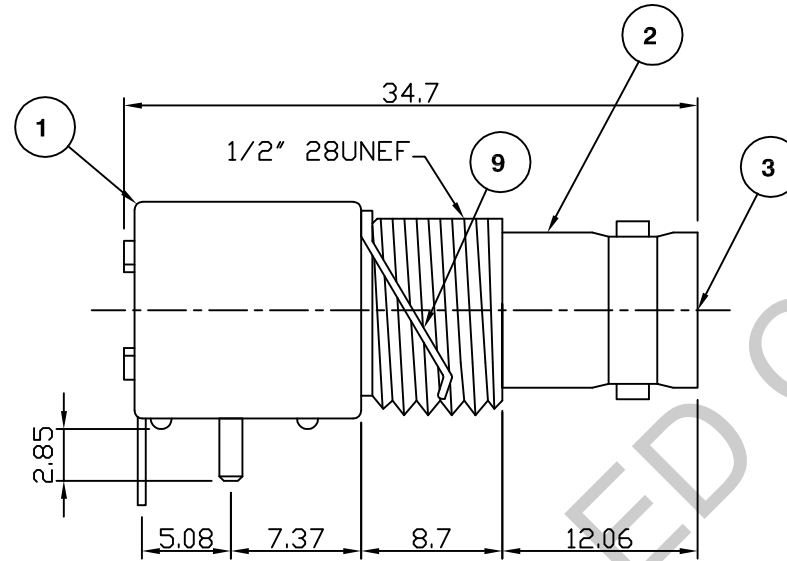
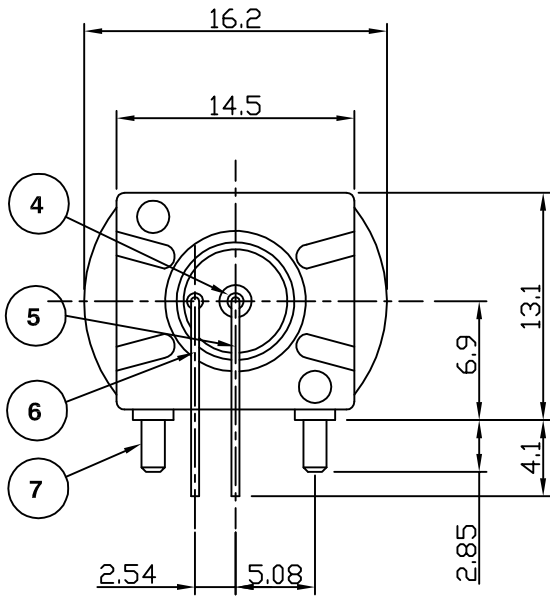
Tel: +86-755-8981 8866 Fax: +86-755-8427 6832

Email & Skype: info@chipsmall.com Web: www.chipsmall.com

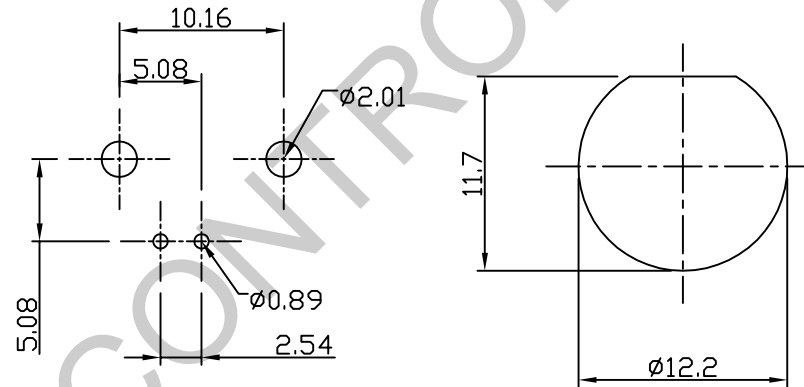
Address: A1208, Overseas Decoration Building, #122 Zhenhua RD., Futian, Shenzhen, China



RoHS COMPLIANT



Capacitor Circuit Diagram



Recommended PCB Layout

Panel Cutout

Electrical Characteristics

Nominal Impedance:	50 ohms
Frequency Range:	DC to 1 GHz
Operating Voltage (rms):	500 V maximum at sea level
Dielectric Withstand Voltage (rms):	500 V maximum at sea level
Contact Resistance:	3.0 milliohms maximum
Insulation Resistance:	5000 megohms minimum

Mechanical Characteristics

Mating Cycles:	500 cycles minimum
Interface Dimensions:	Conform to MIL-C-39012

Environmental Characteristics

Temperature Range:	-65 °C to +165 °C
--------------------	-------------------

PART	DESCRIPTION																																
1	Body																																
2	Body																																
3	Dielectric																																
4	Contact																																
5	Signal Contact																																
6	Ground Contact																																
7	Mounting Post																																
8	Ceramic Chip Capacitor																																
9	Spring Washer																																
<table border="1"> <tr> <td>Corrected finish of Item 5. was tin lead</td> <td>MS</td> <td>7</td> <td>4 Sep 13</td> </tr> <tr> <td>CAD Issue</td> <td>SN</td> <td>6</td> <td>04 Feb 02</td> </tr> <tr> <td>New format</td> <td>DW</td> <td>5</td> <td>22 Feb 99</td> </tr> <tr> <td>Mounting hole size changed</td> <td>IS</td> <td>4</td> <td>27 Aug 92</td> </tr> <tr> <td>Capacitor circuit diagram added</td> <td>IS</td> <td>3</td> <td>19 May 92</td> </tr> <tr> <td>Capacitor values added</td> <td>IS</td> <td>2</td> <td>10 April 92</td> </tr> <tr> <td>First Issue</td> <td>IS</td> <td>1</td> <td>01 March 92</td> </tr> <tr> <td>DESCRIPTION OF REVISION</td> <td>APPVD</td> <td>ISS</td> <td>DATE</td> </tr> </table>		Corrected finish of Item 5. was tin lead	MS	7	4 Sep 13	CAD Issue	SN	6	04 Feb 02	New format	DW	5	22 Feb 99	Mounting hole size changed	IS	4	27 Aug 92	Capacitor circuit diagram added	IS	3	19 May 92	Capacitor values added	IS	2	10 April 92	First Issue	IS	1	01 March 92	DESCRIPTION OF REVISION	APPVD	ISS	DATE
Corrected finish of Item 5. was tin lead	MS	7	4 Sep 13																														
CAD Issue	SN	6	04 Feb 02																														
New format	DW	5	22 Feb 99																														
Mounting hole size changed	IS	4	27 Aug 92																														
Capacitor circuit diagram added	IS	3	19 May 92																														
Capacitor values added	IS	2	10 April 92																														
First Issue	IS	1	01 March 92																														
DESCRIPTION OF REVISION	APPVD	ISS	DATE																														



Cinch Connectivity Solutions
 11 Bilton Road,
 Chelmsford,
 Essex,
 CM1 2UP, UK.
 Tel: +44 (0) 1245 359515
 Fax: +44 (0) 1245 358938

SCALE: Not To Scale

DIMENSIONS: mm

TOLERANCES:
 ± 0.2mm unless
 otherwise stated

DRAWN BY:	S Nash
CHECKED BY:	S Nash
APPROVED BY:	M Nielsen
DATE:	04 Feb 02

TITLE:
**Low Profile BNC Right Angle
 PCB Mount Jack Filter
 Connector**

PART NUMBER:
VBF211

PAGE: 1 of 1