



Chipsmall Limited consists of a professional team with an average of over 10 year of expertise in the distribution of electronic components. Based in Hongkong, we have already established firm and mutual-benefit business relationships with customers from,Europe,America and south Asia,supplying obsolete and hard-to-find components to meet their specific needs.

With the principle of “Quality Parts,Customers Priority,Honest Operation,and Considerate Service”,our business mainly focus on the distribution of electronic components. Line cards we deal with include Microchip,ALPS,ROHM,Xilinx,Pulse,ON,Everlight and Freescale. Main products comprise IC,Modules,Potentiometer,IC Socket,Relay,Connector.Our parts cover such applications as commercial,industrial, and automotives areas.

We are looking forward to setting up business relationship with you and hope to provide you with the best service and solution. Let us make a better world for our industry!



Contact us

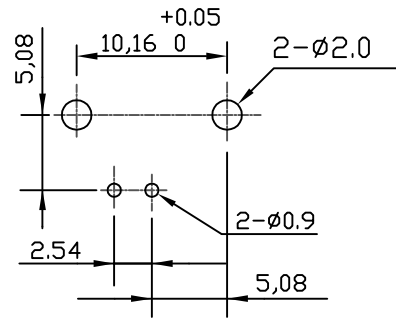
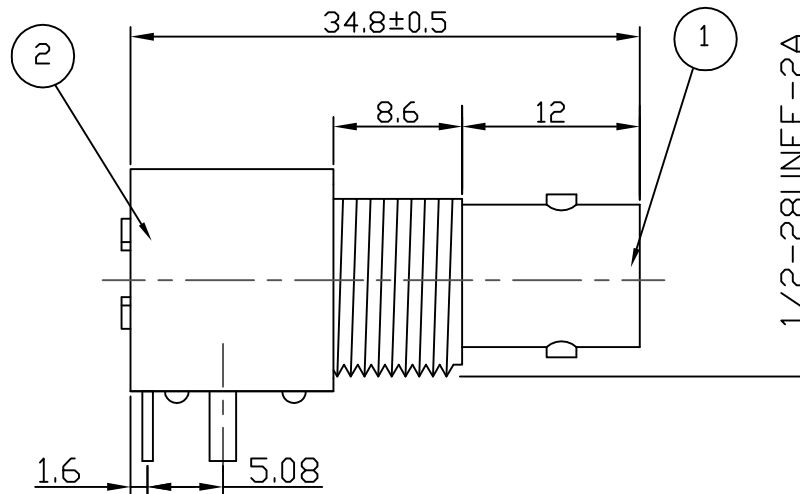
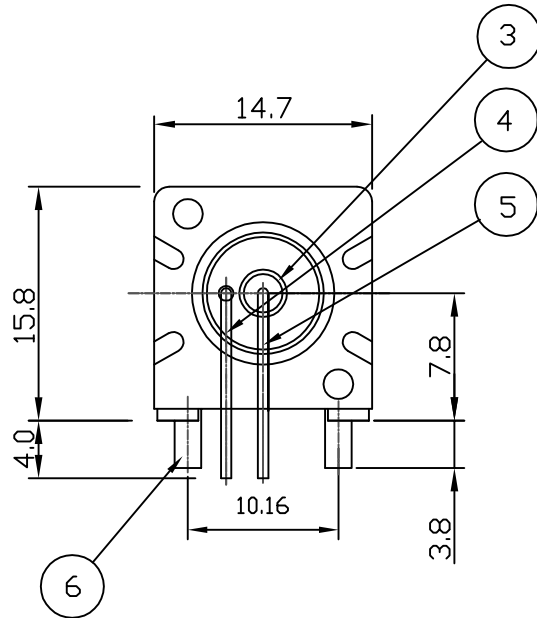
Tel: +86-755-8981 8866 Fax: +86-755-8427 6832

Email & Skype: info@chipsmall.com Web: www.chipsmall.com

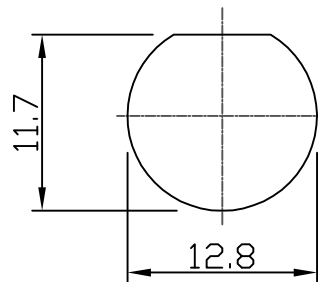
Address: A1208, Overseas Decoration Building, #122 Zhenhua RD., Futian, Shenzhen, China



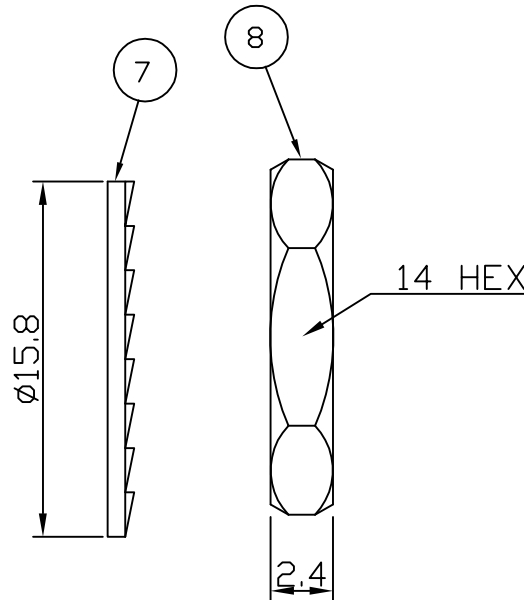
RoHS COMPLIANT



RECOMMENDED PCB LAYOUT



RECOMMENDED PANEL CUTOUT



Electrical Characteristics

Nominal Impedance:	75 ohms
Frequency Range:	DC to 1 GHz
VSWR:	1.3:1 maximum
Insertion Loss:	0.2 dB at 1 GHz
Operating Voltage (rms):	500 V maximum at sea level
Dielectric Withstand Voltage (rms):	1500 V maximum at sea level
Contact Resistance:	1.5 milliohms maximum
Insulation Resistance:	5000 megohms minimum

Mechanical Characteristics

Mating Cycles:	500 cycles minimum
Interface Dimensions:	Conform to MIL-C-39012

Environmental Characteristics

Temperature Range:	-65 °C to +165 °C
--------------------	-------------------

PART	DESCRIPTION
1	Shell Zinc Alloy, nickel plated
2	Body P.B.T. UL94V-0
3	Dielectric Polypropylene
4	Ground Terminal Brass, tin plated
5	Socket Contact Phosphor Bronze, gold plated
6	Mount Post Brass, tin plated >5 Microns
7	Lock Washer Iron, nickel plated
8	Hex Nut Zinc, nickel plated

DESCRIPTION OF REVISION	APPVD	ISS	DATE
Dimension Update	JC	7	13 May 15
1.6 Dimension Added	LB	6	20 May 10
Dimensional Changes	MS	5	07 May 08
Dimensional Changes	KA	4	13 Mar 08
CAD Issue	SN	3	14 Jan 02
Dimensional changes	PDC	2	04 Feb 00
First Issue	AT	1	19 Dec 97



11 Bilton Road,
Chelmsford, Essex,
CM1 2UP UK.
Tel: +44 (0) 1245 359515
Fax: +44 (0) 1245 358938

SCALE: Not To Scale

DIMENSIONS: mm

TOLERANCES:
± 0.2mm unless
otherwise stated

DRAWN BY:	S Nash
CHECKED BY:	S Nash
APPROVED BY:	M Nielsen
DATE:	14 Jan 02

TITLE:
BNC R/A PCB Mount Jack

PART NUMBER:
VBI201-75

PAGE: 1 of 1