



Chipsmall Limited consists of a professional team with an average of over 10 year of expertise in the distribution of electronic components. Based in Hongkong, we have already established firm and mutual-benefit business relationships with customers from,Europe,America and south Asia,supplying obsolete and hard-to-find components to meet their specific needs.

With the principle of “Quality Parts,Customers Priority,Honest Operation,and Considerate Service”,our business mainly focus on the distribution of electronic components. Line cards we deal with include Microchip,ALPS,ROHM,Xilinx,Pulse,ON,Everlight and Freescale. Main products comprise IC,Modules,Potentiometer,IC Socket,Relay,Connector.Our parts cover such applications as commercial,industrial, and automotives areas.

We are looking forward to setting up business relationship with you and hope to provide you with the best service and solution. Let us make a better world for our industry!



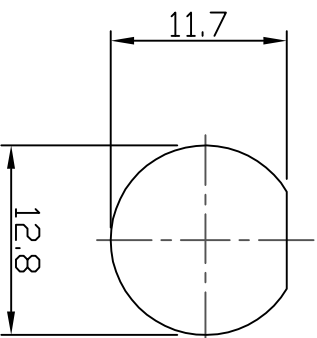
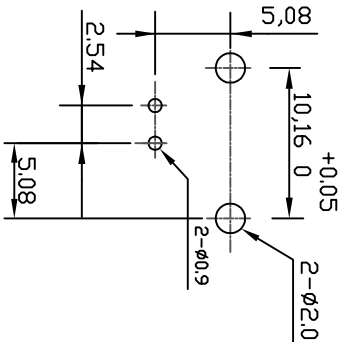
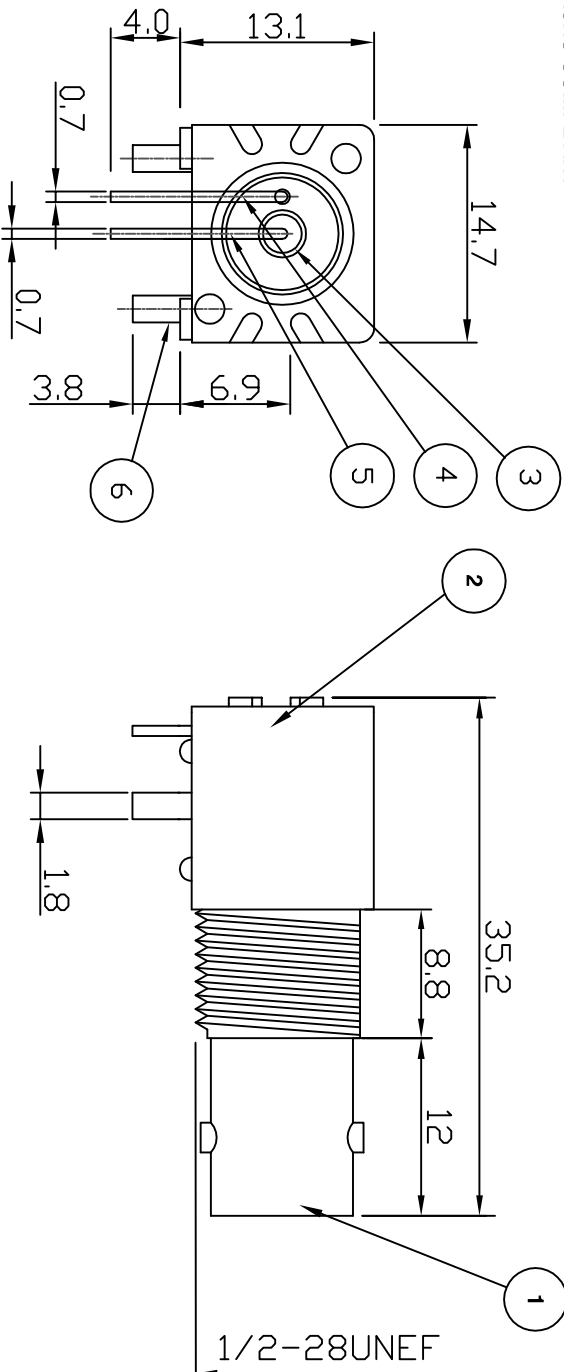
## Contact us

Tel: +86-755-8981 8866 Fax: +86-755-8427 6832

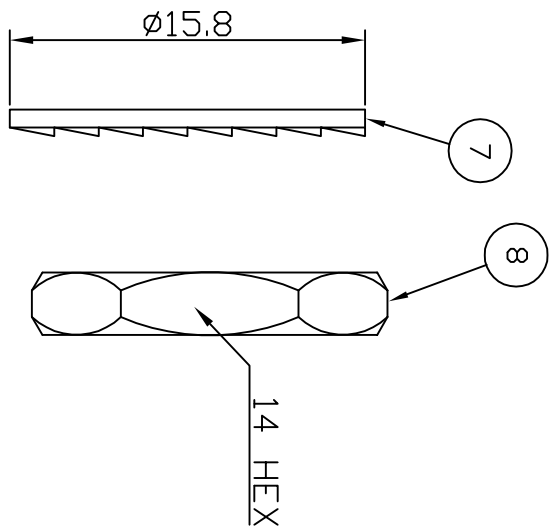
Email & Skype: info@chipsmall.com Web: www.chipsmall.com

Address: A1208, Overseas Decoration Building, #122 Zhenhua RD., Futian, Shenzhen, China





RECOMMENDED  
PANEL CUTOUT



**Electrical Characteristics**

Nominal Impedance: 50 ohms  
 Frequency Range: DC to 4 GHz  
 VSWR: 2:1 maximum  
 Operating Voltage (rms): 500 V maximum at sea level  
 Dielectric Withstand Voltage (rms): 1500 V maximum at sea level  
 Center Contact Resistance: 3 milliohms maximum  
 Outer Contact Resistance: 2 milliohms maximum  
 Insulation Resistance: 5000 megohms minimum  
**Mechanical Characteristics**  
 Mating Cycles: 500 cycles minimum

**Environmental Characteristics**

Temperature Range: -40 °C to +85 °C

PART	DESCRIPTION
1	Shell Zinc Alloy, nickel plated
2	Body P.B.T. UL94V-0 (White)
3	Dielectric Polypropylene
4	Ground Terminal Brass, tin plated
5	Socket Contact Phosphor Bronze, gold plated
6	Mount Post Brass, tin plated >5 Microns
7	Lock Washer Iron, nickel plated
8	Hex Nut Brass, nickel plated

Posts and contact dimension change	JC	11	09 July 15
ECN 2015-005	JC	10	28 May 15
Text Change	JC	9	24 Jan 13
PCB Mounting Dimensions Corrected	LB	8	21 Jan 09
Complete Update	KA	7	13 Mar 08
Updated Address	KA	6	22 Feb 08
CAD Issue	SN	5	05 Feb 02
Added UL Numbers	AT	4	01 June 99
DESCRIPTION OF REVISION	APPVD	ISS	DATE

TITLE:

**BNC R/A PCB Mount Jack  
(low profile)**

PART NUMBER:

**VB1211**

SCALE: Not To Scale  
 DIMENSIONS: mm  
 TOLERANCES:  
 ± 0.2mm unless  
 otherwise stated

DRAWN BY:

S Nash

CHECKED BY:

S Nash

APPROVED BY:

M Nielsen

DATE:

05 Feb 02



11 Bilton Road,  
 Chelmsford Essex,  
 CM1 2UP, UK.  
 Tel: +44 (0) 1245 359515  
 Fax: +44 (0) 1245 359398