



Chipsmall Limited consists of a professional team with an average of over 10 year of expertise in the distribution of electronic components. Based in Hongkong, we have already established firm and mutual-benefit business relationships with customers from,Europe,America and south Asia,supplying obsolete and hard-to-find components to meet their specific needs.

With the principle of “Quality Parts,Customers Priority,Honest Operation,and Considerate Service”,our business mainly focus on the distribution of electronic components. Line cards we deal with include Microchip,ALPS,ROHM,Xilinx,Pulse,ON,Everlight and Freescale. Main products comprise IC,Modules,Potentiometer,IC Socket,Relay,Connector.Our parts cover such applications as commercial,industrial, and automotives areas.

We are looking forward to setting up business relationship with you and hope to provide you with the best service and solution. Let us make a better world for our industry!



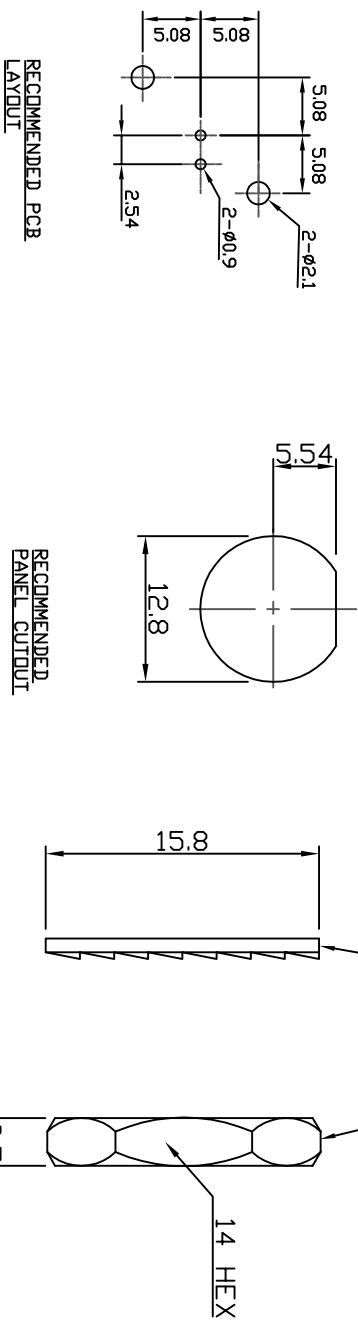
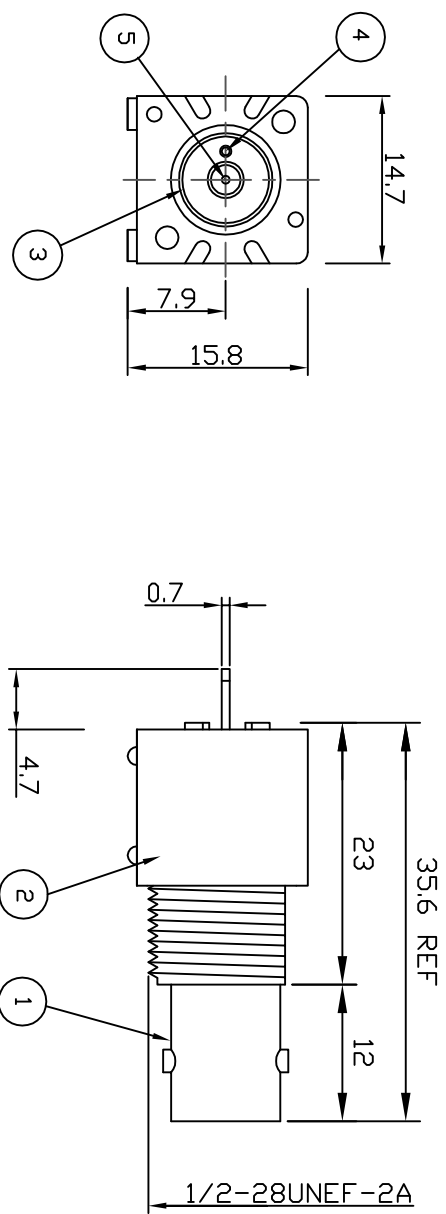
## Contact us

Tel: +86-755-8981 8866 Fax: +86-755-8427 6832

Email & Skype: info@chipsmall.com Web: www.chipsmall.com

Address: A1208, Overseas Decoration Building, #122 Zhenhua RD., Futian, Shenzhen, China





Note: To be supplied with Mounting Screws.

**Electrical Characteristics**  
 Nominal Impedance: 50 ohms  
 Frequency Range: DC to 1 GHz  
 VSWR: 1.3:1 maximum  
 Insertion Loss: 0.2 dB at 1 GHz  
 Operating Voltage (rms): 500 V maximum at sea level  
 Dielectric Withstand Voltage (rms): 1500 V maximum at sea level  
 Contact Resistance: 3.0 milliohms maximum  
 Insulation Resistance: 5000 megohms minimum

**Mechanical Characteristics**  
 Mating Cycles: 500 cycles minimum  
 Interface Dimensions: Conform to MIL-C-39012

**Environmental Characteristics**  
 Temperature Range: -55 °C to +85 °C

REF.	DESCRIPTION	MATERIAL	PLATING
1	Shell	Zinc Alloy	Nickel
2	Body	P.B.T. White	
3	Insulator	PE-606	
4	Ground terminal	Copper Tin	Tin
5	Socket contact	Phosphor Bronze	Gold
6	Lock washer	Steel	Nickel
7	Hex Nut	Brass	Nickel
8	Screw	Steel	Nickel

DESCRIPTION OF REVISION	APPVD	ISS	DATE
Dimension/Title/Material Update	JC	6	07 Oct 15
Drawing Update	JC	5	10 Sept 15
ECN 2015-007	JC	4	11 Aug 15
PCB Layout	MS	3	28 Aug 09
CAD Issue	SN	2	07 Feb 02
First Issue	DH	1	06 Jan 98

SCALE: Not To Scale	DRAWN BY: S Nash
DIMENSIONS: mm	CHECKED BY: S Nash
TOLERANCES: ± 0.2mm unless otherwise stated	APPROVED BY: M Nielsen
	DATE: 07 Feb 02



11 Bilton Road,  
 Chelmsford, Essex,  
 CM1 2UP, UK.  
 Tel: +44 (0) 1245 359515  
 Fax: +44 (0) 1245 358938

**TITLE:**  
 Insulated BNC Vertical PCB  
 Mount Jack.  
 Self-tap PBT body with  
 supplied screws.

**PART NUMBER:**

**VB1302**

PAGE: 1 of 1