



Chipsmall Limited consists of a professional team with an average of over 10 year of expertise in the distribution of electronic components. Based in Hongkong, we have already established firm and mutual-benefit business relationships with customers from,Europe,America and south Asia,supplying obsolete and hard-to-find components to meet their specific needs.

With the principle of “Quality Parts,Customers Priority,Honest Operation,and Considerate Service”,our business mainly focus on the distribution of electronic components. Line cards we deal with include Microchip,ALPS,ROHM,Xilinx,Pulse,ON,Everlight and Freescale. Main products comprise IC,Modules,Potentiometer,IC Socket,Relay,Connector.Our parts cover such applications as commercial,industrial, and automotives areas.

We are looking forward to setting up business relationship with you and hope to provide you with the best service and solution. Let us make a better world for our industry!



Contact us

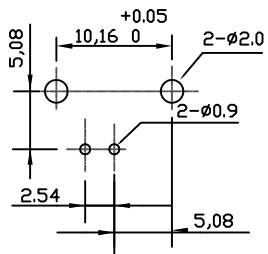
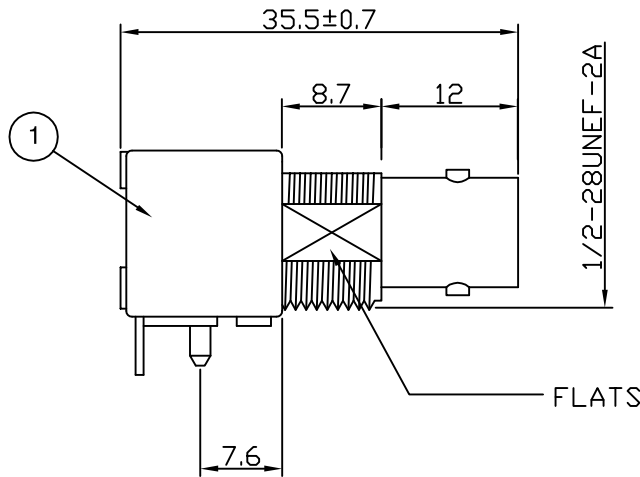
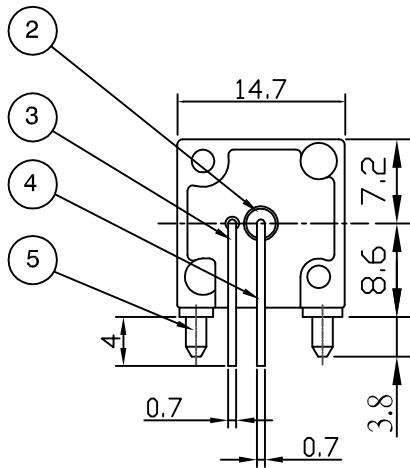
Tel: +86-755-8981 8866 Fax: +86-755-8427 6832

Email & Skype: info@chipsmall.com Web: www.chipsmall.com

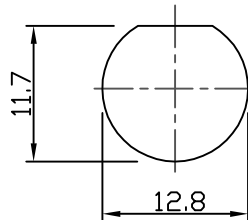
Address: A1208, Overseas Decoration Building, #122 Zhenhua RD., Futian, Shenzhen, China



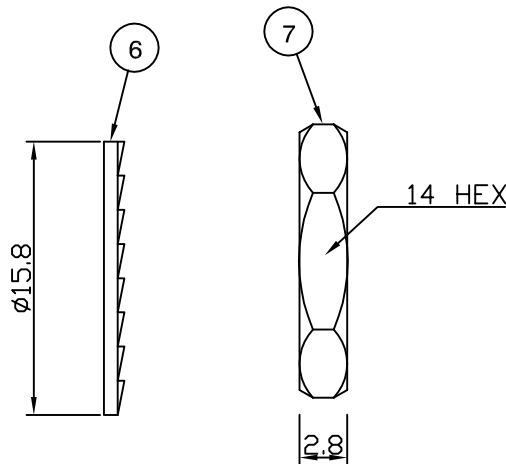
RoHS COMPLIANT



RECOMMENDED PCB LAYOUT



RECOMMENDED PANEL CUTOUT



Electrical Characteristics

Nominal Impedance: 75 ohms
 Frequency Range: DC to 1 GHz
 Operating Voltage (rms): 500 V maximum at sea level
 Dielectric Withstand Voltage (rms): 1500 V maximum at sea level
 Contact Resistance: 3 milliohms maximum
 Insulation Resistance: 5000 megohms minimum

Mechanical Characteristics

Mating Cycles: 5000 cycles minimum
 Interface Dimensions: Conform to MIL-C-39012

Environmental Characteristics

Temperature Range: -55 °C to +85 °C

REF.	DESCRIPTION	MATERIAL	PLATING
1	Body	Zinc Alloy	Nickel
2	Insulator	Polypropylene	
3	Ground Terminal	Copper-clad steel	Tin
4	Socket Contact	Phosphor	Gold
5	Mount Post	Brass	Tin>5Microns
6	Lock Washer	Brass	Nickel
7	Hex Nut	Brass	Nickel

Note : Nuts and washers are supplied loose.

Dimension Updated	JC	8	13 May 15
Dimension Added	JC	7	04 July 12
Complete Update	KA	6	17 Mar 08
Tin plating thickness added	MS	5	5 March 08
Additional dimensions added	JDW	4	22 July 05
CAD Issue	PDC	3	22 Oct 02
Mil spec added	VEL	2	05 Aug 98
First Issue	DJH	1	11 Feb 98
DESCRIPTION OF REVISION	APPVD	ISS	DATE



11 Bilton Road,
 Chelmsford, Essex,
 CM1 2UP UK.
 Tel: +44 (0) 1245 359515
 Fax: +44 (0) 1245 358938

SCALE: Not To Scale

DIMENSIONS: mm

TOLERANCES:
 ± 0.2mm unless
 otherwise stated

DRAWN BY:

P D Couzens

CHECKED BY:

S Nash

APPROVED BY:

R Drenan

DATE:

22 Oct 02

TITLE:

Shielded BNC Right-angle
 PCB Mount Jack

PART NUMBER:

VBM201-75

PAGE: 1 of 1