



Chipsmall Limited consists of a professional team with an average of over 10 year of expertise in the distribution of electronic components. Based in Hongkong, we have already established firm and mutual-benefit business relationships with customers from,Europe,America and south Asia,supplying obsolete and hard-to-find components to meet their specific needs.

With the principle of “Quality Parts,Customers Priority,Honest Operation,and Considerate Service”,our business mainly focus on the distribution of electronic components. Line cards we deal with include Microchip,ALPS,ROHM,Xilinx,Pulse,ON,Everlight and Freescale. Main products comprise IC,Modules,Potentiometer,IC Socket,Relay,Connector.Our parts cover such applications as commercial,industrial, and automotives areas.

We are looking forward to setting up business relationship with you and hope to provide you with the best service and solution. Let us make a better world for our industry!



Contact us

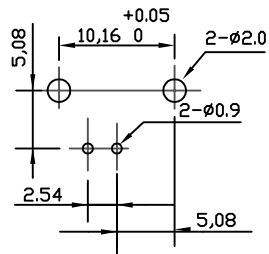
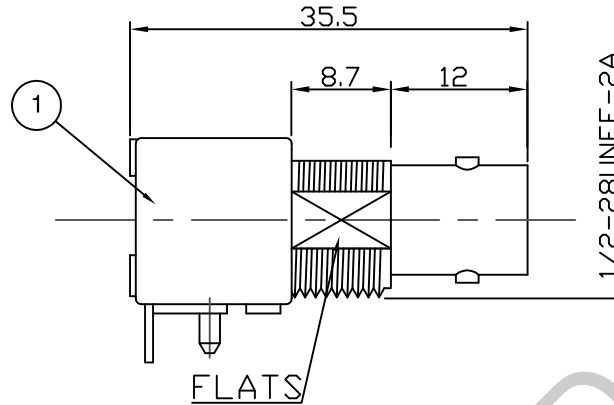
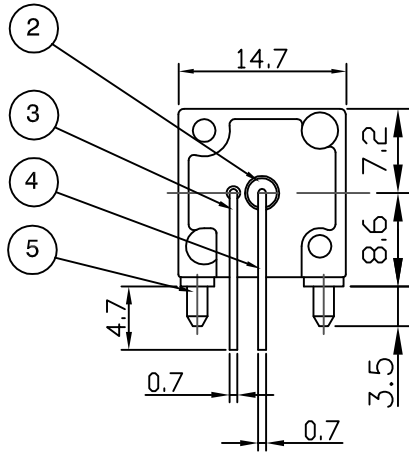
Tel: +86-755-8981 8866 Fax: +86-755-8427 6832

Email & Skype: info@chipsmall.com Web: www.chipsmall.com

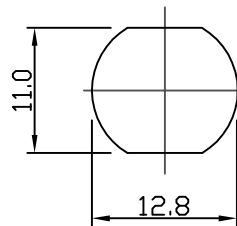
Address: A1208, Overseas Decoration Building, #122 Zhenhua RD., Futian, Shenzhen, China



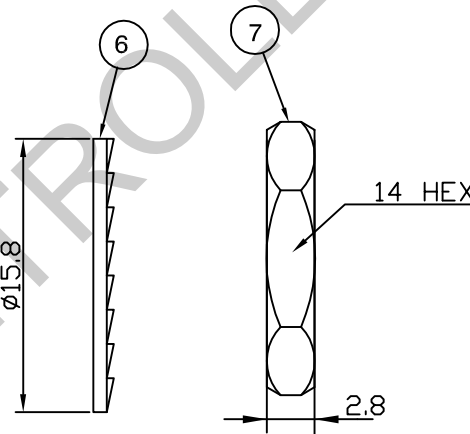
RoHS COMPLIANT



RECOMMENDED PCB LAYOUT



RECOMMENDED PANEL CUTOUT



Electrical Characteristics

Nominal Impedance:	50 ohms
Frequency Range:	DC to 4 GHz
VSWR:	1.3:1 maximum
Insertion Loss:	0.2 dB at 3 GHz
Operating Voltage (rms):	500 V maximum at sea level
Dielectric Withstand Voltage (rms):	1500 V maximum at sea level
Contact Resistance:	3.0 milliohms maximum
Insulation Resistance:	5000 megohms minimum

Mechanical Characteristics

Mating Cycles:	500 cycles minimum
Interface Dimensions:	Conform to MIL-C-39012

Environmental Characteristics

Temperature Range:	-55 °C to +85 °C
--------------------	------------------

REF.	DESCRIPTION	MATERIAL	PLATING
1	Body	Zinc Alloy	Nickel
2	Insulator	Polypropylene	
3	Ground Terminal	Copper-clad steel	Tin
4	Socket Contact	Phosphor	Gold
5	Mount Post	Brass	Tin >5 Microns
6	Lock Washer	Brass	Nickel
7	Hex Nut	Brass	Nickel

DESCRIPTION OF REVISION	APPVD	ISS	DATE
Pannel Cut Out Updated	LB	5	15 Oct 09
Complete Update	KA	4	17 Mar 08
CAD Issue	SN	3	05 Feb 02
Mil spec added	DH	2	05 Aug 98
First Issue	DH	1	11 Feb 98



Cinch Connectivity Solutions
7-13 Russel Way,
Widford Industrial Estate,
Chelmsford, Essex,
CM1 3AA, UK.
Tel: +44 (0) 1245 359515
Fax: +44 (0) 1245 358938

SCALE: Not To Scale

DIMENSIONS: mm

TOLERANCES:
± 0.2mm unless
otherwise stated

DRAWN BY:

S Nash

CHECKED BY:

S Nash

APPROVED BY:

M Nielsen

DATE:

05 Feb 02

TITLE:

**BNC Right Angle PCB Mount
Jack**

PART NUMBER:

VBM201

PAGE: 1 of 1