



Chipsmall Limited consists of a professional team with an average of over 10 year of expertise in the distribution of electronic components. Based in Hongkong, we have already established firm and mutual-benefit business relationships with customers from,Europe,America and south Asia,supplying obsolete and hard-to-find components to meet their specific needs.

With the principle of “Quality Parts,Customers Priority,Honest Operation,and Considerate Service”,our business mainly focus on the distribution of electronic components. Line cards we deal with include Microchip,ALPS,ROHM,Xilinx,Pulse,ON,Everlight and Freescale. Main products comprise IC,Modules,Potentiometer,IC Socket,Relay,Connector.Our parts cover such applications as commercial,industrial, and automotives areas.

We are looking forward to setting up business relationship with you and hope to provide you with the best service and solution. Let us make a better world for our industry!



## Contact us

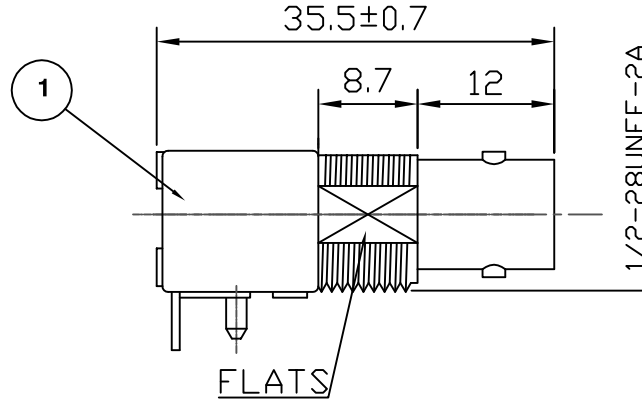
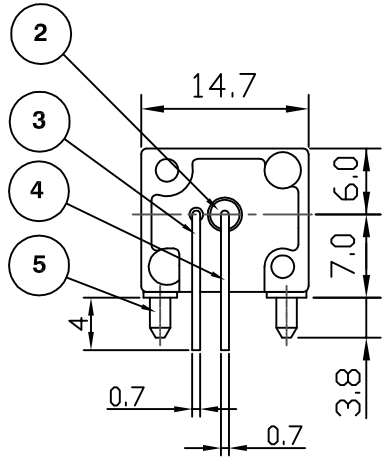
Tel: +86-755-8981 8866 Fax: +86-755-8427 6832

Email & Skype: info@chipsmall.com Web: www.chipsmall.com

Address: A1208, Overseas Decoration Building, #122 Zhenhua RD., Futian, Shenzhen, China



RoHS COMPLIANT



**Electrical Characteristics**

|                                     |                             |
|-------------------------------------|-----------------------------|
| Nominal Impedance:                  | 75 ohms                     |
| Frequency Range:                    | DC to 1GHz                  |
| VSWR:                               | 1.3:1 maximum               |
| Insertion Loss:                     | 0.2 dB at 1 GHz             |
| Operating Voltage (rms):            | 500 V maximum at sea level  |
| Dielectric Withstand Voltage (rms): | 1500 V maximum at sea level |
| Contact Resistance:                 | 3.0 milliohms maximum       |
| Insulation Resistance:              | 5000 megohms minimum        |

**Mechanical Characteristics**

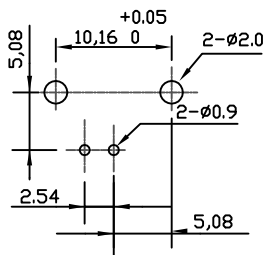
|                       |                        |
|-----------------------|------------------------|
| Mating Cycles:        | 500 cycles minimum     |
| Interface Dimensions: | Conform to MIL-C-39012 |

**Environmental Characteristics**

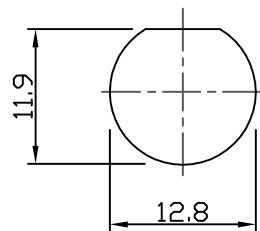
|                    |                  |
|--------------------|------------------|
| Temperature Range: | -55 °C to +85 °C |
|--------------------|------------------|

| REF. | DESCRIPTION     | MATERIAL          | PLATING        |
|------|-----------------|-------------------|----------------|
| 1    | Body            | Zinc Alloy        | Nickel         |
| 2    | Insulator       | POM               |                |
| 3    | Ground Terminal | Copper-Clad Steel | Tin            |
| 4    | Socket Contact  | Phosphor Bronze   | Gold           |
| 5    | Mount Post      | Brass             | Tin >5 Microns |
| 6    | Lock Washer     | Brass             | Nickel         |
| 7    | Hex Nut         | Brass             | Nickel         |

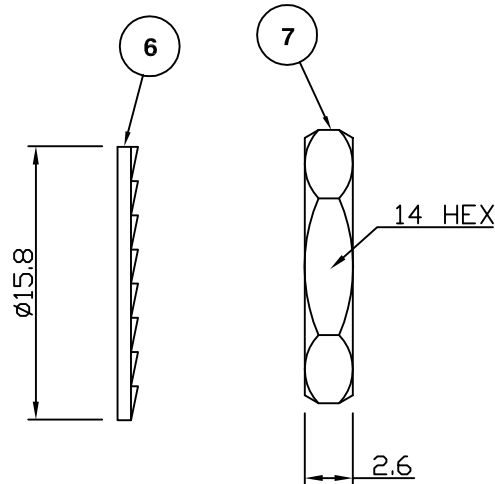
| DESCRIPTION OF REVISION             | APPVD | ISS | DATE      |
|-------------------------------------|-------|-----|-----------|
| Dimension Update                    | JC    | 5   | 13 May 15 |
| Complete Update                     | KA    | 4   | 17 Mar 08 |
| Plating thickness of mtg post added | MS    | 3   | 29 Nov 07 |
| CAD Issue                           | PDC   | 2   | 06 Jun 02 |
| First Issue                         | CBB   | 1   | 02 Sep 99 |



RECOMMENDED PCB LAYOUT



RECOMMENDED PANEL CUTOUT



11 Bilton Road,  
Chelmsford, Essex,  
CM1 2UP UK.  
Tel: +44 (0) 1245 359515  
Fax: +44 (0) 1245 358938

SCALE: Not To Scale

DIMENSIONS: mm

TOLERANCES:  
± 0.2mm unless  
otherwise stated

DRAWN BY:

P Couzens

CHECKED BY:

P Couzens

APPROVED BY:

S Nash

DATE:

06 Jun 02

TITLE:

BNC Right Angle PCB Mount  
Jack Low Profile 75 Ohm

PART NUMBER:

**VBM211-75**

PAGE: 1 of 1