



Chipsmall Limited consists of a professional team with an average of over 10 year of expertise in the distribution of electronic components. Based in Hongkong, we have already established firm and mutual-benefit business relationships with customers from,Europe,America and south Asia,supplying obsolete and hard-to-find components to meet their specific needs.

With the principle of “Quality Parts,Customers Priority,Honest Operation,and Considerate Service”,our business mainly focus on the distribution of electronic components. Line cards we deal with include Microchip,ALPS,ROHM,Xilinx,Pulse,ON,Everlight and Freescale. Main products comprise IC,Modules,Potentiometer,IC Socket,Relay,Connector.Our parts cover such applications as commercial,industrial, and automotives areas.

We are looking forward to setting up business relationship with you and hope to provide you with the best service and solution. Let us make a better world for our industry!



Contact us

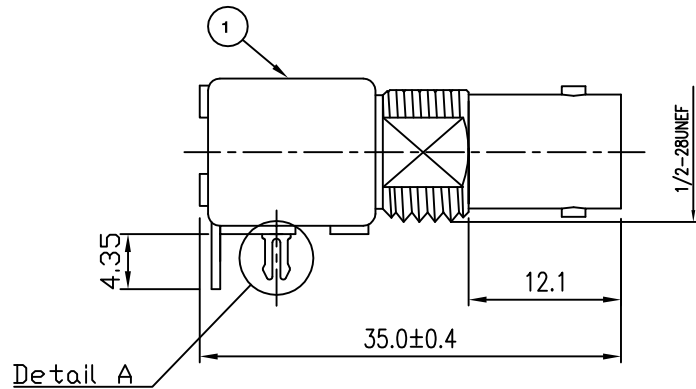
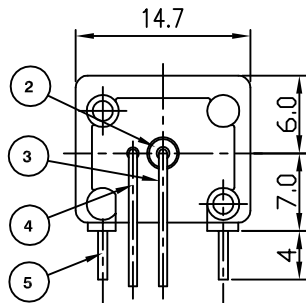
Tel: +86-755-8981 8866 Fax: +86-755-8427 6832

Email & Skype: info@chipsmall.com Web: www.chipsmall.com

Address: A1208, Overseas Decoration Building, #122 Zhenhua RD., Futian, Shenzhen, China



RoHS COMPLIANT



Electrical Characteristics

Nominal Impedance:	75 ohms
Frequency Range:	DC to 1 GHz
VSWR:	1.3:1 maximum
Insertion Loss:	0.2 dB at 1 GHz
Operating Voltage (rms):	500 V maximum at sea level
Dielectric Withstand Voltage (rms):	1500 V maximum at sea level
Contact Resistance:	3.0 milliohms maximum
Insulation Resistance:	500 megohms minimum

Mechanical Characteristics

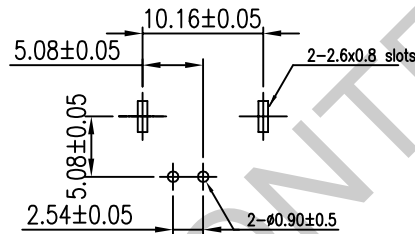
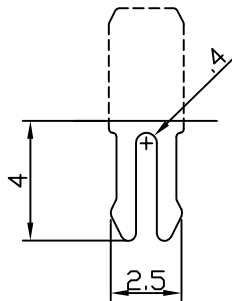
Mating Cycles:	500 cycles minimum
Interface Dimensions:	Conform to MIL-C-39012

Environmental Characteristics

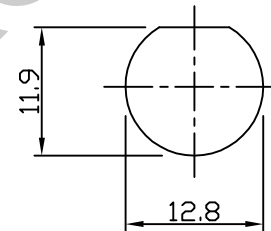
Temperature Range:	-55 °C to +85 °C
--------------------	------------------

PART	DESCRIPTION
1	Body Zinc Alloy, nickel plated
2	Dielectric Polypropylene, UL94V-0
3	Contact Phosphor Bronze, gold plated
4	Ground Contact Copper Clad Steel, tin plated
5	Captive Leg Phosphor Bronze, tin plated >5 microns

Detail A



Recommended PCB Layout



Panel Cutout

DESCRIPTION OF REVISION	APPVD	ISS	DATE
PCB layout changed	MS	4	22 Feb 08
Profile of board lock changed	MS	3	14 Feb 08
CAD Issue	PDC	2	26 Mar 02
First Issue	CBB	1	25 Jan 96



Cinch Connectivity Solutions
7-13 Russel Way,
Widford Industrial Estate,
Chelmsford, Essex,
CM1 3AA, UK.
Tel: +44 (0) 1245 359515
Fax: +44 (0) 1245 358938

SCALE: Not To Scale	DRAWN BY: P Couzens	TITLE: Low Profile BNC Shielded Right Angle PCB Mount Jack	PART NUMBER: VBM211C-75
DIMENSIONS: mm	CHECKED BY: P Couzens		
TOLERANCES: ± 0.2mm unless otherwise stated	APPROVED BY: S Nash		
	DATE: 26 Mar 02		

PAGE: 1 of 1