



Chipsmall Limited consists of a professional team with an average of over 10 year of expertise in the distribution of electronic components. Based in Hongkong, we have already established firm and mutual-benefit business relationships with customers from,Europe,America and south Asia,supplying obsolete and hard-to-find components to meet their specific needs.

With the principle of "Quality Parts,Customers Priority,Honest Operation,and Considerate Service",our business mainly focus on the distribution of electronic components. Line cards we deal with include Microchip,ALPS,ROHM,Xilinx,Pulse,ON,Everlight and Freescale. Main products comprise IC,Modules,Potentiometer,IC Socket,Relay,Connector.Our parts cover such applications as commercial,industrial, and automotives areas.

We are looking forward to setting up business relationship with you and hope to provide you with the best service and solution. Let us make a better world for our industry!



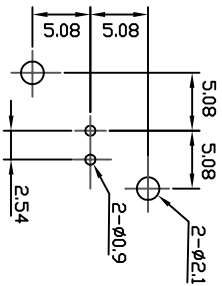
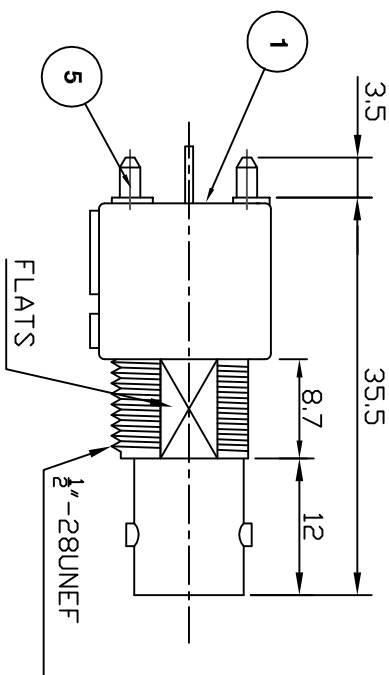
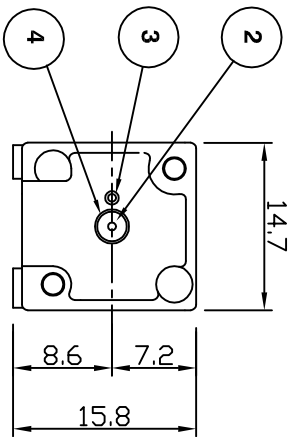
Contact us

Tel: +86-755-8981 8866 Fax: +86-755-8427 6832

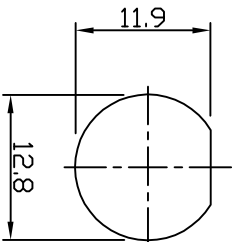
Email & Skype: info@chipsmall.com Web: www.chipsmall.com

Address: A1208, Overseas Decoration Building, #122 Zhenhua RD., Futian, Shenzhen, China

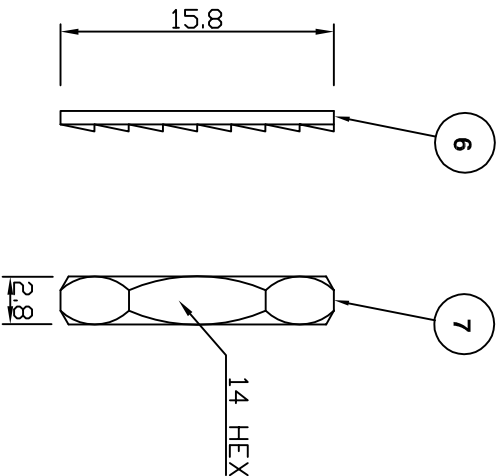




RECOMMENDED PCB LAYOUT



RECOMMENDED PANEL CUTOUT



Electrical Characteristics

Nominal Impedance: 75 ohms
 Frequency Range: DC to 1 GHz
 VSWR: 1.3:1 maximum
 Insertion Loss: 0.2 dB at 1 GHz
 Operating Voltage (rms): 500 V maximum at sea level
 Dielectric Withstand Voltage (rms): 1500 V maximum at sea level
 Contact Resistance: 3.0 milliohms maximum
 Insulation Resistance: 5000 megohms minimum

Mechanical Characteristics

Mating Cycles: 500 cycles minimum
 Interface Dimensions: Conform to MIL-C-39012

Environmental Characteristics

Temperature Range: -55 °C to +85 °C

REF.	DESCRIPTION	MATERIAL	PLATING
1	Body	Zinc Alloy	Nickel
2	Insulator	Polypropylene	
3	Ground Terminal	Copper-clad Steel	Tin
4	Socket Contact	Phosphor	Gold
5	Mount Post	Phosphor	Tin > 5 Microns
6	Lock Washer	Brass	Nickel
7	Hex Nut	Brass	Nickel

PCB Layout	MS	6	28 Aug 09
Complete Update	KA	5	13 Mar 08
Plating thickness added	MS	4	15 Jan 08
Nut & washer added	JW	3	04 Apr 06
CAD Issue	SN	2	07 Feb 02
First Issue	DH	1	06 Aug 98
DESCRIPTION OF REVISION	APPVD	ISS	DATE



EMERSON
Network Power

Connectivity Solutions
 7-13 Russel Way,
 Welford Industrial Estate,
 Chelmsford, Essex,
 CM1 3AA, UK.
 Tel: +44 (0) 1245 359515
 Fax: +44 (0) 1245 358938

SCALE: Not To Scale

DIMENSIONS: mm

TOLERANCES:
 ± 0.2mm unless
 otherwise stated

DRAWN BY:

J Williams

CHECKED BY:

M Terry

APPROVED BY:

A Tusl

DATE:

04 Apr 06

TITLE:

**BNC Vertical PCB
Mount Jack**

PART NUMBER:

VBM301-75

PAGE: 1 of 1