



Chipsmall Limited consists of a professional team with an average of over 10 year of expertise in the distribution of electronic components. Based in Hongkong, we have already established firm and mutual-benefit business relationships with customers from,Europe,America and south Asia,supplying obsolete and hard-to-find components to meet their specific needs.

With the principle of “Quality Parts,Customers Priority,Honest Operation,and Considerate Service”,our business mainly focus on the distribution of electronic components. Line cards we deal with include Microchip,ALPS,ROHM,Xilinx,Pulse,ON,Everlight and Freescale. Main products comprise IC,Modules,Potentiometer,IC Socket,Relay,Connector.Our parts cover such applications as commercial,industrial, and automotives areas.

We are looking forward to setting up business relationship with you and hope to provide you with the best service and solution. Let us make a better world for our industry!



Contact us

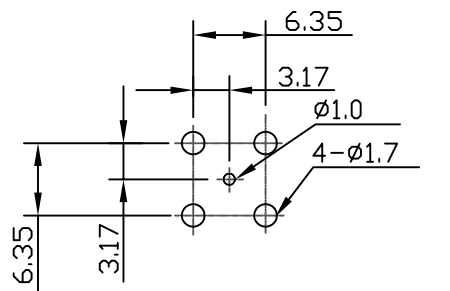
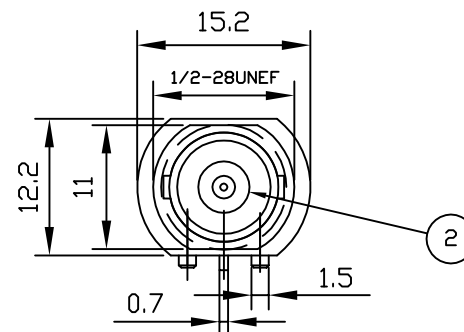
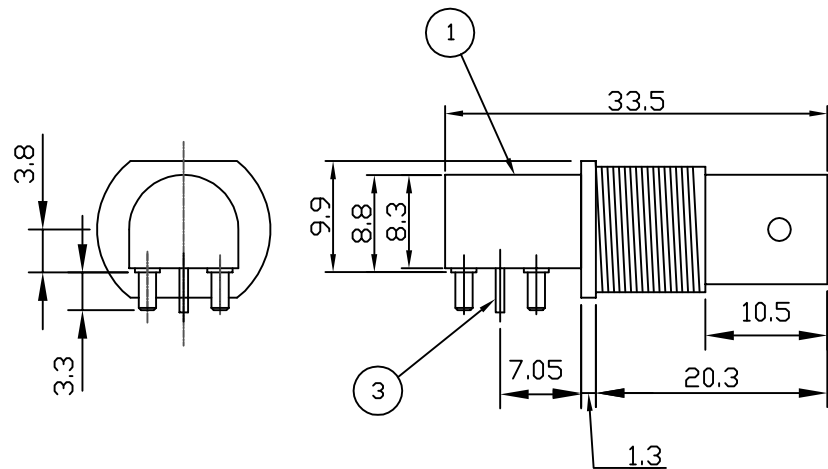
Tel: +86-755-8981 8866 Fax: +86-755-8427 6832

Email & Skype: info@chipsmall.com Web: www.chipsmall.com

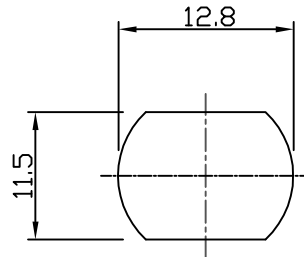
Address: A1208, Overseas Decoration Building, #122 Zhenhua RD., Futian, Shenzhen, China



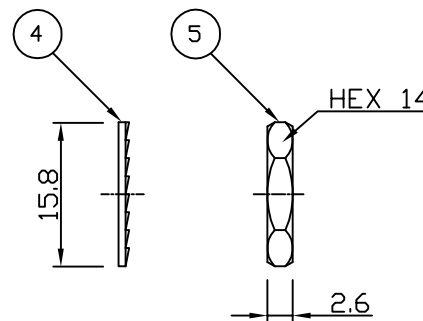
RoHS COMPLIANT



RECOMMENDED PCB LAYOUT



RECOMMENDED PANEL CUTOUT



Electrical Characteristics

| | |
|-------------------------------------|-----------------------------|
| Nominal Impedance: | 75 ohms |
| Frequency Range: | DC to 1 GHz |
| VSWR: | 1.3:1 maximum |
| Insertion Loss: | 0.2 dB at 1 GHz |
| Operating Voltage (rms): | 500 V maximum at sea level |
| Dielectric Withstand Voltage (rms): | 1000 V maximum at sea level |
| Contact Resistance: | 3.0 milliohms maximum |
| Insulation Resistance: | 5000 megohms minimum |
| Current Rating: | 3 Amps maximum |

Mechanical Characteristics

| | |
|-----------------------|------------------------|
| Mating Cycles: | 100 cycles minimum |
| Interface Dimensions: | Conform to MIL-C-39012 |

Environmental Characteristics

| | |
|--------------------|------------------|
| Temperature Range: | -55 °C to +85 °C |
|--------------------|------------------|

| REF. | DESCRIPTION | MATERIAL | PLATING |
|------|----------------|-----------------|---------|
| 1 | Shell | Zink Alloy | Nickel |
| 2 | Insulator | PP | |
| 3 | Socket Contact | Phosphor Bronze | Gold |
| 4 | Lock Washer | Iron | Nickel |
| 5 | Hex Nut | Brass | Nickel |

| REF. | DESCRIPTION | APPVD | ISS | DATE |
|---------------------------------|-------------|-------|-----|-----------|
| ECN 2015-003 | | JC | 11 | 27 May 15 |
| Complete Update | | JT | 10 | 03 Mar 10 |
| Panel Cutout Updated | | BT | 9 | 7 Aug 08 |
| Complete Update | | KA | 8 | 13 Mar 08 |
| Frequency range corrected | | JW | 7 | 10 Apr 06 |
| Dimensions corrected | | SN | 6 | 08 Dec 03 |
| CAD Issue | | RCS | 5 | 10 Jun 02 |
| Dimension added (Flange to Pin) | | PDC | 4 | 19 Apr 01 |
| Dimensions Changed | | PDC | 3 | 28 Jan 00 |
| Dimensions Changed | | DJH | 2 | 07 Dec 99 |
| First Issue | | AT | 1 | 11 Apr 99 |
| DESCRIPTION OF REVISION | | APPVD | ISS | DATE |



11 Bilton Road,
Chelmsford, Essex,
CM1 2UP, UK.
Tel: +44 (0) 1245 359515
Fax: +44 (0) 1245 358938

SCALE: Not To Scale

DIMENSIONS: mm

TOLERANCES:
± 0.2mm unless
otherwise stated

DRAWN BY:

S Nash

CHECKED BY:

J Cracknell

APPROVED BY:

M Spooner

DATE:

07 Jun 04

TITLE:

Shielded BNC PCB Mount
R/A Jack (75 Ohm)

PART NUMBER:

VBM511-75

PAGE: 1 of 1