



Chipsmall Limited consists of a professional team with an average of over 10 year of expertise in the distribution of electronic components. Based in Hongkong, we have already established firm and mutual-benefit business relationships with customers from,Europe,America and south Asia,supplying obsolete and hard-to-find components to meet their specific needs.

With the principle of "Quality Parts,Customers Priority,Honest Operation,and Considerate Service",our business mainly focus on the distribution of electronic components. Line cards we deal with include Microchip,ALPS,ROHM,Xilinx,Pulse,ON,Everlight and Freescale. Main products comprise IC,Modules,Potentiometer,IC Socket,Relay,Connector.Our parts cover such applications as commercial,industrial, and automotives areas.

We are looking forward to setting up business relationship with you and hope to provide you with the best service and solution. Let us make a better world for our industry!



Contact us

Tel: +86-755-8981 8866 Fax: +86-755-8427 6832

Email & Skype: info@chipsmall.com Web: www.chipsmall.com

Address: A1208, Overseas Decoration Building, #122 Zhenhua RD., Futian, Shenzhen, China



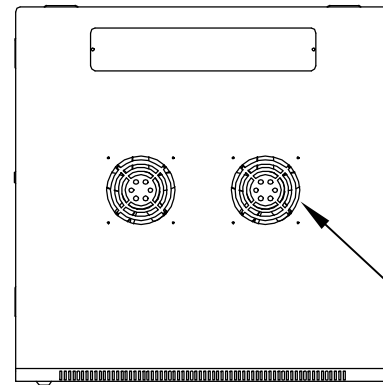
PART NAME	VISIONCAB	PART No.	VC-9920 to VC-9924	VC-9930 to VC-9934	REV. DATE	5-26-10
-----------	-----------	----------	--------------------	--------------------	-----------	---------

PANEL MOUNTING RAILS HAVE 0.350 [8.89] SQUARE HOLES ON E.I.A. UNIVERSAL HOLE SPACING

SUPPLIED HARDWARE KIT TO INCLUDE:
 QTY. (25) M6x1.0 PITCH CAGE NUT
 QTY. (25) M6x1.0 PITCH PAN HEAD SCREW
 QTY. (25) NYLON FLAT WASHER
 QTY. (4) RUBBER FEET
 QTY. (6) KEYS

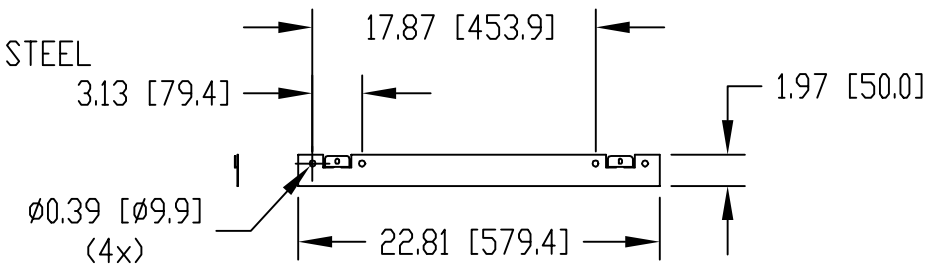
MATERIAL:
 PANEL MOUNTING RAILS - 14 GA. [2.0mm] STEEL
 SHELF & WALL MOUNTING BRACKET - 18 GA. [1.2mm] STEEL
 ALL OTHER PARTS - 18 GA. [1.2mm] STEEL

FINISH:
 FINE TEXTURED BLACK POWDER COATING

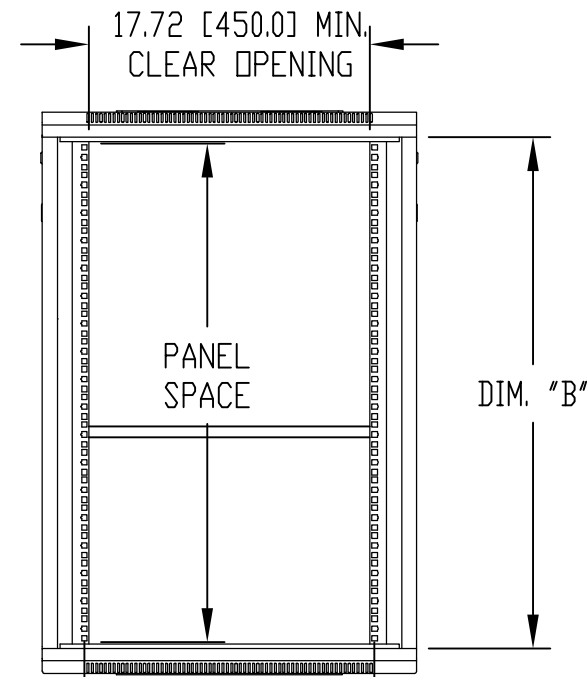


TOP VIEW

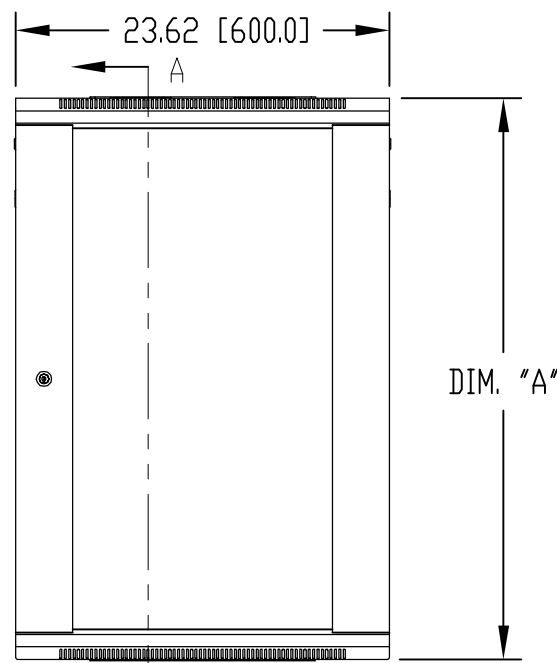
QTY. ("F")
 110 VAC, 65 CFM FAN(S)



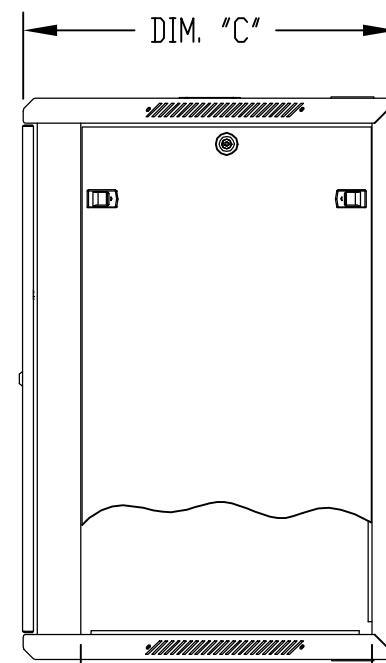
BRACKET DETAIL



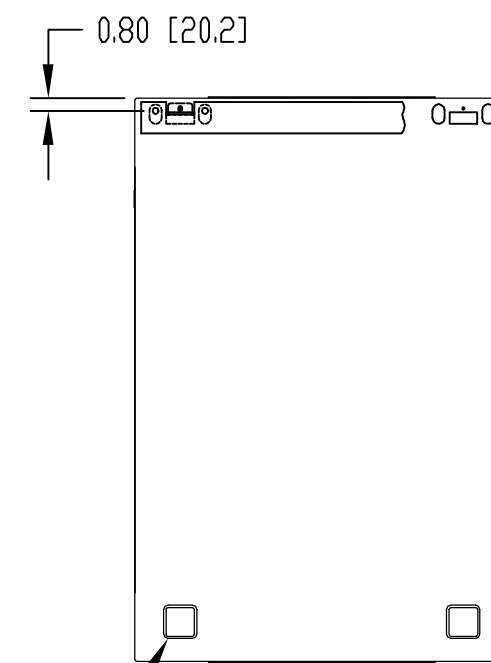
FRONT VIEW (DOOR REMOVED)



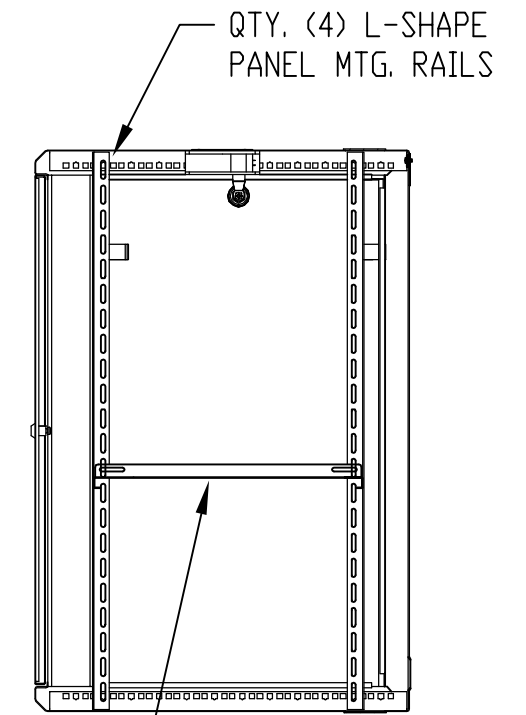
FRONT VIEW



RIGHT SIDE VIEW

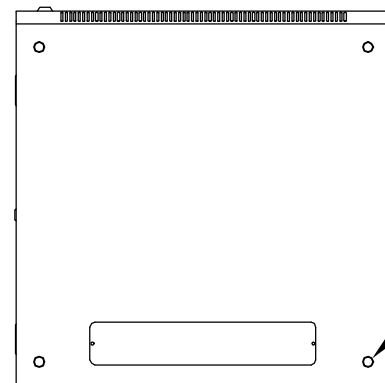


BACK VIEW



SECTION A-A

QTY. (1) VENTILATED FIXED SHELF (FOR PART NUMBER - SEE CHART)



BOTTOM VIEW

MOUNTING HOLE FOR RUBBER FOOT

PART NO.	UNIT	PANEL SPACE	DIM. "A"	DIM. "B"	DIM. "C"	DIM. "D"	DIM. "E"	QTY. "F"	SHELF P/N
VC-9920	6U	10.50 [266.7]	14.49 [368.0]	11.35 [288.2]	17.72 [450.0]	12.48 [317.0]	11.21 [284.8]	(1)	SH-12704
VC-9921	9U	15.75 [400.1]	19.69 [500.0]	16.54 [420.2]	17.72 [450.0]	12.48 [317.0]	11.21 [284.8]	(1)	SH-12704
VC-9922	12U	21.00 [533.4]	25.00 [635.0]	21.86 [555.2]	17.72 [450.0]	12.48 [317.0]	11.21 [284.8]	(2)	SH-12704
VC-9923	15U	26.25 [666.8]	30.28 [769.0]	27.13 [689.2]	17.72 [450.0]	12.48 [317.0]	11.21 [284.8]	(2)	SH-12704
VC-9924	18U	31.50 [800.1]	35.43 [900.0]	32.29 [820.2]	17.72 [450.0]	12.48 [317.0]	11.21 [284.8]	(2)	SH-12704
VC-9930	6U	10.50 [266.7]	14.49 [368.0]	11.35 [288.2]	23.62 [600.0]	18.39 [467.0]	17.12 [434.8]	(1)	SH-12705
VC-9931	9U	15.75 [400.1]	19.69 [500.0]	16.54 [420.2]	23.62 [600.0]	18.39 [467.0]	17.12 [434.8]	(1)	SH-12705
VC-9932	12U	21.00 [533.4]	25.00 [635.0]	21.86 [555.2]	23.62 [600.0]	18.39 [467.0]	17.12 [434.8]	(2)	SH-12705
VC-9933	15U	26.25 [666.8]	30.28 [769.0]	27.13 [689.2]	23.62 [600.0]	18.39 [467.0]	17.12 [434.8]	(2)	SH-12705
VC-9934	18U	31.50 [800.1]	35.43 [900.0]	32.29 [820.2]	23.62 [600.0]	18.39 [467.0]	17.12 [434.8]	(2)	SH-12705