



Chipsmall Limited consists of a professional team with an average of over 10 year of expertise in the distribution of electronic components. Based in Hongkong, we have already established firm and mutual-benefit business relationships with customers from,Europe,America and south Asia,supplying obsolete and hard-to-find components to meet their specific needs.

With the principle of “Quality Parts,Customers Priority,Honest Operation,and Considerate Service”,our business mainly focus on the distribution of electronic components. Line cards we deal with include Microchip,ALPS,ROHM,Xilinx,Pulse,ON,Everlight and Freescale. Main products comprise IC,Modules,Potentiometer,IC Socket,Relay,Connector.Our parts cover such applications as commercial,industrial, and automotives areas.

We are looking forward to setting up business relationship with you and hope to provide you with the best service and solution. Let us make a better world for our industry!



## Contact us

Tel: +86-755-8981 8866 Fax: +86-755-8427 6832

Email & Skype: info@chipsmall.com Web: www.chipsmall.com

Address: A1208, Overseas Decoration Building, #122 Zhenhua RD., Futian, Shenzhen, China





PRODUCT NUMBER  
20020618-MXXXXXLF

20020618-□ □ □ □ A 0 □ L F

PITCH  
M: 7.62 mm

POLES  
02: 2 POLES  
03: 3 POLES  
04: 4 POLES  
16: 16 POLES

LF : DENOTED RoHS COMPATIBLE  
1 : STANDARD PRODUCT  
W/ BOX PACKING

HOUSING CODE

CODE	COLOR	AVAILABILITY
1	GREEN(RAL 6018/T)	STANDARD
2	BLACK	ON REQUEST ONLY
3	GREY(RAL 7004/P)	ON REQUEST ONLY
4	BLUE(RAL 5015/A)	ON REQUEST ONLY

PROPERTY TABLE	
FCI SERIES NAME	07-762
PITCH (mm)	7.62
VOLTAGE RATING (VAC)	300
CURRENT RATING (A)	32
WITHSTANDING VOLTAGE (kV)	1.6
OPERATING TEMP. (°C)	-40~+115
SOLDERING TEMP. (°C)	250±10 (5 sec.)
POLES AVAILABLE	02~16
SAFETY CERTIFICATE	

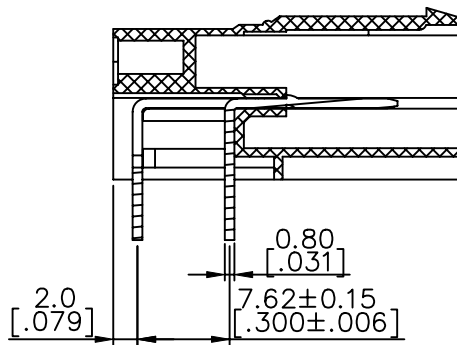
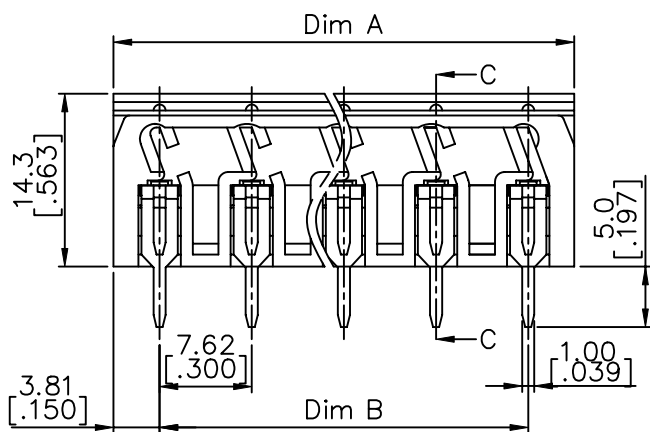
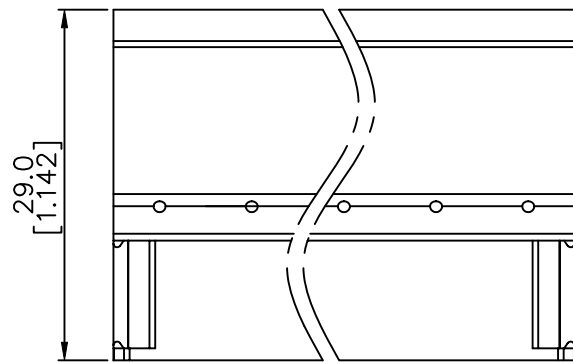
- NOTES:  
 MATERIALS  
 1-1 HOUSING: THERMALPLASTIC RESIN, UL 94V-0 RATED.  
 1-2 TERMINAL: COPPER ALLOY, TIN PLATED.  
 2. PRODUCTION SPECIFICATION REFER TO FCI GS-12-625.  
 3. BOXED PACKAGING.  
 DETAILED PRODUCT PACKING SPECIFICATION REFER TO FCI GS-14-1394.  
 4. FCI, SAFETY CERTIFICATE LOGO AND SERIES NAME TO BE SHOWN ON PRODUCT SURFACE.  
 5. THE PRODUCTS WHERE THE PART NUMBER END IN "LF" MEET THE EUROPEAN UNION DIRECTIVE AND OTHER COUNTRY REGULATIONS AS DESCRIBED IN GS-22-008.  
 6. RECOMENDED SOLDERING PROCESS BY WAVE SOLDER.

mat'l. code				surface ASME Y14.5		tolerance ASME Y14.5		projection		product family	
ltr	ecn no	dr	date	tolerances unless otherwise specified		tolerances unless otherwise specified		tolerances unless otherwise specified		TERMINAL BLOCK	
A	0609-0203	BF	062509	angles	to	X.±0.5[.020]	MM	TERMINAL BLOCK		sheet 1 of 2 size	
B	T09-1148	BF	111709	to	FILE	X.X±0.3[.012]	[INCH]	PLUGGABLE SOCKET, RIGHT ANGLE		20020618 A4	
C	T10-0042	WL	030310	X*±1*		X.XX±0.1[.004]	scale	FCI		CUSTOMER Drawing	
D	T10-0159	WL	100410	dr	BEER FU	062509					
E	T10-0187	WL	121410	enr	BEER FU	062509					
F	T-004746	WL	072211	chr	GARY HSIEH	062509					
				appd	JOSEPH HSIA	062509					
sheet index	revision	F	F								
	sheet	1	2								

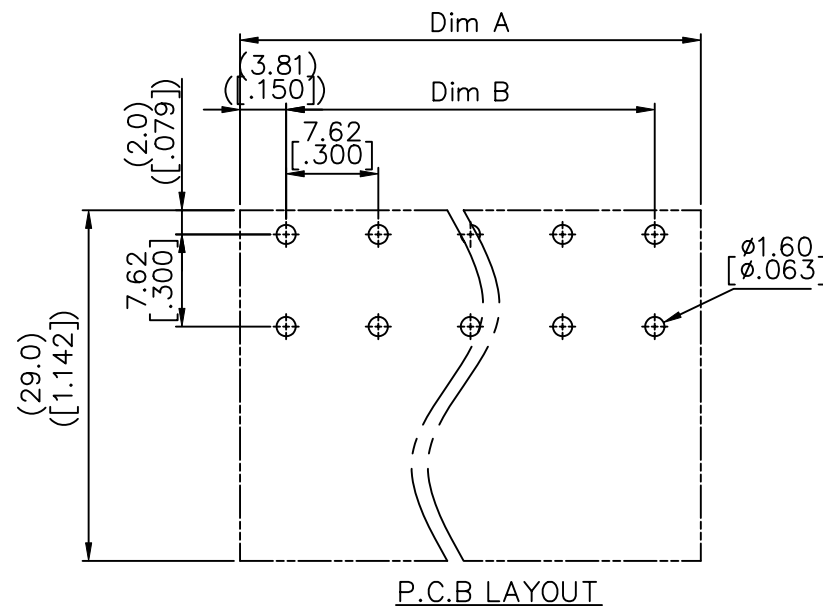
PRODUCT NUMBER	SERIES NAME	PITCH
20020618-MXXXXXXLF	07-762	7.62 mm

N = NUMBER OF POLES  
 Dim A =  $N \times 7.62$  [.300]  
 Dim B =  $(N-1) \times 7.62$  [.300]

Poles	Tol.	Dim A	Dim B
2-5p		$\pm 0.20$ [.008]	
6-10p		$\pm 0.30$ [.012]	
11-13p		$\pm 0.35$ [.014]	
14-16p		$\pm 0.40$ [.016]	



SECTION C-C



P.C.B LAYOUT

mat'l. code		surface ASME Y14.5 ✓	tolerance ASME Y14.5	projection ⊕	product family TERMINAL BLOCK
ltr	ecn no	dr	date	title	
F				TERMINAL BLOCK PLUGABLE, SOCKET, POWER, R/A	
tolerances unless otherwise specified		angles X° ± 1'	inches X.XX ± 0.1 [.004]	MM [INCH]	scale
dr	BEER FU	062509			sheet 2 of 2 size
enr	BEER FU	062509			dwg no
chr	GARY HSIEH	062509			20020618
app	JOSEPH HSIA	062509			A4
sheet index	revision sheet			type	CUSTOMER Drawing