



Chipsmall Limited consists of a professional team with an average of over 10 year of expertise in the distribution of electronic components. Based in Hongkong, we have already established firm and mutual-benefit business relationships with customers from,Europe,America and south Asia,supplying obsolete and hard-to-find components to meet their specific needs.

With the principle of “Quality Parts,Customers Priority,Honest Operation,and Considerate Service”,our business mainly focus on the distribution of electronic components. Line cards we deal with include Microchip,ALPS,ROHM,Xilinx,Pulse,ON,Everlight and Freescale. Main products comprise IC,Modules,Potentiometer,IC Socket,Relay,Connector.Our parts cover such applications as commercial,industrial, and automotives areas.

We are looking forward to setting up business relationship with you and hope to provide you with the best service and solution. Let us make a better world for our industry!



Contact us

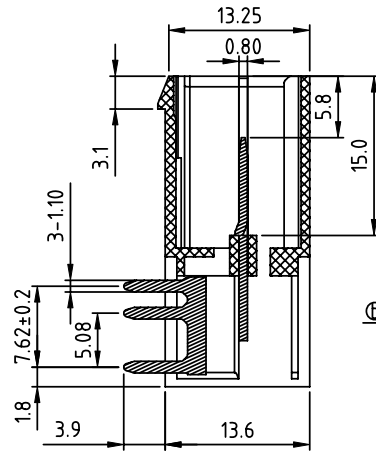
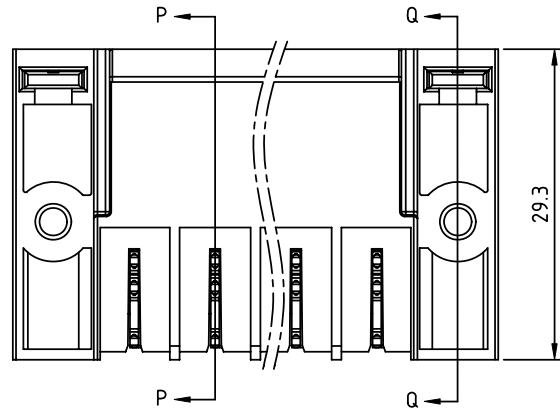
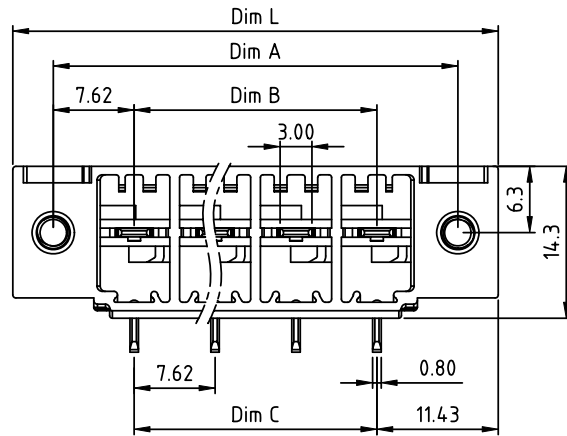
Tel: +86-755-8981 8866 Fax: +86-755-8427 6832

Email & Skype: info@chipsmall.com Web: www.chipsmall.com

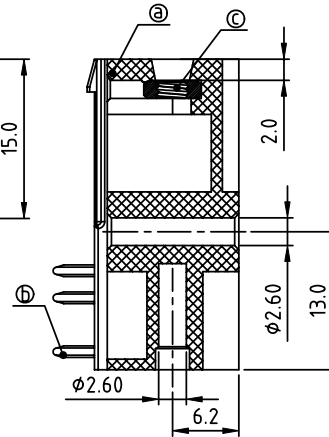
Address: A1208, Overseas Decoration Building, #122 Zhenhua RD., Futian, Shenzhen, China



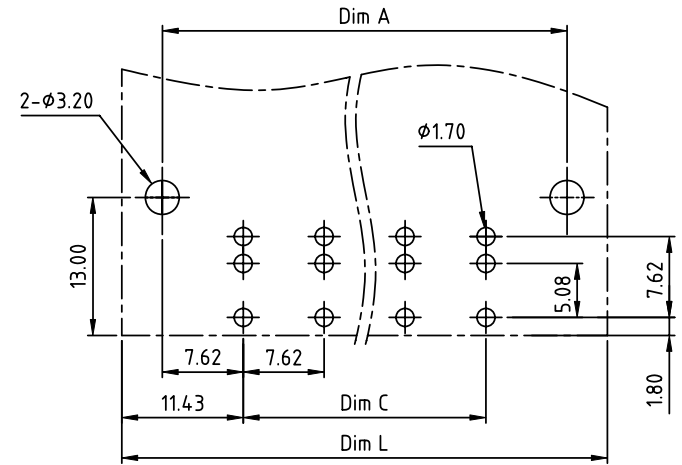
PRODUCT NUMBER	PITCH
VCxx01xC00J0G	7.62 mm



SECTION P-P



SECTION Q-Q



RECOMMENDED P.C.B LAYOUT
TOP VIEW

Material:

- Item ① Terminal(housing): Thermoplastic (UL94V-0)
- Item ② Pin: Copper, Tin plated
- Item ③ With flange nut : Steel zinc plating M3

Electrical: cULus

- Voltage rating:300V
- Current rating:41A
- Withstanding Voltage:1.6 KV
- Operating temperature:-40°C to +115°C
- Soldering temperature:260°C±5°C/5 Sec
- Safety Approval:

DIMENSION

Dim L	(N-1)×7.62+22.86
Dim A	(N-1)×7.62+15.24
Dim B	(N-1)×7.62
Dim C	(N-1)×7.62

N=Number of poles

Poles	Tolerance
2p-5p	±0.20
6p-12p	±0.30
13p-16p	±0.40

PART NO.: VCxx01xC00J0G

Solid block	Color	RoHS compliant (lead<4% in copper Alloy)
No. of poles	0 Black (RAL9005)	
02 2 poles	2 Red (RAL3001/D)	
03 3 poles	3 Orange(RAL2011/P)	
...	4 Yellow(RAL1018/A)	
...	5 Green(RAL6018/T)	
16 16 poles	6 Blue (RAL5015/A)	
	8 Grey(RAL7035/D)	
	9 White(RAL1102)	
	C Green(RAL6018/U)	

mat'l. code	surface ASME Y14.5	tolerance ASME Y14.5	projection	product family
ltr	ecn	no	dr	date
tolerances unless otherwise specified				TERMINAL BLOCK
angles	φ	X.±0.5	MM	title
X°±1'	φ	X.X±0.3	scale	TERMINAL BLOCK PLUGGABLE SOCKET,RIGHT ANGLE,WITH FLANGE THREE TAILS TYPE,MOUNTING UNDER THE PCB
dr	ENGR	EVIN ZHONG	050714	dwg no
enr	chr	EVIN ZHONG	050714	sheet 1 of 1
chr	appd	HANKE FENG	050714	size
appd		SHI JUN	050714	VCxx01xC00J0G
				A4
sheet index	revision	A		type
	sheet	1		CUSTOMER Drawing