



Chipsmall Limited consists of a professional team with an average of over 10 year of expertise in the distribution of electronic components. Based in Hongkong, we have already established firm and mutual-benefit business relationships with customers from,Europe,America and south Asia,supplying obsolete and hard-to-find components to meet their specific needs.

With the principle of “Quality Parts,Customers Priority,Honest Operation,and Considerate Service”,our business mainly focus on the distribution of electronic components. Line cards we deal with include Microchip,ALPS,ROHM,Xilinx,Pulse,ON,Everlight and Freescale. Main products comprise IC,Modules,Potentiometer,IC Socket,Relay,Connector.Our parts cover such applications as commercial,industrial, and automotives areas.

We are looking forward to setting up business relationship with you and hope to provide you with the best service and solution. Let us make a better world for our industry!



## Contact us

Tel: +86-755-8981 8866 Fax: +86-755-8427 6832

Email & Skype: info@chipsmall.com Web: www.chipsmall.com

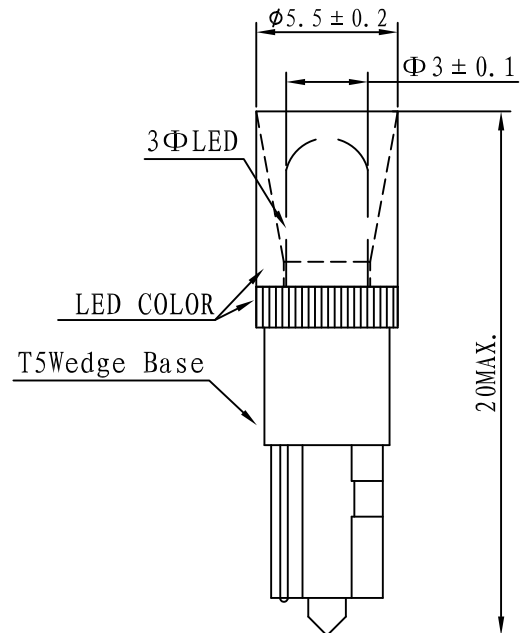
Address: A1208, Overseas Decoration Building, #122 Zhenhua RD., Futian, Shenzhen, China





# VC1511A Series

## T-1 3/4 Wedge Based LED



### Description and Features

- Replaces incandescent lamp #'s
  - 12V — 18, 37, 70, 73, 74
  - 24V and 28V — 17, 85
- Extremely high brightness with low current draw
- Long life — typically 100K hours vs. 10K hours
- Low heat generation
- Available in five standard colors. Custom colors available upon request
- Shock and vibration proof
- Storage temperature: -40°C - +85°C
- Ambient temperature: -40°C - +85°C
- Due to production tolerances, color temperature variations may be detected within individual consignments

### Electro-Optical Characteristics and Ratings

| Part Number  | Color          | Voltage<br>V DC | Current<br>mA | Lumi.<br>Intensity<br>mcd | Peak<br>Wavelength<br>nm | 50%<br>Power<br>Angle (deg) |
|--------------|----------------|-----------------|---------------|---------------------------|--------------------------|-----------------------------|
| VC1511A25UR3 | Red            | 12              | 6 / 12        | 280                       | 630                      | 20                          |
| VC1511A25UG3 | Green          | 12              | 6 / 12        | 780                       | 525                      | 25                          |
| VC1511A25UY3 | Yellow         | 12              | 6 / 12        | 240                       | 587                      | 20                          |
| VC1511A25B3  | Blue           | 12              | 6 / 12        | 300                       | 470                      | 25                          |
| VC1511A25W3  | White Clear    | 12              | 6 / 12        | 600                       | *                        | 30                          |
| VC1511A25W3D | White Diffused | 12              | 6 / 12        | 300                       | *                        | 30                          |
| VC1511A35UR3 | Red            | 24              | 5 / 10        | 230                       | 630                      | 20                          |
| VC1511A35UG3 | Green          | 24              | 5 / 10        | 850                       | 525                      | 25                          |
| VC1511A35UY3 | Yellow         | 24              | 5 / 10        | 200                       | 587                      | 20                          |
| VC1511A35B3  | Blue           | 24              | 5 / 10        | 250                       | 470                      | 25                          |
| VC1511A35W3  | White Clear    | 24              | 5 / 10        | 500                       | *                        | 30                          |
| VC1511A35W3D | White Diffused | 24              | 5 / 10        | 250                       | *                        | 30                          |
| VC1511A45UR3 | Red            | 28              | 5 / 10        | 230                       | 630                      | 20                          |
| VC1511A45UG3 | Green          | 28              | 5 / 10        | 650                       | 525                      | 25                          |
| VC1511A45UY3 | Yellow         | 28              | 5 / 10        | 200                       | 587                      | 20                          |
| VC1511A45B3  | Blue           | 28              | 5 / 10        | 250                       | 470                      | 25                          |
| VC1511A45W3  | White Clear    | 28              | 5 / 10        | 500                       | *                        | 30                          |
| VC1511A45W3D | White Diffused | 28              | 5 / 10        | 250                       | *                        | 30                          |