



Chipsmall Limited consists of a professional team with an average of over 10 year of expertise in the distribution of electronic components. Based in Hongkong, we have already established firm and mutual-benefit business relationships with customers from,Europe,America and south Asia,supplying obsolete and hard-to-find components to meet their specific needs.

With the principle of “Quality Parts,Customers Priority,Honest Operation,and Considerate Service”,our business mainly focus on the distribution of electronic components. Line cards we deal with include Microchip,ALPS,ROHM,Xilinx,Pulse,ON,Everlight and Freescale. Main products comprise IC,Modules,Potentiometer,IC Socket,Relay,Connector.Our parts cover such applications as commercial,industrial, and automotives areas.

We are looking forward to setting up business relationship with you and hope to provide you with the best service and solution. Let us make a better world for our industry!



## Contact us

Tel: +86-755-8981 8866 Fax: +86-755-8427 6832

Email & Skype: info@chipsmall.com Web: www.chipsmall.com

Address: A1208, Overseas Decoration Building, #122 Zhenhua RD., Futian, Shenzhen, China



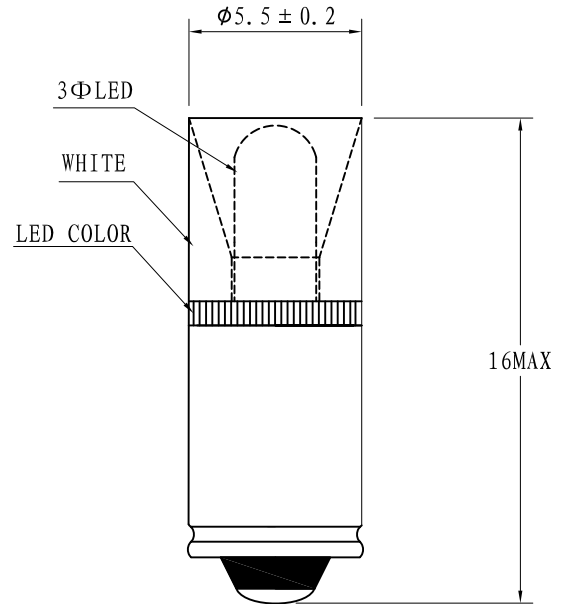


# VC15121 Series

## T-1 3/4 Midget Groove Based LED

### Description and Features

- Replaces incandescent lamp #'s
  - 12V — 336, 386, 393
  - 24V and 28V — 276, 334, 388
- Extremely high brightness with low current draw
- Long life — typically 100K hours vs. 10K hours
- Low heat generation
- Available in five standard colors. Custom colors available upon request
- Shock and vibration proof
- Storage temperature: -40°C - +85°C
- Ambient temperature: -40°C - +85°C
- Due to production tolerances, color temperature variations may be detected within individual consignments



### Electro-Optical Characteristics and Ratings

Part Number	Color	Voltage V DC	Current mA	Lumi. Intensity mcd	Peak Wavelength nm	50% Power Angle (deg)
VC1512125UR3	Red	12	7 / 14	330	630	20
VC1512125UG3	Green	12	7 / 14	910	525	25
VC1512125UY3	Yellow	12	7 / 14	280	587	20
VC1512125B3	Blue	12	7 / 14	350	470	25
VC1512125W3	White Clear	12	7 / 14	700	*	30
VC1512125W3D	White Diffused	12	7 / 14	350	*	30
VC1512135UR3	Red	24	7 / 14	330	630	20
VC1512135UG3	Green	24	7 / 14	910	525	25
VC1512135UY3	Yellow	24	7 / 14	280	587	20
VC1512135B3	Blue	24	7 / 14	350	470	25
VC1512135W3	White Clear	24	7 / 14	700	*	30
VC1512135W3D	White Diffused	24	7 / 14	350	*	30
VC1512145UR3	Red	28	7 / 14	330	630	20
VC1512145UG3	Green	28	7 / 14	910	525	25
VC1512145UY3	Yellow	28	7 / 14	280	587	20
VC1512145B3	Blue	28	7 / 14	350	470	25
VC1512145W3	White Clear	28	7 / 14	700	*	30
VC1512145W3D	White Diffused	28	7 / 14	350	*	30