



Chipsmall Limited consists of a professional team with an average of over 10 year of expertise in the distribution of electronic components. Based in Hongkong, we have already established firm and mutual-benefit business relationships with customers from,Europe,America and south Asia,supplying obsolete and hard-to-find components to meet their specific needs.

With the principle of "Quality Parts,Customers Priority,Honest Operation,and Considerate Service",our business mainly focus on the distribution of electronic components. Line cards we deal with include Microchip,ALPS,ROHM,Xilinx,Pulse,ON,Everlight and Freescale. Main products comprise IC,Modules,Potentiometer,IC Socket,Relay,Connector.Our parts cover such applications as commercial,industrial, and automotives areas.

We are looking forward to setting up business relationship with you and hope to provide you with the best service and solution. Let us make a better world for our industry!



Contact us

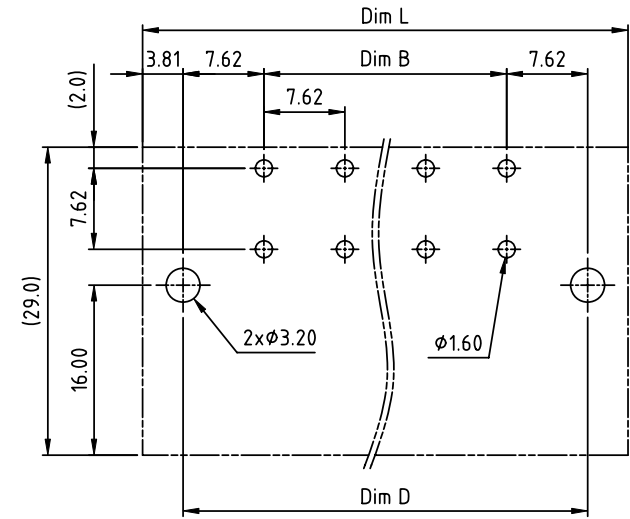
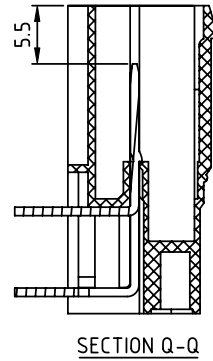
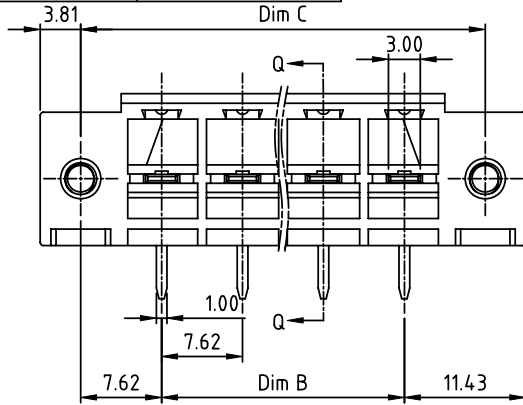
Tel: +86-755-8981 8866 Fax: +86-755-8427 6832

Email & Skype: info@chipsmall.com Web: www.chipsmall.com

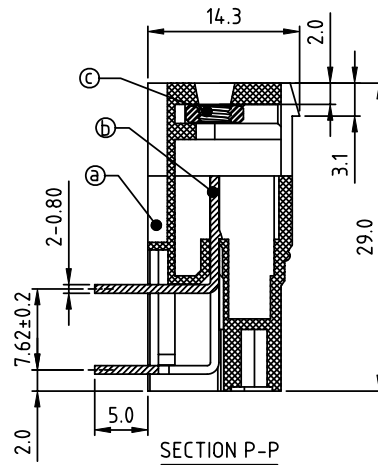
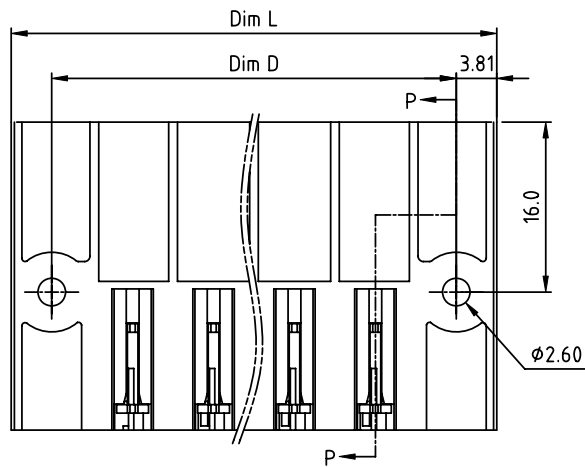
Address: A1208, Overseas Decoration Building, #122 Zhenhua RD., Futian, Shenzhen, China



PRODUCT NUMBER	PITCH
VCxx01x000J0G	7.62mm



RECOMMENDED P.C.B LAYOUT
TOP VIEW



SECTION P-P

Material:

- Item① Terminal(housing): Thermoplastic (UL94 V-0)
- Item② Pin: Copper Tin plated
- Item③ Flange Nut: Steel Zinc plating M3.0

Electrical

- | | | |
|--------------------------|------------------|----------|
| ● Voltage rating: | 300V | TUV 800V |
| ● Current rating: | 32A | 32A |
| ● Withstanding Voltage: | 1.6KV | 6KV |
| ● Operating temperature: | -40°C to +115°C | |
| ● Soldering temperature: | 260°C± 5°C/5 Sec | |
| ● Safety Approval: | cULus | TUV |

PART NO.: VC xx 01 x 0 00J0 G

N = Number of poles
Dim L=(N+2)×7.62
Dim B=(N-1)×7.62
Dim C=(N+1)×7.62
Dim D=(N+1)×7.62

Poles	Tolerance
2-6p	±0.15
7-12p	±0.20
13-16p	±0.30

Solid block	0	Black (RAL9005)	RoHS compliant
No. of poles	2	Red (RAL3001/D)	(lead<4%)
02 2 poles	3	Orange(RAL2011/P)	In copper Alloy
03 3 poles	4	Yellow(RAL1018/A)	
...	5	Green(RAL6018/T)	
16 16 poles	6	Blue (RAL5015/A)	
	8	Grey(RAL7035/D)	
	9	White(RAL1102)	
	C	Green(RAL6018/U)	

mat'l. code	surface ASME Y14.5	tolerance ASME Y14.5	projection	product family
ltr	ecn no	dr	date	TERMINAL BLOCK
				title
				TERMINAL BLOCK
				PLUGGABLE SOCKET,RIGHT ANGLE,FLANGE WITH NUT
				TWO TAIL A TYPE
				scale
				sheet 1 of 1
				size
				A4
				type
				CUSTOMER Drawing
sheet index	revision	A		
	sheet	1		