



Chipsmall Limited consists of a professional team with an average of over 10 year of expertise in the distribution of electronic components. Based in Hongkong, we have already established firm and mutual-benefit business relationships with customers from,Europe,America and south Asia,supplying obsolete and hard-to-find components to meet their specific needs.

With the principle of “Quality Parts,Customers Priority,Honest Operation,and Considerate Service”,our business mainly focus on the distribution of electronic components. Line cards we deal with include Microchip,ALPS,ROHM,Xilinx,Pulse,ON,Everlight and Freescale. Main products comprise IC,Modules,Potentiometer,IC Socket,Relay,Connector.Our parts cover such applications as commercial,industrial, and automotives areas.

We are looking forward to setting up business relationship with you and hope to provide you with the best service and solution. Let us make a better world for our industry!



## Contact us

Tel: +86-755-8981 8866 Fax: +86-755-8427 6832

Email & Skype: info@chipsmall.com Web: www.chipsmall.com

Address: A1208, Overseas Decoration Building, #122 Zhenhua RD., Futian, Shenzhen, China



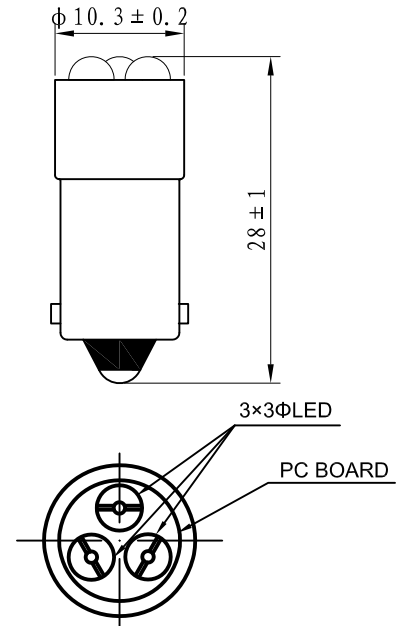


# VC18620, VC186261, VC186262 Series

## T-3 1/4 Bayonet Based Multi LED

### Description and Features

- Replaces incandescent lamp #'s
  - 24V — 24MB, 1437, 1818
  - 28V — 313, 757, 1819, 1820, 1829, 1843, 1864, 1873
  - 125 and 230V — 949
- 3 high bright LEDs in one package
- Extremely high brightness with low current draw
- Long life — typically 100K hours vs. 10K hours
- Low heat generation
- Available in five standard colors. Custom colors available upon request
- Shock and vibration proof
- Storage temperature: -40°C - +85°C
- Ambient temperature: -40°C - +85°C
- Due to production tolerances, color temperature variations may be detected within individual consignments



### Electro-Optical Characteristics and Ratings

Part Number	Color	Voltage V AC/DC	Current mA	Lumi. Intensity mcd	Peak Wavelength nm	50% Power Angle (deg)
VC18620350	Red	24	15	1050	630	20
VC18620351	Green	24	15	3000	525	25
VC18620352	Yellow	24	15	900	587	20
VC18620357	Blue	24	15	1200	470	25
VC1862035W3	White Clear	24	15	2250	*	30
VC1862035W3D	White Diffused	24	15	1125	*	30
VC18620450	Red	28	15	1050	630	20
VC18620451	Green	28	15	3000	525	25
VC18620452	Yellow	28	15	900	587	20
VC18620457	Blue	28	15	1200	470	25
VC1862045W3	White Clear	28	15	2250	*	30
VC1862045W3D	White Diffused	28	15	1125	*	30
VC18626130	Red	130	5	360	630	20
VC18626131	Green	130	5	990	525	25
VC18626132	Yellow	130	5	300	587	20
VC18626137	Blue	130	5	390	470	25
VC1862613W3	White Clear	130	5	750	*	30
VC1862613W3D	White Diffused	130	5	375	*	30
VC18626230	Red	230	3	210	630	20
VC18626231	Green	230	3	600	525	25
VC18626232	Yellow	230	3	180	587	20
VC18626237	Blue	230	3	240	470	25
VC1862623W3	White Clear	230	3	450	*	30
VC1862623W3D	White Diffused	230	3	225	*	30