



Chipsmall Limited consists of a professional team with an average of over 10 year of expertise in the distribution of electronic components. Based in Hongkong, we have already established firm and mutual-benefit business relationships with customers from,Europe,America and south Asia,supplying obsolete and hard-to-find components to meet their specific needs.

With the principle of “Quality Parts,Customers Priority,Honest Operation,and Considerate Service”,our business mainly focus on the distribution of electronic components. Line cards we deal with include Microchip,ALPS,ROHM,Xilinx,Pulse,ON,Everlight and Freescale. Main products comprise IC,Modules,Potentiometer,IC Socket,Relay,Connector.Our parts cover such applications as commercial,industrial, and automotives areas.

We are looking forward to setting up business relationship with you and hope to provide you with the best service and solution. Let us make a better world for our industry!



## Contact us

Tel: +86-755-8981 8866 Fax: +86-755-8427 6832

Email & Skype: info@chipsmall.com Web: www.chipsmall.com

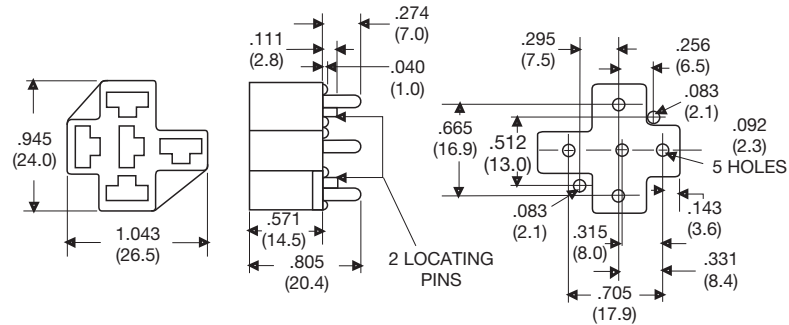
Address: A1208, Overseas Decoration Building, #122 Zhenhua RD., Futian, Shenzhen, China



**Connectors for Mini ISO Relays**

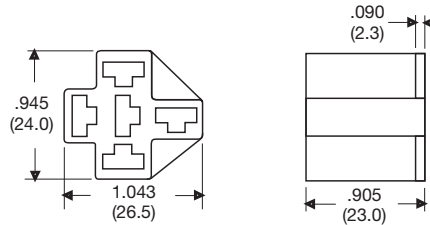
**PCB Socket  
VCF4-1000**

(Mounting Recommendation: To keep insertion force away from the PCB the soldering of the socket to the PCB should be done with already inserted relay).



**Connector  
VCF4-1001**

(Terminals to be ordered separately).

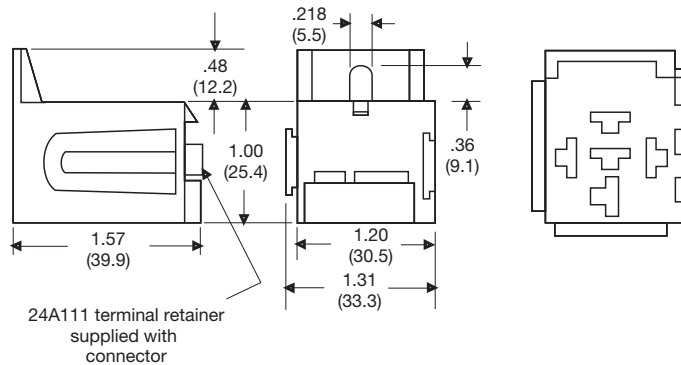


**Connector with Mounting Flap**

(To be mounted individually or can be interlocked).

**VCF4-1002**

(Crimp terminals to be ordered separately).



**Selection of fitting crimp terminals 1) 2)**

Part numbers for connectors		Wire mm <sup>2</sup> (AWG)	Quantity required		Part number for crimp terminals
Product code	Part number		Form A	Form C	
VCF4-1000	1393310-3	-	-	-	-
VCF4-1001	3-1393310-7	1.3 - 3.3 (16-12) 0.8 - 2.1 (18-14)	4	5	60249-1 42281-1
VCF4-1002	4-1419106-0	0.5 - 0.8 (20-18) 1.3 - 2.1 (16-14) 3.3 - 5.3 (12-10)	4	5	1-1393310-8 1-1393310-9 2-1393310-0

1) Crimp terminals are to be ordered separately.

2) Mentioned crimp terminals are delivered in strip form. Loose pieces and hand tool available on request.