



Chipsmall Limited consists of a professional team with an average of over 10 year of expertise in the distribution of electronic components. Based in Hongkong, we have already established firm and mutual-benefit business relationships with customers from,Europe,America and south Asia,supplying obsolete and hard-to-find components to meet their specific needs.

With the principle of “Quality Parts,Customers Priority,Honest Operation,and Considerate Service”,our business mainly focus on the distribution of electronic components. Line cards we deal with include Microchip,ALPS,ROHM,Xilinx,Pulse,ON,Everlight and Freescale. Main products comprise IC,Modules,Potentiometer,IC Socket,Relay,Connector.Our parts cover such applications as commercial,industrial, and automotives areas.

We are looking forward to setting up business relationship with you and hope to provide you with the best service and solution. Let us make a better world for our industry!



## Contact us

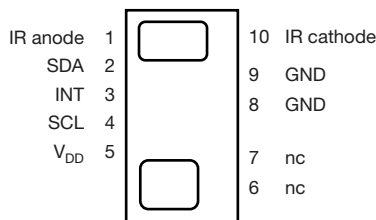
Tel: +86-755-8981 8866 Fax: +86-755-8427 6832

Email & Skype: info@chipsmall.com Web: www.chipsmall.com

Address: A1208, Overseas Decoration Building, #122 Zhenhua RD., Futian, Shenzhen, China



## Fully Integrated Proximity Sensor with Infrared Emitter, I<sup>2</sup>C Interface, and Interrupt Function



### DESCRIPTION

The VCNL3020 is a fully integrated proximity sensor. Fully integrated means that the infrared emitter is included in the package. It has 16 bit resolution. It includes a signal processing IC and features standard I<sup>2</sup>C communication interface. It features an interrupt function.

### APPLICATIONS

- Proximity sensor for mobile devices (e.g. smart phones, touch phones, PDA, GPS) for touch screen locking, power saving, etc.
- Proximity/optical switch for consumer, computing and industrial devices and displays

### FEATURES

- Package type: surface mount
- Dimensions (L x W x H in mm): 4.90 x 2.40 x 0.83
- Integrated infrared emitter, proximity sensor, and signal conditioning IC
- Interrupt function
- Supply voltage range V<sub>DD</sub>: 2.5 V to 3.6 V
- Supply voltage range IR anode: 2.5 V to 5 V
- Communication via I<sup>2</sup>C interface
- I<sup>2</sup>C Bus H-level range: 1.7 V to 5 V
- Floor life: 72 h, MSL 4, acc. J-STD-020
- Low stand by current consumption: 1.5 μA
- Material categorization: For definitions of compliance please see [www.vishay.com/doc?99912](http://www.vishay.com/doc?99912)



### PROXIMITY FUNCTION

- Built-in infrared emitter and photo-pin-diode for proximity function
- 16 bit effective resolution for proximity detection range ensures excellent cross talk immunity
- Programmable LED drive current from 10 mA to 200 mA in 10 mA steps
- Excellent ambient light suppression by signal modulation
- Proximity distance up to 200 mm

### PRODUCT SUMMARY

| PART NUMBER | OPERATING RANGE (mm) | OPERATING VOLTAGE RANGE (V) | I <sup>2</sup> C BUS VOLTAGE RANGE (V) | LED PULSE CURRENT <sup>(1)</sup> (mA) | OUTPUT CODE              |
|-------------|----------------------|-----------------------------|--|---------------------------------------|--------------------------|
| VCNL3020    | 1 to 200             | 2.5 to 3.6                  | 1.7 to 5                               | 10 to 200                             | 16 bit, I <sup>2</sup> C |

#### Note

<sup>(1)</sup> Adjustable through I<sup>2</sup>C interface

**ORDERING INFORMATION**

| ORDERING CODE                  | PACKAGING     | VOLUME <sup>(1)</sup> | REMARKS                     |
|--------------------------------|---------------|-----------------------|-----------------------------|
| VCNL3020-GS08                  | Tape and reel | MOQ: 3300 pcs         | 4.90 mm x 2.40 mm x 0.83 mm |
| VCNL3020-GS18                  |               | MOQ: 13 300 pcs       |                             |
| VCNL4000demokit <sup>(2)</sup> | -             | MOQ: 1 pc             | -                           |

**Notes**

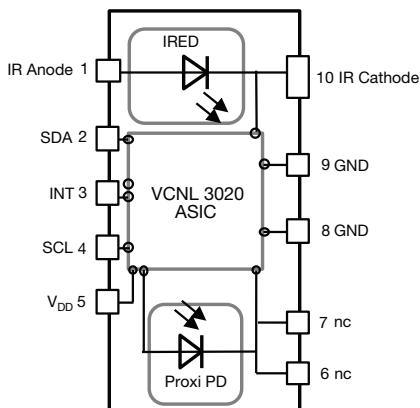
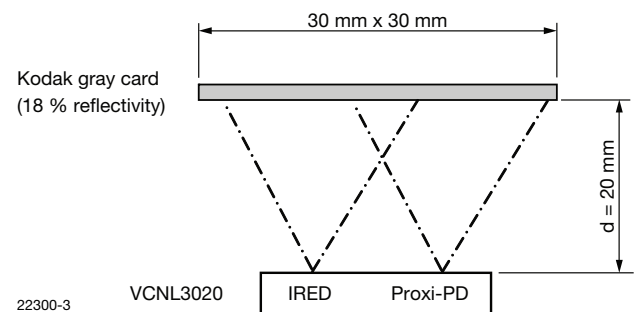
- (1) MOQ: minimum order quantity
- (2) VCNL4000 demokit provides USB dongle, basic software including Vishay licence. The VCNL3020 sensor board could be ordered free of charge. For your order please contact [sensorstechsupport](mailto:sensorstechsupport@vishay.com). Software updates for VCNL3020 could be downloaded from web site: [www.vishay.com/optical-sensors/list/product-83476/](http://www.vishay.com/optical-sensors/list/product-83476/)

**ABSOLUTE MAXIMUM RATINGS** ( $T_{amb} = 25\text{ }^{\circ}\text{C}$ , unless otherwise specified)

| PARAMETER                   | TEST CONDITION                            | SYMBOL    | MIN.  | MAX. | UNIT               |
|-----------------------------|---|-----------|-------|------|--------------------|
| Supply voltage              |   | $V_{DD}$  | - 0.3 | 5.5  | V                  |
| Operation temperature range |   | $T_{amb}$ | - 25  | + 85 | $^{\circ}\text{C}$ |
| Storage temperature range   |   | $T_{stg}$ | - 25  | + 85 | $^{\circ}\text{C}$ |
| Total power dissipation     | $T_{amb} \leq 25\text{ }^{\circ}\text{C}$ | $P_{tot}$ |       | 50   | mW                 |
| Junction temperature        |   | $T_j$     |       | 100  | $^{\circ}\text{C}$ |

**BASIC CHARACTERISTICS** ( $T_{amb} = 25\text{ }^{\circ}\text{C}$ , unless otherwise specified)

| PARAMETER  | TEST CONDITION                                   | SYMBOL    | MIN. | TYP. | MAX. | UNIT          |
|--|--|-----------|------|------|------|---------------|
| Supply voltage $V_{DD}$                                  |  |           | 2.5  |      | 3.6  | V             |
| Supply voltage IR anode                                  |  |           | 2.5  |      | 5    | V             |
| I <sup>2</sup> C Bus H-level range                       |  |           | 1.7  |      | 5    | V             |
| INT H-level range  |  |           | 1.7  |      | 5    | V             |
| INT low voltage  | 3 mA sink current                                |           |      |      | 0.4  | V             |
| Current consumption                                      | Standby current, no IRED-operation               |           |      | 1.5  | 2    | $\mu\text{A}$ |
| Current consumption proximity mode incl. IRED (averaged) | 2 measurements per second, IRED current 20 mA    |           |      | 5    |      | $\mu\text{A}$ |
|  | 250 measurements per second, IRED current 20 mA  |           |      | 520  |      | $\mu\text{A}$ |
|  | 2 measurements per second, IRED current 200 mA   |           |      | 35   |      | $\mu\text{A}$ |
|  | 250 measurements per second, IRED current 200 mA |           |      | 4    |      | mA            |
| I <sup>2</sup> C clock rate range                        |  | $f_{SCL}$ |      |      | 3400 | kHz           |

**CIRCUIT BLOCK DIAGRAM**

**TEST CIRCUIT**

**Note**

- nc must not be electrically connected
- Pads 6 and 7 are only considered as solder pads



**BASIC CHARACTERISTICS** ( $T_{amb} = 25\text{ }^{\circ}\text{C}$ , unless otherwise specified)

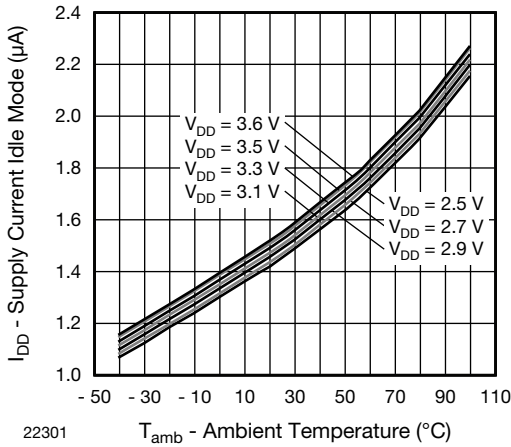


Fig. 1 - Idle Current vs. Ambient Temperature

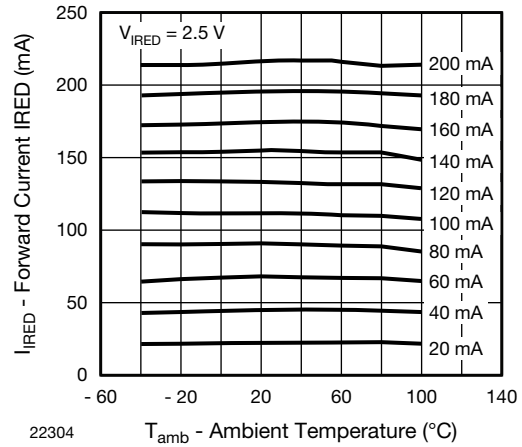


Fig. 4 - Forward Current vs. Temperature

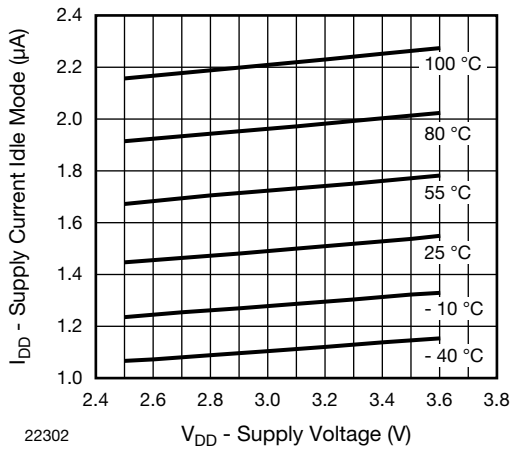


Fig. 2 - Idle Current vs.  $V_{DD}$

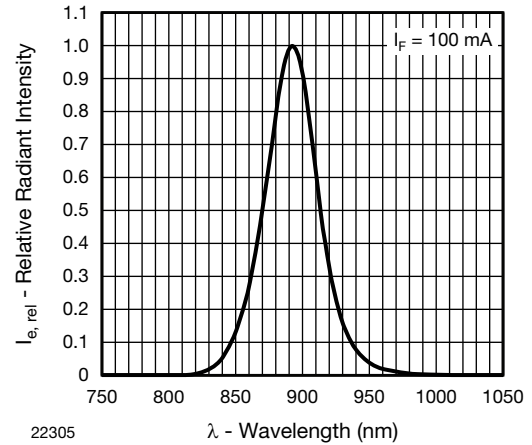


Fig. 5 - Relative Radiant Intensity vs. Wavelength

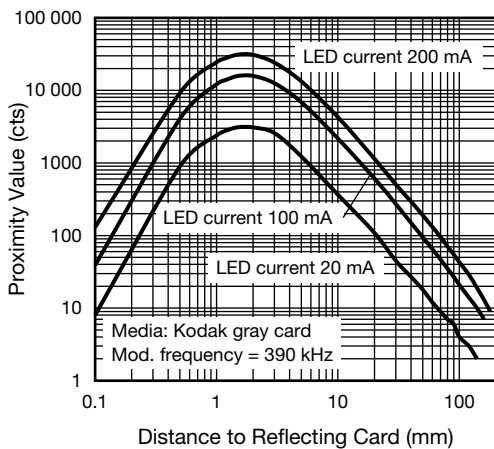


Fig. 3 - Proximity Value vs. Distance

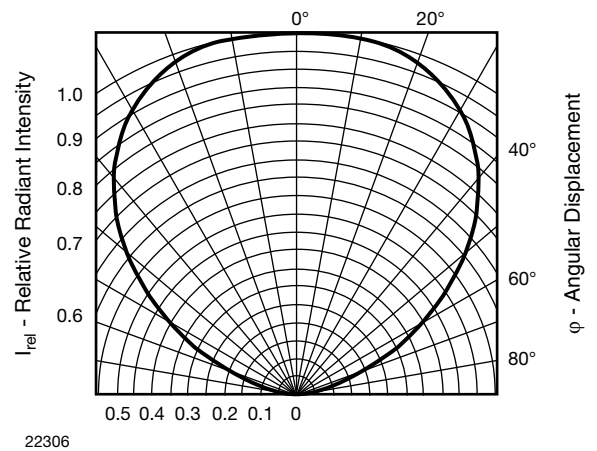


Fig. 6 - Relative Radiant Intensity vs. Angular Displacement

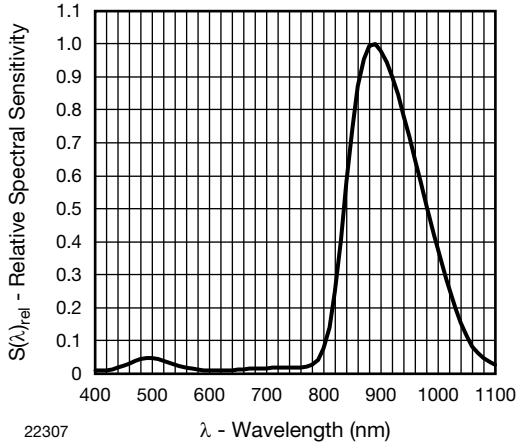


Fig. 7 - Relative Spectral Sensitivity vs. Wavelength (Proximity Sensor)

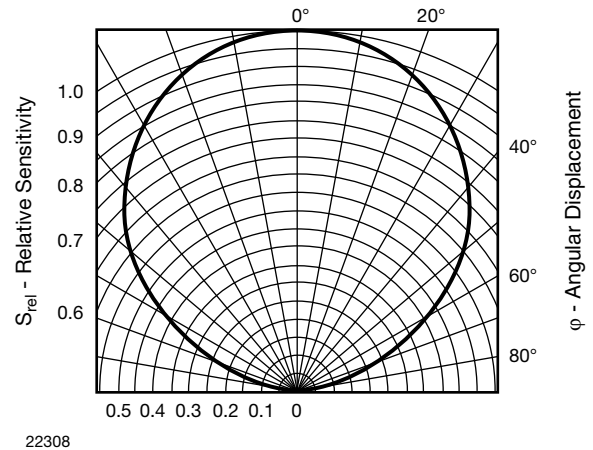


Fig. 8 - Relative Radiant Sensitivity vs. Angular Displacement (Proximity Sensor)

**APPLICATION INFORMATION**

VCNL3020 is a cost effective solution of proximity sensor with I<sup>2</sup>C bus interface. The standard serial digital interface is easy to access “Proximity Signal” without complex calculation and programming by external controller. Beside the digital output also a flexible programmable interrupt pin is available.

**1. Application Circuit**

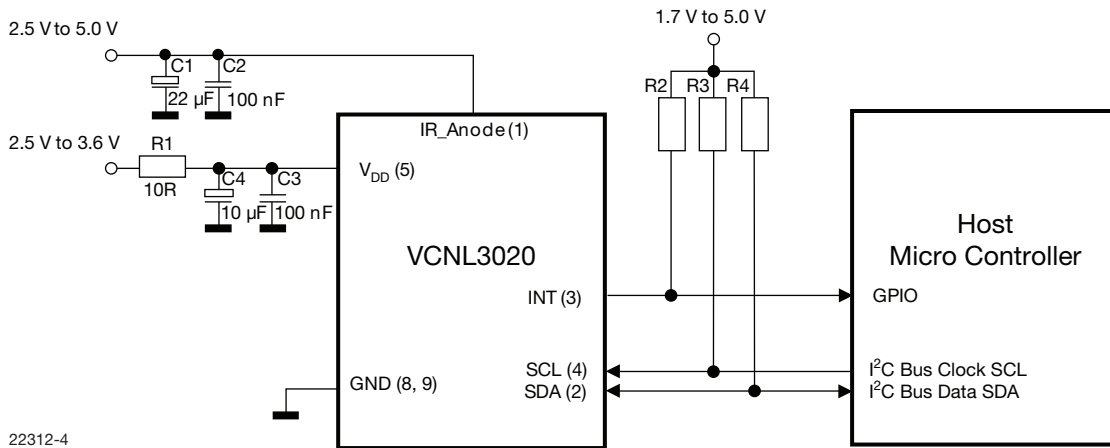


Fig. 9 - Application Circuit (x) = Pin Number

**Note**

- The interrupt pin is an open drain output. The needed pull-up resistor may be connected to the same supply voltage as the application controller and the pull-up resistors at SDA/SCL. Proposed value R2 should be >1 kΩ, e.g. 10 kΩ to 100 kΩ. Proposed value for R3 and R4, e.g. 2.2 kΩ to 4.7 kΩ, depend also on the I<sup>2</sup>C bus speed. For detailed description about set-up and use of the interrupt as well as more application related information see AN: “Designing VCNL3020 into an Application”.

**2. I<sup>2</sup>C Interface**

The VCNL3020 contains seventeen 8 bit registers for operation control, parameter setup and result buffering. All registers are accessible via I<sup>2</sup>C communication. Figure 13 shows the basic I<sup>2</sup>C communication with VCNL3020.

The built in I<sup>2</sup>C interface is compatible with all I<sup>2</sup>C modes (standard, fast, and high speed).

I<sup>2</sup>C H-level range = 1.7 V to 5 V.

Please refer to the I<sup>2</sup>C specification from NXP for details.

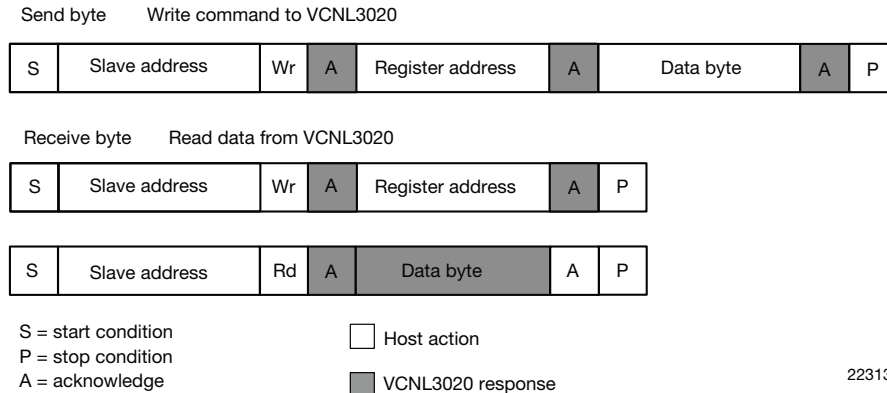


Fig. 10 - Send Byte/Receive Byte Protocol

**Device Address**

The VCNL3020 has a fix slave address for the host programming and accessing selection. The predefined 7 bit I<sup>2</sup>C bus address is set to 0010 011 = 13h. The least significant bit (LSB) defines read or write mode. Accordingly the bus address is set to 0010 011x = 26h for write, 27h for read.

**Register Addresses**

VCNL3020 has seventeen user accessible 8 bit registers. The register addresses are 80h (register #0) to 90h (register #16).

**REGISTER FUNCTIONS**

**Register #0 Command Register**

Register address = 80h

The register #0 is for starting proximity measurements. This register contains a flag bit for data ready indication.

| TABLE 1 - COMMAND REGISTER #0 |  |               |       |         |       |         |              |
|-------------------------------|--|---------------|-------|---------|-------|---------|--------------|
| Bit 7                         | Bit 6  | Bit 5         | Bit 4 | Bit 3   | Bit 2 | Bit 1   | Bit 0        |
| config_lock                   | n/a  | prox_data_rdy | n/a   | prox_od | n/a   | prox_en | selftimed_en |
| Description                   |  |               |       |         |       |         |              |
| config_lock                   | Read only bit. Value = 1   |               |       |         |       |         |              |
| prox_data_rdy                 | Read only bit. Value = 1 when proximity measurement data is available in the result registers. This bit will be reset when one of the corresponding result registers (reg #7, reg #8) is read. |               |       |         |       |         |              |
| prox_od                       | R/W bit. Starts a single on-demand measurement for proximity. Result is available at the end of conversion for reading in the registers #7(HB) and #8(LB).                                     |               |       |         |       |         |              |
| prox_en                       | R/W bit. Enables periodic proximity measurement  |               |       |         |       |         |              |
| selftimed_en                  | R/W bit. Enables state machine and LP oscillator for self timed measurements; no measurement is performed until the corresponding bit is set   |               |       |         |       |         |              |

**Note**

- Beside prox\_en first selftimed\_en needs to be set. On-demand measurement mode is disabled if selftimed\_en bit is set. For the selftimed\_en mode changes in reading rates (reg #2) can be made only when b0 (selftimed\_en bit) = 0.



Register #1 Product ID Revision Register

Register address = 81h. This register contains information about product ID and product revision.

Register data value of current revision = 21h.

| TABLE 2 - PRODUCT ID REVISION REGISTER #1 |       |                           |       |             |       |       |       |
|---|-------|---------------------------|-------|-------------|-------|-------|-------|
| Bit 7                                     | Bit 6 | Bit 5                     | Bit 4 | Bit 3       | Bit 2 | Bit 1 | Bit 0 |
| Product ID                                |       |                           |       | Revision ID |       |       |       |
| Description                               |       |                           |       |             |       |       |       |
| Product ID                                |       | Read only bits. Value = 2 |       |             |       |       |       |
| Revision ID                               |       | Read only bits. Value = 1 |       |             |       |       |       |

Register #2 Rate of Proximity Measurement

Register address = 82h.

| TABLE 3 - PROXIMITY RATE REGISTER #2 |       |   |       |       |  |       |       |
|--------------------------------------|-------|---|-------|-------|--|-------|-------|
| Bit 7                                | Bit 6 | Bit 5   | Bit 4 | Bit 3 | Bit 2  | Bit 1 | Bit 0 |
| n/a                                  |       |   |       |       | Rate of Proximity Measurement (no. of measurements per second) |       |       |
| Description                          |       |   |       |       |  |       |       |
| Proximity rate                       |       | R/W bits.<br>000 - 1.95 measurements/s (DEFAULT)<br>001 - 3.90625 measurements/s<br>010 - 7.8125 measurements/s<br>011 - 16.625 measurements/s<br>100 - 31.25 measurements/s<br>101 - 62.5 measurements/s<br>110 - 125 measurements/s<br>111 - 250 measurements/s |       |       |  |       |       |

Note

- If self\_timed measurement is running, any new value written in this register will not be taken over until the mode is actually cycled.

Register #3 LED Current Setting for Proximity Mode

Register address = 83h. This register is to set the LED current value for proximity measurement.

The value is adjustable in steps of 10 mA from 0 mA to 200 mA.

This register also contains information about the used device fuse program ID.

| TABLE 4 - IR LED CURRENT REGISTER #3 |       |   |       |       |       |       |       |
|--------------------------------------|-------|---|-------|-------|-------|-------|-------|
| Bit 7                                | Bit 6 | Bit 5   | Bit 4 | Bit 3 | Bit 2 | Bit 1 | Bit 0 |
| Fuse prog ID                         |       | IR LED current value  |       |       |       |       |       |
| Description                          |       |   |       |       |       |       |       |
| Fuse prog ID                         |       | Read only bits.<br>Information about fuse program revision used for initial setup/calibration of the device.  |       |       |       |       |       |
| IR LED current value                 |       | R/W bits. IR LED current = Value (dec.) x 10 mA.<br>Valid Range = 0 to 20d. e.g. 0 = 0 mA , 1 = 10 mA, ..., 20 = 200 mA (2 = 20 mA = DEFAULT)<br>LED Current is limited to 200 mA for values higher as 20d. |       |       |       |       |       |



Register #7 and #8 Proximity Measurement Result Register

Register address = 87h and 88h. These registers are the result registers for proximity measurement readings.

The result is a 16 bit value. The high byte is stored in register #7 and the low byte in register #8.

| TABLE 5 - PROXIMITY RESULT REGISTER #7                           |       |       |       |       |       |       |       |
|--|-------|-------|-------|-------|-------|-------|-------|
| Bit 7  | Bit 6 | Bit 5 | Bit 4 | Bit 3 | Bit 2 | Bit 1 | Bit 0 |
| <b>Description</b>   |       |       |       |       |       |       |       |
| Read only bits. High byte (15:8) of proximity measurement result |       |       |       |       |       |       |       |

| TABLE 6 - PROXIMITY RESULT REGISTER #8                         |       |       |       |       |       |       |       |
|--|-------|-------|-------|-------|-------|-------|-------|
| Bit 7  | Bit 6 | Bit 5 | Bit 4 | Bit 3 | Bit 2 | Bit 1 | Bit 0 |
| <b>Description</b>   |       |       |       |       |       |       |       |
| Read only bits. Low byte (7:0) of proximity measurement result |       |       |       |       |       |       |       |

Register #9 Interrupt Control Register

Register address = 89h.

| TABLE 7 - INTERRUPT CONTROL REGISTER #9 |       |   |       |                   |       |              |               |
|---|-------|---|-------|-------------------|-------|--------------|---------------|
| Bit 7                                   | Bit 6 | Bit 5   | Bit 4 | Bit 3             | Bit 2 | Bit 1        | Bit 0         |
| Int count exceed                        |       | n/a   |       | INT_PROX_ready_EN | n/a   | INT_THRES_EN | INT_THRES_SEL |
| <b>Description</b>                      |       |   |       |                   |       |              |               |
| Int count exceed                        |       | R/W bits. These bits contain the number of consecutive measurements needed above/below the threshold<br>000 - 1 count = DEFAULT<br>001 - 2 count<br>010 - 4 count<br>011 - 8 count<br>100 - 16 count<br>101 - 32 count<br>110 - 64 count<br>111 - 128 count |       |                   |       |              |               |
| INT_PROX_ready_EN                       |       | R/W bit. Enables interrupt generation at proximity data ready   |       |                   |       |              |               |
| INT_THRES_EN                            |       | R/W bit. Enables interrupt generation when high or low threshold is exceeded  |       |                   |       |              |               |
| INT_THRES_SEL                           |       | R/W bit. 0: thresholds are applied to proximity measurements  |       |                   |       |              |               |





Register #10 and #11 Low Threshold

Register address = 8Ah and 8Bh. These registers contain the low threshold value. The value is a 16 bit word. The high byte is stored in register #10 and the low byte in register #11.

| TABLE 8 - LOW THRESHOLD REGISTER #10              |       |       |       |       |       |       |       |
|---|-------|-------|-------|-------|-------|-------|-------|
| Bit 7   | Bit 6 | Bit 5 | Bit 4 | Bit 3 | Bit 2 | Bit 1 | Bit 0 |
| <b>Description</b>                                |       |       |       |       |       |       |       |
| R/W bits. High byte (15:8) of low threshold value |       |       |       |       |       |       |       |

| TABLE 9 - LOW THRESHOLD REGISTER #11            |       |       |       |       |       |       |       |
|---|-------|-------|-------|-------|-------|-------|-------|
| Bit 7   | Bit 6 | Bit 5 | Bit 4 | Bit 3 | Bit 2 | Bit 1 | Bit 0 |
| <b>Description</b>                              |       |       |       |       |       |       |       |
| R/W bits. Low byte (7:0) of low threshold value |       |       |       |       |       |       |       |

Register #12 and #13 High Threshold

Register address = 8Ch and 8Dh. These registers contain the high threshold value. The value is a 16 bit word. The high byte is stored in register #12 and the low byte in register #13.

| TABLE 10 - HIGH THRESHOLD REGISTER #12             |       |       |       |       |       |       |       |
|--|-------|-------|-------|-------|-------|-------|-------|
| Bit 7  | Bit 6 | Bit 5 | Bit 4 | Bit 3 | Bit 2 | Bit 1 | Bit 0 |
| <b>Description</b>                                 |       |       |       |       |       |       |       |
| R/W bits. High byte (15:8) of high threshold value |       |       |       |       |       |       |       |

| TABLE 11 - HIGH THRESHOLD REGISTER #13           |       |       |       |       |       |       |       |
|--|-------|-------|-------|-------|-------|-------|-------|
| Bit 7  | Bit 6 | Bit 5 | Bit 4 | Bit 3 | Bit 2 | Bit 1 | Bit 0 |
| <b>Description</b>                               |       |       |       |       |       |       |       |
| R/W bits. Low byte (7:0) of high threshold value |       |       |       |       |       |       |       |

Register #14 Interrupt Status Register

Register address = 8Eh. This register contains information about the interrupt status indicates if high or low going threshold exceeded.

| TABLE 12 - INTERRUPT STATUS REGISTER #14 |       |  |       |                |       |       |            |           |
|--|-------|--|-------|----------------|-------|-------|------------|-----------|
| Bit 7                                    | Bit 6 | Bit 5  | Bit 4 | Bit 3          | Bit 2 | Bit 1 | Bit 0      |           |
| n/a                                      |       |  |       | int_prox_ready | n/a   |       | int_th_low | int_th_hi |
| <b>Description</b>                       |       |  |       |                |       |       |            |           |
| int_prox_ready                           |       | R/W bit. Indicates a generated interrupt for proximity |       |                |       |       |            |           |
| int_th_low                               |       | R/W bit. Indicates a low threshold exceed              |       |                |       |       |            |           |
| int_th_hi                                |       | R/W bit. Indicates a high threshold exceed             |       |                |       |       |            |           |

Note

- Once an interrupt is generated the corresponding status bit goes to 1 and stays there unless it is cleared by writing a 1 in the corresponding bit. The int pad will be pulled down while at least one of the status bit is 1.

**Register #15 Proximity Modulator Timing Adjustment**

Register address = 8Fh.

| TABLE 13 - PROXIMITY MODULATOR TIMING ADJUSTMENT #15 |       |   |                     |       |                      |       |       |
|--|-------|---|---------------------|-------|----------------------|-------|-------|
| Bit 7  | Bit 6 | Bit 5   | Bit 4               | Bit 3 | Bit 2                | Bit 1 | Bit 0 |
| Modulation delay time                                |       |   | Proximity frequency |       | Modulation dead time |       |       |
| Description  |       |   |                     |       |                      |       |       |
| Modulation delay time                                |       | R/W bits. Setting a delay time between IR LED signal and IR input signal evaluation. This function is for compensation of delays from IR LED and IR photo diode. Also in respect to the possibility for setting different proximity signal frequency. Correct adjustment is optimizing measurement signal level. ( DEFAULT = 0) |                     |       |                      |       |       |
| Proximity frequency                                  |       | R/W bits. Setting the proximity IR test signal frequency<br>The proximity measurement is using a square IR signal as measurement signal. Four different values are possible:<br>00 = 390.625 kHz (DEFAULT)<br>01 = 781.25 kHz<br>10 = 1.5625 MHz<br>11 = 3.125 MHz  |                     |       |                      |       |       |
| Modulation dead time                                 |       | R/W bits. Setting a dead time in evaluation of IR signal at the slopes of the IR signal. ( DEFAULT = 1)<br>This function is for reducing of possible disturbance effects.<br>This function is reducing signal level and should be used carefully.   |                     |       |                      |       |       |

**Note**

- The settings for best performance will be provided by Vishay. With first samples this is evaluated to: Delay Time = 0 ; Dead Time = 1 and Prox Frequency = 0 . With that register#15 should be programmed with 1 (= default value).

**Register #16 Ambient IR Light Level Register**

Register address = 90h.

This register is not intended to be used by customer.

**3. IMPORTANT APPLICATION HINTS AND EXAMPLES**

**3.1 Receiver standby mode**

In standby mode the receiver has the lowest current consumption of about 1.5  $\mu$ A. In this mode only the I<sup>2</sup>C interface is active. This is always valid, when there are no proximity measurement demands executed. Also the current sink for the IR-LED is inactive, so there is no need for changing register #3 (IR LED current).

**3.2 Data Read**

In order to get a certain register value, the register has to be addressed without data like shown in the following scheme. After this register addressing, the data from the addressed register is written after a subsequent read command.

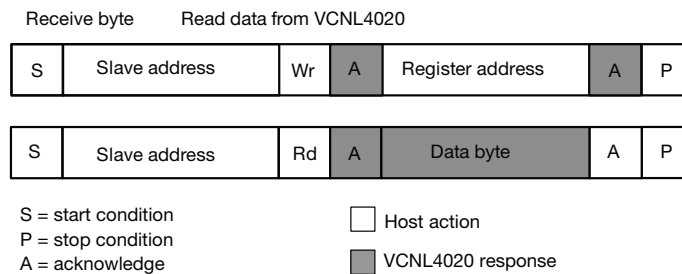


Fig. 11 - Send Byte/Receive Byte Protocol

The stop condition between these write and read sequences is not mandatory. It works also with a repeated start condition.

**Note**

- For reading out 2 (or more) subsequent registers like the result registers, it is not necessary to address each of the registers separately. After one read command the internal register counter is increased automatically and any subsequent read command is accessing the next register.

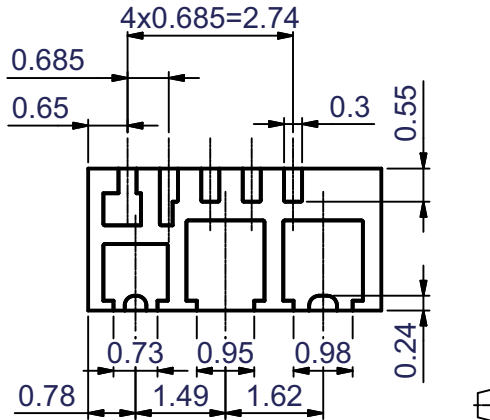
Example: read register "Proximity Result Register" #7 and #8:

Addressing:command: 26h, 87h (VCNL3020\_I<sup>2</sup>C\_Bus\_Write\_Adr., Proximity Result Register #7 [87])

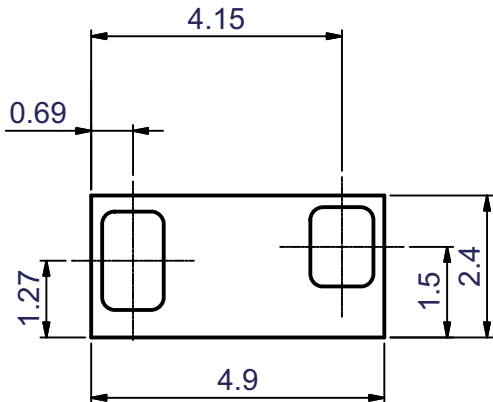
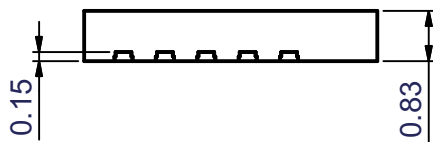
Read register #7: command: 27h, data (VCNL3020\_I<sup>2</sup>C\_Bus\_Read\_Adr., {High Byte Data of Proximity Result register #7 [87]})

Read register #8: command: 27h, data (VCNL3020\_I<sup>2</sup>C\_Bus\_Read\_Adr., {Low Byte Data of Proximity Result register #8 [88]})

**PACKAGE DIMENSIONS** in millimeters



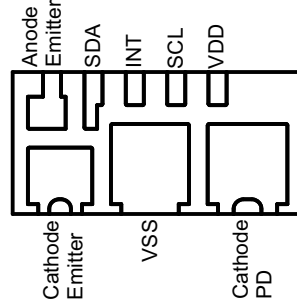
technical drawings according to DIN specifications



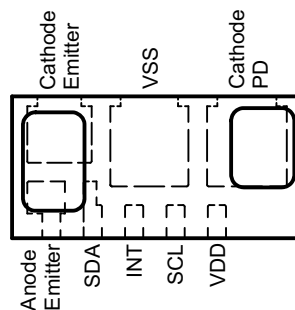
Drawing refers to following types: VCNL3020  
Drawing-No.: 6.550-5319 Issue: prel. 14. MAY 2012

Not indicated tolerances ± 0.1

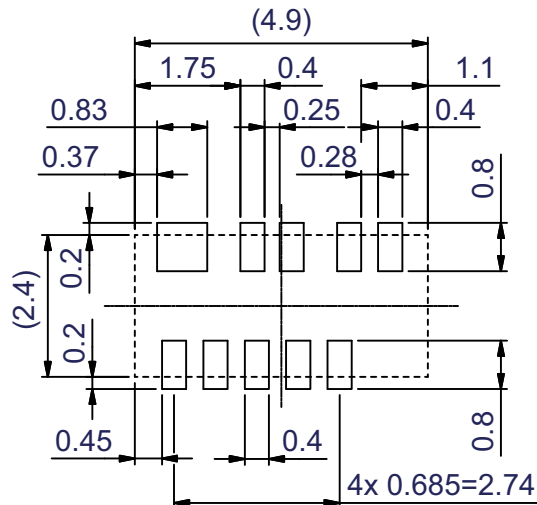
Pinning Bottom view



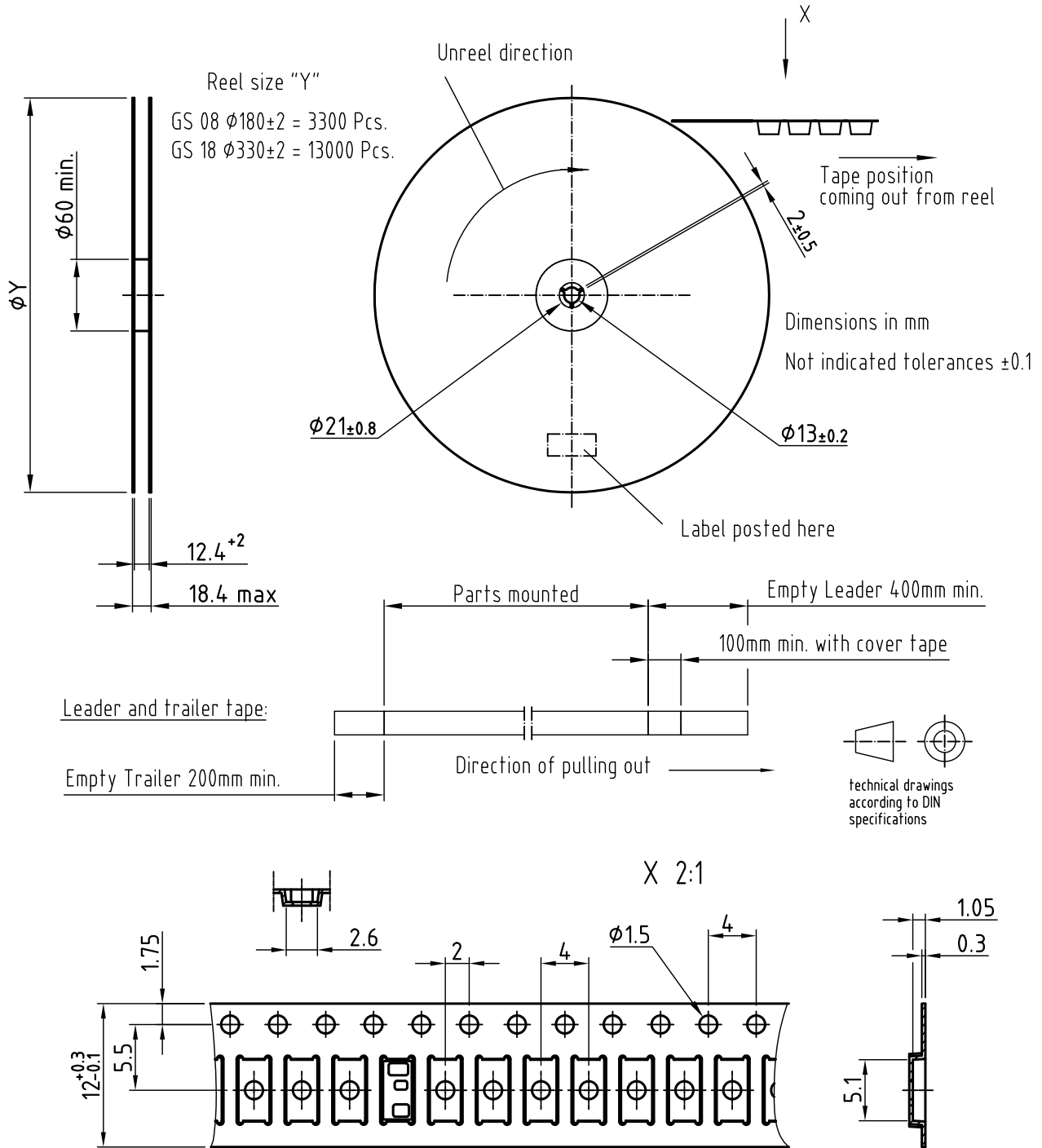
Pinning Top view



Proposed PCB Footprint



**TAPE AND REEL DIMENSIONS** in millimeters



Drawing-No.: 9.700-5387.01-4  
 Issue: prel; 22.11.11

**SOLDER PROFILE**

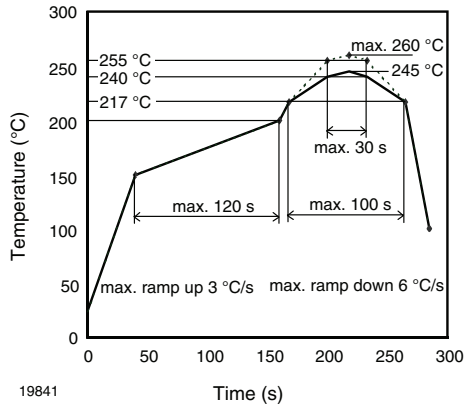


Fig. 12 - Lead (Pb)-free Reflow Solder Profile acc. J-STD-020

**DRYPACK**

Devices are packed in moisture barrier bags (MBB) to prevent the products from moisture absorption during transportation and storage. Each bag contains a desiccant.

**FLOOR LIFE**

Floor life (time between soldering and removing from MBB) must not exceed the time indicated on MBB label:

Floor life: 72 h

Conditions:  $T_{amb} < 30\text{ °C}$ ,  $RH < 60\%$

Moisture sensitivity level 4, acc. to J-STD-020.

**DRYING**

In case of moisture absorption devices should be baked before soldering. Conditions see J-STD-020 or label. Devices taped on reel dry using recommended conditions 192 h at  $40\text{ °C} (+ 5\text{ °C})$ ,  $RH < 5\%$ .





## Disclaimer

ALL PRODUCT, PRODUCT SPECIFICATIONS AND DATA ARE SUBJECT TO CHANGE WITHOUT NOTICE TO IMPROVE RELIABILITY, FUNCTION OR DESIGN OR OTHERWISE.

Vishay Intertechnology, Inc., its affiliates, agents, and employees, and all persons acting on its or their behalf (collectively, "Vishay"), disclaim any and all liability for any errors, inaccuracies or incompleteness contained in any datasheet or in any other disclosure relating to any product.

Vishay makes no warranty, representation or guarantee regarding the suitability of the products for any particular purpose or the continuing production of any product. To the maximum extent permitted by applicable law, Vishay disclaims (i) any and all liability arising out of the application or use of any product, (ii) any and all liability, including without limitation special, consequential or incidental damages, and (iii) any and all implied warranties, including warranties of fitness for particular purpose, non-infringement and merchantability.

Statements regarding the suitability of products for certain types of applications are based on Vishay's knowledge of typical requirements that are often placed on Vishay products in generic applications. Such statements are not binding statements about the suitability of products for a particular application. It is the customer's responsibility to validate that a particular product with the properties described in the product specification is suitable for use in a particular application. Parameters provided in datasheets and/or specifications may vary in different applications and performance may vary over time. All operating parameters, including typical parameters, must be validated for each customer application by the customer's technical experts. Product specifications do not expand or otherwise modify Vishay's terms and conditions of purchase, including but not limited to the warranty expressed therein.

Except as expressly indicated in writing, Vishay products are not designed for use in medical, life-saving, or life-sustaining applications or for any other application in which the failure of the Vishay product could result in personal injury or death. Customers using or selling Vishay products not expressly indicated for use in such applications do so at their own risk. Please contact authorized Vishay personnel to obtain written terms and conditions regarding products designed for such applications.

No license, express or implied, by estoppel or otherwise, to any intellectual property rights is granted by this document or by any conduct of Vishay. Product names and markings noted herein may be trademarks of their respective owners.

## Material Category Policy

**Vishay Intertechnology, Inc. hereby certifies that all its products that are identified as RoHS-Compliant fulfill the definitions and restrictions defined under Directive 2011/65/EU of The European Parliament and of the Council of June 8, 2011 on the restriction of the use of certain hazardous substances in electrical and electronic equipment (EEE) - recast, unless otherwise specified as non-compliant.**

**Please note that some Vishay documentation may still make reference to RoHS Directive 2002/95/EC. We confirm that all the products identified as being compliant to Directive 2002/95/EC conform to Directive 2011/65/EU.**

**Vishay Intertechnology, Inc. hereby certifies that all its products that are identified as Halogen-Free follow Halogen-Free requirements as per JEDEC JS709A standards. Please note that some Vishay documentation may still make reference to the IEC 61249-2-21 definition. We confirm that all the products identified as being compliant to IEC 61249-2-21 conform to JEDEC JS709A standards.**