



Chipsmall Limited consists of a professional team with an average of over 10 year of expertise in the distribution of electronic components. Based in Hongkong, we have already established firm and mutual-benefit business relationships with customers from,Europe,America and south Asia,supplying obsolete and hard-to-find components to meet their specific needs.

With the principle of “Quality Parts,Customers Priority,Honest Operation,and Considerate Service”,our business mainly focus on the distribution of electronic components. Line cards we deal with include Microchip,ALPS,ROHM,Xilinx,Pulse,ON,Everlight and Freescale. Main products comprise IC,Modules,Potentiometer,IC Socket,Relay,Connector.Our parts cover such applications as commercial,industrial, and automotives areas.

We are looking forward to setting up business relationship with you and hope to provide you with the best service and solution. Let us make a better world for our industry!



## Contact us

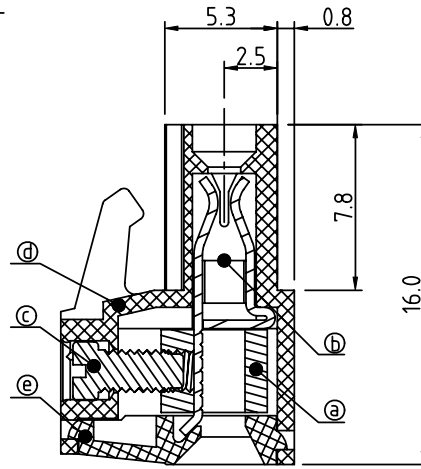
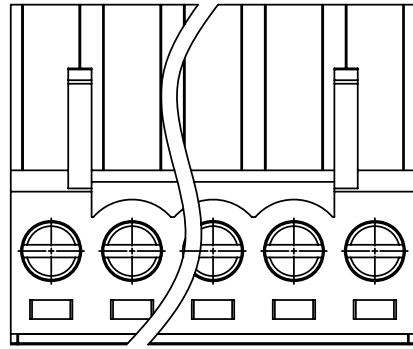
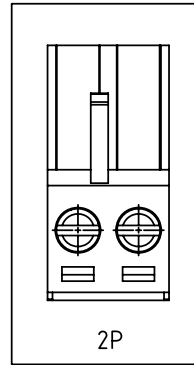
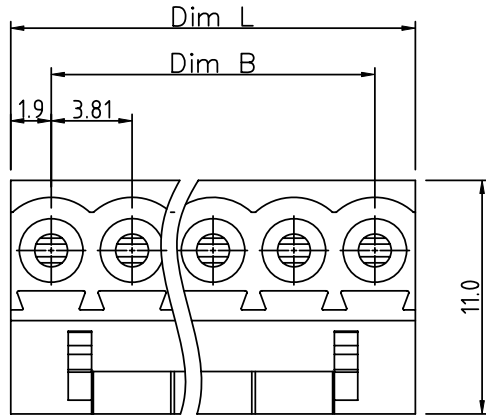
Tel: +86-755-8981 8866 Fax: +86-755-8427 6832

Email & Skype: info@chipsmall.com Web: www.chipsmall.com

Address: A1208, Overseas Decoration Building, #122 Zhenhua RD., Futian, Shenzhen, China



PRODUCT NUMBER	PITCH
VDxx31x000J0G	3.81 mm



**Material**

- Item Ⓐ Clamp: Brass (CuZn) Ni plated
- Item Ⓑ Female contact :PhBz(CuSn) Tin plated
- Item Ⓒ Terminal screw:Steel Zinc plating"-slot type
- Item Ⓓ Terminal (housing):Thermoplastic (UL94V-0)
- Item Ⓔ Terminal cover:Thermoplastic (UL94V-0)

**Electrical cULus**

- Voltage rating:300V
- Current rating:8A
- Wire range:
- Solid wire(AWG):16-28
- Stranded wire(AWG):16-28
- Torque(Lb-In):1.7
- Screw:M2
- Wire strip length:6-7mm
- Withstanding Voltage:1.6KV
- Operating temperature:-40°C to +115°C
- Safety Approval:

**N=NUMBER OF POLES**

Dim L=N×3.81
Dim B=(N-1)×3.81

POLES	Tolerance
2P-5P	±0.15
6P-10P	±0.20
11P-15P	±0.25
16P-20P	±0.30
21P-24P	±0.35

**PART NO.: VD xx 31 x 0 00J0 G**

Solid block	No. of poles	Color	RoHS compliant (lead<4% In copper Alloy)
0	2	Black (RAL9005)	
02	3	Red (RAL3001/D)	
03	4	Orange(RAL2011/P)	
...	...	5 Green(RAL6018/T)	
24	6	Blue (RAL5015/A)	
	8	Grey(RAL7035/D)	
	9	White(RAL1102)	
	C	Green(RAL6018/U)	

mat'l. code		surface ASME Y14.5 ✓	tolerance ASME Y14.5	projection	product family
ltr ecn no dr date		tolerances unless otherwise specified			TERMINAL BLOCK
angles		X.±0.5	X.X±0.3	MM	title
X*±1*		X.XX±0.1		scale	TERMINAL BLOCK PLUGGABLE PLUG,WITHOUT FLANGE
dr	EVIN ZHONG	041714			dwg no
enr	EVIN ZHONG	041714			sheet 1 of 1
chr	HANKE FENG	041714			size
appd	SHI JUN	041714			VDxx31x000J0G
sheet index	revision sheet	A	1		A4
					type
					CUSTOMER Drawing