



Chipsmall Limited consists of a professional team with an average of over 10 year of expertise in the distribution of electronic components. Based in Hongkong, we have already established firm and mutual-benefit business relationships with customers from,Europe,America and south Asia,supplying obsolete and hard-to-find components to meet their specific needs.

With the principle of “Quality Parts,Customers Priority,Honest Operation,and Considerate Service”,our business mainly focus on the distribution of electronic components. Line cards we deal with include Microchip,ALPS,ROHM,Xilinx,Pulse,ON,Everlight and Freescale. Main products comprise IC,Modules,Potentiometer,IC Socket,Relay,Connector.Our parts cover such applications as commercial,industrial, and automotives areas.

We are looking forward to setting up business relationship with you and hope to provide you with the best service and solution. Let us make a better world for our industry!



## Contact us

Tel: +86-755-8981 8866 Fax: +86-755-8427 6832

Email & Skype: info@chipsmall.com Web: www.chipsmall.com

Address: A1208, Overseas Decoration Building, #122 Zhenhua RD., Futian, Shenzhen, China





**VOICE/DATA/VIDEO**

# **CONNECTORS**

**Coax & Twisted Pair**

- Time Saving Innovations
- Professional Grade



For Professionals... Since 1857®

**KLEIN  
TOOLS®**



# CONNECTORS

## Coax & Twisted Pair

For more information  
including video,  
scan this code:



For more than 150 years, Klein Tools has provided professionals with the quality and innovation they demand. Our voice/data/video products continue that tradition.

Klein Tools' comprehensive line of innovative connectors make them faster to install, more flexible and convenient to use. Klein's connectors feature the professional grade quality that today's voice/data/video technicians depend on.





# VOICE/DATA/VIDEO

1 PREPARATION

2 CONNECTION

3 TESTING

## COAX COMPRESSION CONNECTORS

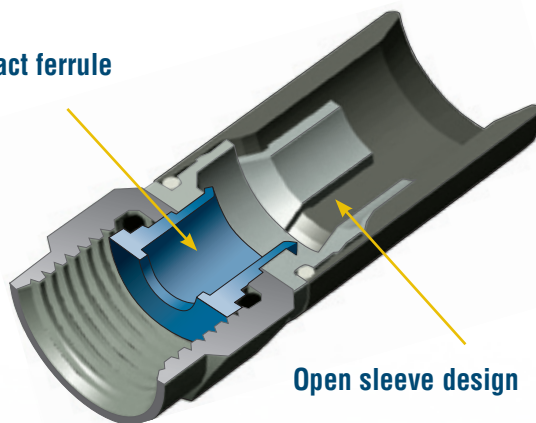
### Universal Sleeve Technology

- Installs up to five times faster
- One connector does it all:
  - Fits all diameter variations within a cable series
  - Fits difficult to work with multi-shield and plenum cables

We have heard the frustration from coax installers about connecting thicker cables, plenum cables, or simply dealing with the variety of diameters within a single series of cable. Gone are the days of stocking three, four or even five special connectors just to have the right version on hand, or the need to drop everything and run around to find a connector that will work.

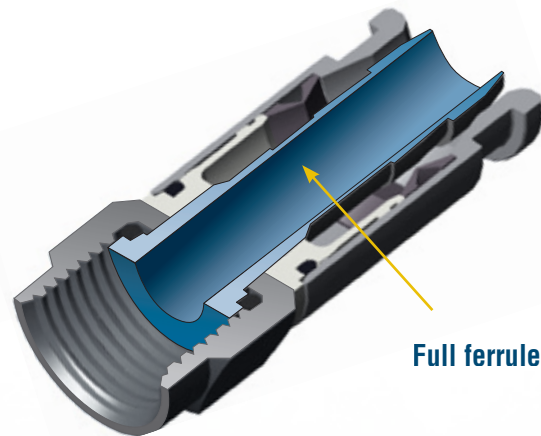
Klein Tools' **Universal** sleeve coax compression connectors not only work in all these cable situations and minimize your inventory, they also install at lightning speeds—up to five times faster than ordinary coax compression connectors, saving installers time and money! This **patented** sleeve design still provides the excellent holding power and signal strength you require.

Compact ferrule



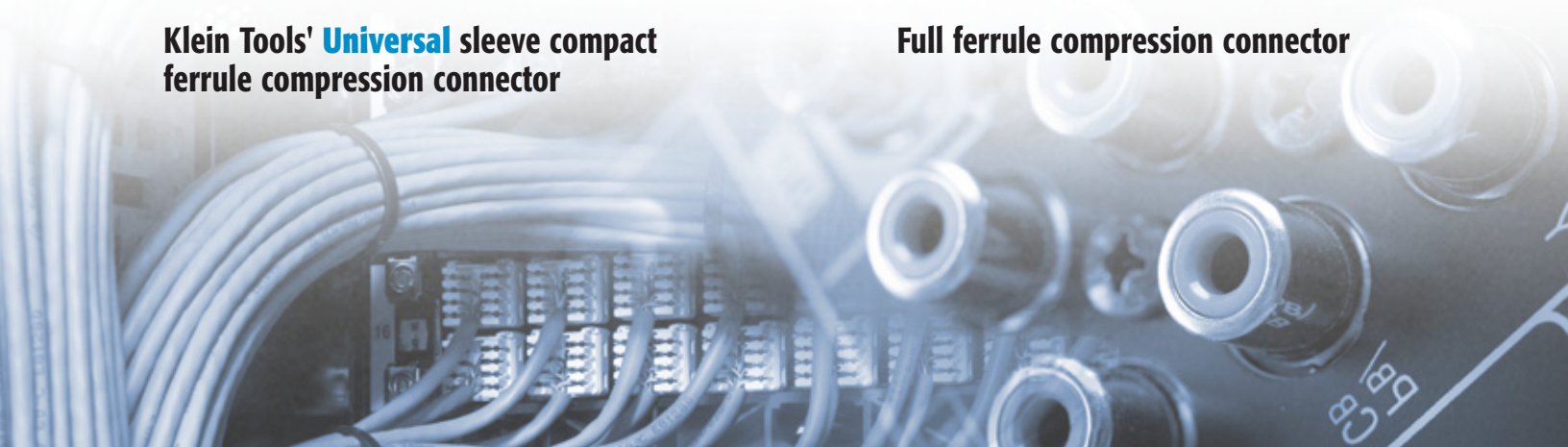
Open sleeve design

Full ferrule



Klein Tools' **Universal** sleeve compact ferrule compression connector

Full ferrule compression connector



# Coax Cable Connectors

Universal Compression Connectors • RG6 • RG6 Quad Shield • RG59

**New Technology**

**Installs  
Up To**

**5x  
Faster!**

## Universal Compression Connectors

- Fit all diameter variations within a cable series
- Fit difficult to work with multi-shield and plenum cables
- Premium quality, solid brass construction
- Elegant dark nickel-plated finish

### F • RG6-RG6Q



VDV812-606, VDV812-612

### BNC • RG6-RG6Q



VDV813-607, VDV813-613

### RCA • RG6-RG6Q



VDV813-608, VDV813-614

### F • RG59



VDV812-615, VDV812-618

### BNC • RG59



VDV813-616, VDV813-619

### RCA • RG59



VDV813-617, VDV813-620

## SELECTION GUIDE

Connector Type	Universal						Standard
	F-Connector		BNC-Connector		RCA-Connector		F-Connector
Crimping Type	Compression		Compression		Compression		Compression
Cable Type:							
RG59	•		•		•		
RG6		•		•		•	•
RG6 QUAD SHIELD		•		•		•	•
Universal Sleeve *	•	•	•	•	•	•	•
Outdoor Use							•
Cat. Nos:							
Pack Size: 10	VDV812-615	VDV812-606	VDV813-616	VDV813-607	VDV813-617	VDV813-608	VDV812-623
Pack Size: 35			VDV813-619	VDV813-613	VDV813-620	VDV813-614	
Pack Size: 50	VDV812-618	VDV812-612					VDV812-624
Klein Crimping Tools	VDV211-063, VDV211-048, VDV211-007						VDV211-063, VDV211-048, VDV211-007, VDV212-008

\* Cable diameters can vary within a series (eg. RG59, RG6 or RG6Q) across all major brands. Universal sleeve fits all cable diameter variations, multi-shield and plenum versions. Installs up to 5X faster than other compression connectors.

# Coax Cable Connectors

## Specialty Connectors • Accessories • Splitters



The Klein Tools' family of coax connectors also includes a variety of specialty connectors, accessories and splitters. These products have patented features for improved system performance, ease of installation, higher return loss, "higher shielding" (prevents ghosted and grainy images) and greater gripping strength of cable conductors (optimizes signal strength).

### Standard Compression Connectors

#### F • RG6



VDV812-623, VDV812-624

- Full ferrule
- Solid brass construction with nickel-plated finish
- Best choice for outdoors
- Great for satellite dishes

### Specialty Connectors & Accessories

#### F Push-On Connector



VDV812-625, VDV812-626, VDV812-627

- Patented, tool-less, easy grip design

#### F to BNC Adapter



VDV814-629

- Converts F-connectors to BNC connectors

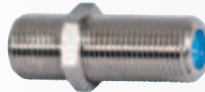
#### F to RCA Adapter



VDV814-630

- Converts F-connectors to RCA connectors

#### F-Splice Adapter - 3 GHz



VDV814-609

- Patented gripping mechanism for optimal signal strength

#### F-Terminator



VDV814-610

- Prevents extraneous signals from decreasing system performance

#### 90° F-Adapter - 3 GHz



VDV814-631

- Perfect for tight spaces in a cabinet or against a wall

### Splitters

Klein Tools' splitters have lower insertion loss, higher shielding, a solder back cover and are hand-tuned for quality and performance.

#### Digital Cable Splitters (5 MHz to 1 GHz)



2-way - VDV814-633



4-way - VDV814-634



8-way - VDV814-635

#### Satellite / Digital Cable Splitters (5 MHz to 2.3 GHz)



2-way - VDV814-636



4-way - VDV814-637

#### Diplexer



- Combines or separates CATV and off-air signals with/from satellite signals

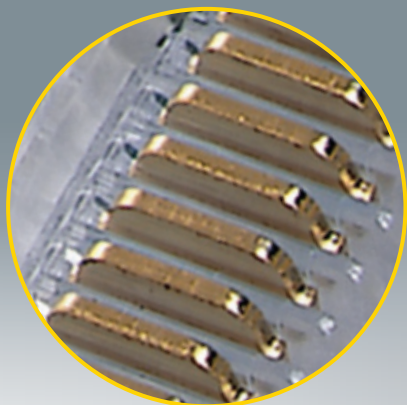
VDV814-638



# Twisted Pair

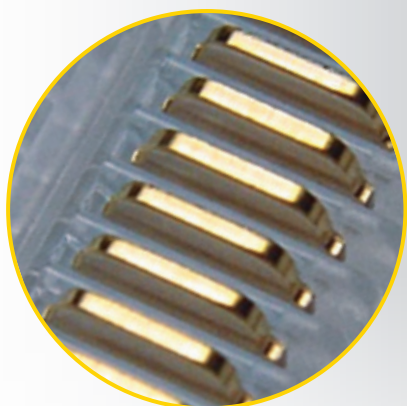
CAT3 • CAT5 • CAT5e • CAT6

## Inferior Plating



Thin, pitted, uneven plated surface leads to premature erosion of contact and causes connector failure.

## Klein Plating



Thick, consistent, evenly plated 50 micro-inch gold for reliable, long-lasting performance.

# Professional Grade Gold Plating

Klein's line of data connectors, telephone plugs and IDC connectors deliver the high quality performance, durability and longevity you demand.

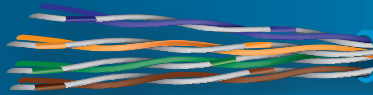
So often today's data and telephone connectors disappoint because of poor performance from "invisible" features such as thin, inferior plating on contact points causing erosion and connector failure, or weak spring clips and housings that break after minimal use.



RJ45 CAT5e 8P8C Modular Data Plug

Klein's data and telephone plugs are professional-grade and deliver consistent, reliable performance. They feature thick 50 micro-inch gold plating on the contact plates, three-pronged solid and stranded wire contacts, and durable connector housings. Expect a sure connection each and every time.





## Modular Data Plugs

### RJ45



8P8C

### CAT5e



VDV826-628, VDV826-602, VDV826-611

### CAT6



3-piece VDV826-603

## Telephone Plugs

### RJ11



6P4C



VDV826-601



6P6C



VDV826-600

## Insulation Displacement Connectors

### UY IDC



VDV826-604  
2-wire  
(26-22 AWG)

### UR IDC



VDV826-605  
3-wire  
(26-19 AWG)

## Strain Relief Boot

### RJ45



VDV824-632

## SELECTION GUIDE

Connector Type	UY	UR	RJ11	RJ11	RJ45	
Position & Contacts	2P2C	3P3C	6P4C	6P6C	8P8C	
Connector Design	1-Piece	1-Piece	1-Piece	1-Piece	1-Piece	3-Piece
Gold Plating Thickness (microinch)			50µ"	50µ"	50µ"	50µ"
Cable Type:						
CAT 3	●	●	●	●		
CAT 5					●	
CAT 5e					●	
CAT 6						●
Solid Conductor Wire	●	●	●	●	●	●
Stranded Conductor Wire					●	●
Connector Color	Yellow	Red	Clear	Clear	Clear	Clear
Cat. No.						
Pack Size: 10					VDV826-628	
Pack Size: 25	VDV826-604	VDV826-605	VDV826-601	VDV826-600		VDV826-603
Pack Size: 50					VDV826-602	
Pack Size: 100					VDV826-611	
Crimping Type	IDC		Modular Plug Connector			
Klein Crimping Tools	D234-6, D234-6C, VDV026-049			VDV226-011		



# VOICE/DATA/VIDEO

**1** PREPARATION

**2** CONNECTION

**3** TESTING

## Coax Crimping Tools:

**Compression Crimper - Lateral, Multi-Connector**



VDV211-063

**Compression Crimper - Compact, Multi-Connector**



VDV211-048

**Compression Crimper - Compact, F-Connector**



VDV212-008

## Twisted Pair Crimping Tools:

**Ratcheting Modular Crimper/Stripper**



VDV226-011

**Connector Crimping Long-Nose Pliers**



VDV026-049

## Coax Connectors

Cat. No.	UPC #0-92644+	Description	Pack Qty.
VDV812-615	58155-7	Universal F Compression Connector - RG59	10
VDV812-618	58158-8	Universal F Compression Connector - RG59	50
VDV812-606	58142-7	Universal F Compression Connector - RG6 - RG6Q	10
VDV812-612	58148-9	Universal F Compression Connector - RG6 - RG6Q	50
VDV813-616	58156-4	Universal BNC Compression Connector - RG59	10
VDV813-619	58159-5	Universal BNC Compression Connector - RG59	35
VDV813-607	58143-4	Universal BNC Compression Connector - RG6 - RG6Q	10
VDV813-613	58149-6	Universal BNC Compression Connector - RG6 - RG6Q	35
VDV813-617	58157-1	Universal RCA Compression Connector - RG59	10
VDV813-620	58160-1	Universal RCA Compression Connector - RG59	35
VDV813-608	58144-1	Universal RCA Compression Connector - RG6 - RG6Q	10
VDV813-614	58150-2	Universal RCA Compression Connector - RG6 - RG6Q	35
VDV812-623	58163-2	Standard F Compression Connector - RG6	10
VDV812-624	58164-9	Standard F Compression Connector - RG6	50
VDV812-625	58165-6	F Push-On Connector - RG59	4
VDV812-626	58166-3	F Push-On Connector - RG6 - 6Q	4
VDV812-627	58167-0	F Push-On Connector - RG6 - 6Q	10

## Coax Splitters

Cat. No.	UPC #0-92644+	Description	Pack Qty.
VDV814-633	58173-1	2-Way Digital Cable Splitter - 5 MHz - 1 GHz	1
VDV814-634	58174-8	4-Way Digital Cable Splitter - 5 MHz - 1 GHz	1
VDV814-635	58175-5	8-Way Digital Cable Splitter - 5 MHz - 1 GHz	1
VDV814-636	58176-2	2-Way Satellite/Digital Cable Splitter - 5 MHz - 2.3 GHz	1
VDV814-637	58177-9	4-Way Satellite/Digital Cable Splitter - 5 MHz - 2.3 GHz	1
VDV814-638	58178-6	Satellite/TV Diplexer - 5 MHz - 2.3 GHz	1

## Coax Accessories

Cat. No.	UPC #0-92644+	Description	Pack Qty.
VDV814-629	58169-4	F to BNC Adapter	2
VDV814-630	58170-0	F to RCA Adapter	2
VDV814-609	58145-8	F-Splice Adapter - 3 GHz	10
VDV814-631	58171-7	90° F-Adapter - 3 GHz	2
VDV814-610	58146-5	F-Terminator	10

## Twisted Pair Connectors

Cat. No.	UPC #0-92644+	Description	Pack Qty.
VDV826-604	58140-3	UY IDC Connector - UY-26-22 AWG - 2-wire	25
VDV826-605	58141-0	UR IDC Connector - UR-26-19 AWG - 3-wire	25
VDV826-601	58137-3	Telephone Plug - RJ11 - 6P4C	25
VDV826-600	58136-6	Telephone Plug - RJ11 - 6P6C	25
VDV826-628	58168-7	Modular Data Plug - RJ45 - CAT5e	10
VDV826-602	58138-0	Modular Data Plug - RJ45 - CAT5e	50
VDV826-611	58147-2	Modular Data Plug - RJ45 - CAT5e	100
VDV826-603	58139-7	Modular Data Plug - RJ45 - CAT6	25
VDV824-632	58172-4	Strain Relief Boot for Modular Data Plug - RJ45	10

**KLEIN TOOLS**



See our complete line of  
**Voice/Data/Video**  
Tools, Testers & Connectors

[www.kleintools.com](http://www.kleintools.com)

Klein Tools, Inc. • 450 Bond Street • Lincolnshire • IL 60069-1418 • phone: 847-821-5500 • fax: 800-553-4876