



Chipsmall Limited consists of a professional team with an average of over 10 year of expertise in the distribution of electronic components. Based in Hongkong, we have already established firm and mutual-benefit business relationships with customers from,Europe,America and south Asia,supplying obsolete and hard-to-find components to meet their specific needs.

With the principle of “Quality Parts,Customers Priority,Honest Operation,and Considerate Service”,our business mainly focus on the distribution of electronic components. Line cards we deal with include Microchip,ALPS,ROHM,Xilinx,Pulse,ON,Everlight and Freescale. Main products comprise IC,Modules,Potentiometer,IC Socket,Relay,Connector.Our parts cover such applications as commercial,industrial, and automotives areas.

We are looking forward to setting up business relationship with you and hope to provide you with the best service and solution. Let us make a better world for our industry!



Contact us

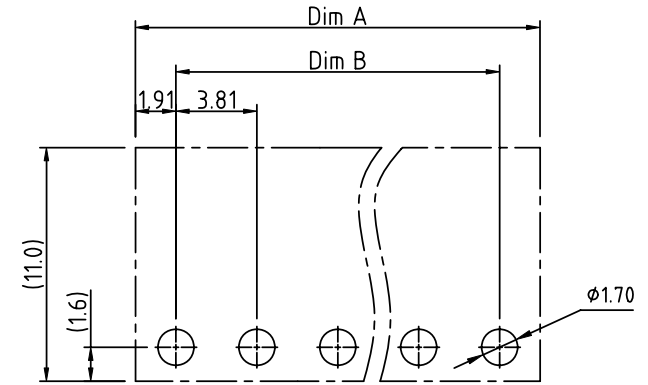
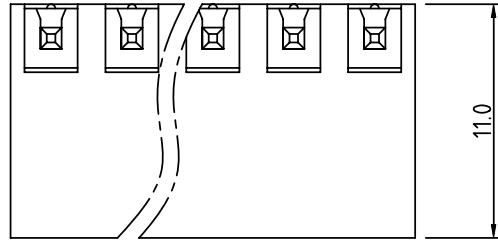
Tel: +86-755-8981 8866 Fax: +86-755-8427 6832

Email & Skype: info@chipsmall.com Web: www.chipsmall.com

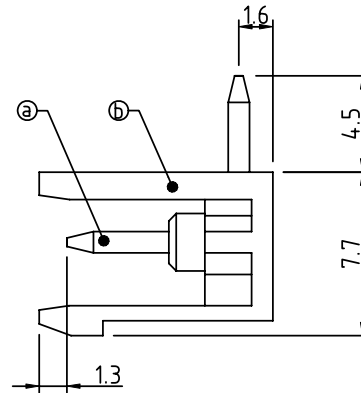
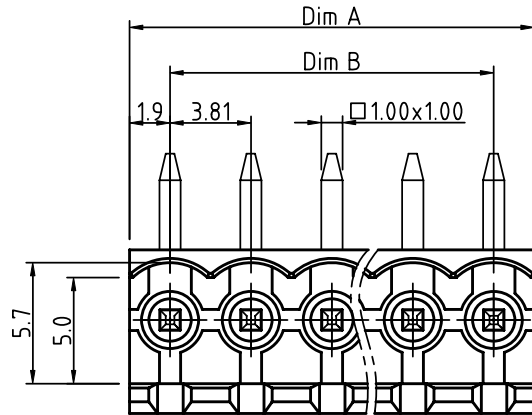
Address: A1208, Overseas Decoration Building, #122 Zhenhua RD., Futian, Shenzhen, China



PRODUCT NUMBER	PITCH
VExx30x100J0G	3.81 mm



RECOMMENDED P.C.B LAYOUT
TOP VIEW



Material:

- Item ① Contact pin: Copper, Tin plated
- Item ② Terminal(housing): Thermoplastic (UL94V-0)

Electrical:

- cULus
- Voltage rating: 300V
- Current rating: 8A
- Withstanding Voltage: 1.6 KV
- Operating temperature: -40°C to +115°C
- Soldering temperature: 260°C±5°C/5 Sec
- Safety Approval:

DIMENSION

Dim A	Nx3.81
Dim B	(N-1)X3.81

N= NUMBER OF POLES

Poles	Tolerance
2P-5P	±0.15
6P-10P	±0.20
11P-15P	±0.25
16P-20P	±0.30
21P-24P	±0.35

PART NO.: VE xx 30 x 1 00J0 G

Solid block	0	Color	2	Black (RAL9005)	RoHS compliant
No. of poles	2		3	Red (RAL3001/D)	(lead<4%)
02 2 poles	3		4	Orange(RAL2011/P)	In copper Alloy
03 3 poles	4		5	Yellow(RAL1018/A)	
...	5		6	Green(RAL6018/T)	
24 24 poles	6		8	Blue (RAL5015/A)	
	8		9	Grey(RAL7035/D)	
	9		C	White(RAL1102)	
	C			Green(RAL6018/U)	

mat'l. code		surface ASME Y14.5	tolerance ASME Y14.5	projection	product family
ltr	ecn no	dr	date		TERMINAL BLOCK
				MM	title
				scale	TERMINAL BLOCK
				dr	PLUGGABLE SOCKET, OPEN RIGHT-ANGLE
				enr	dwg no
				chr	sheet 1 of 1
				appd	size
					VExx30x100J0G
					A4
					type
					CUSTOMER Drawing
sheet index	revision	A			
	sheet	1			